

[54] WATER DISTILLER UNIT

[76] Inventor: Robert R. Hansrote, 4717 Lowell St., Lincoln, Nebr. 68501

[**] Term: 14 Years

[21] Appl. No.: 839,857

[22] Filed: Oct. 6, 1977

[51] Int. Cl. D23-01

[52] U.S. Cl. D23/3

[58] Field of Search D23/3; 202/83, 185 B, 202/202, 234

D. 236,463	8/1975	Giovagnoli	D23/3
3,055,810	9/1962	Skow	202/71
3,350,279	10/1967	Tolchin	202/83
3,830,705	8/1974	Dewegeli	202/83

Primary Examiner—James R. Largen
Attorney, Agent, or Firm—Louis J. Strom

[57] CLAIM

The ornamental design for a water distiller unit, substantially as shown and described.

DESCRIPTION

FIG. 1 is a perspective view taken from the top, front and left side of a water distiller unit showing my new design;

FIG. 2 is a right side elevational view thereof;

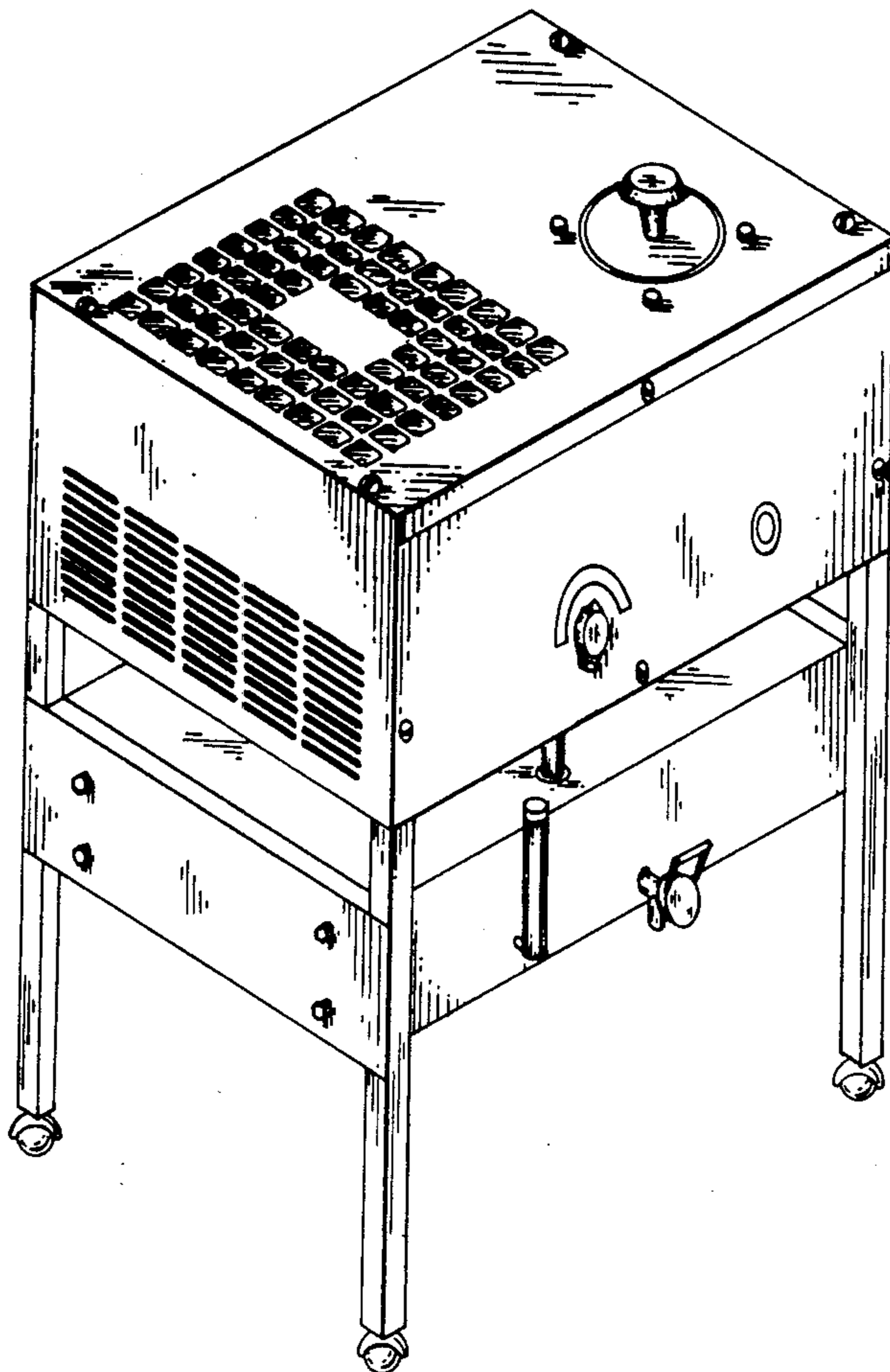
FIG. 3 is a rear elevational view thereof;

FIG. 4 is a bottom plan view thereof.

The center of the electric cord has been broken away in FIGS. 2, 3 and 4 to indicate indeterminate length.

[56] References Cited
U.S. PATENT DOCUMENTS

D. 121,017	6/1940	Newman	D10/81
D. 135,202	3/1943	Van Guilder	D23/3
D. 195,771	7/1963	Soussloff	D23/3
D. 228,642	10/1973	Chasteen et al.	D23/1



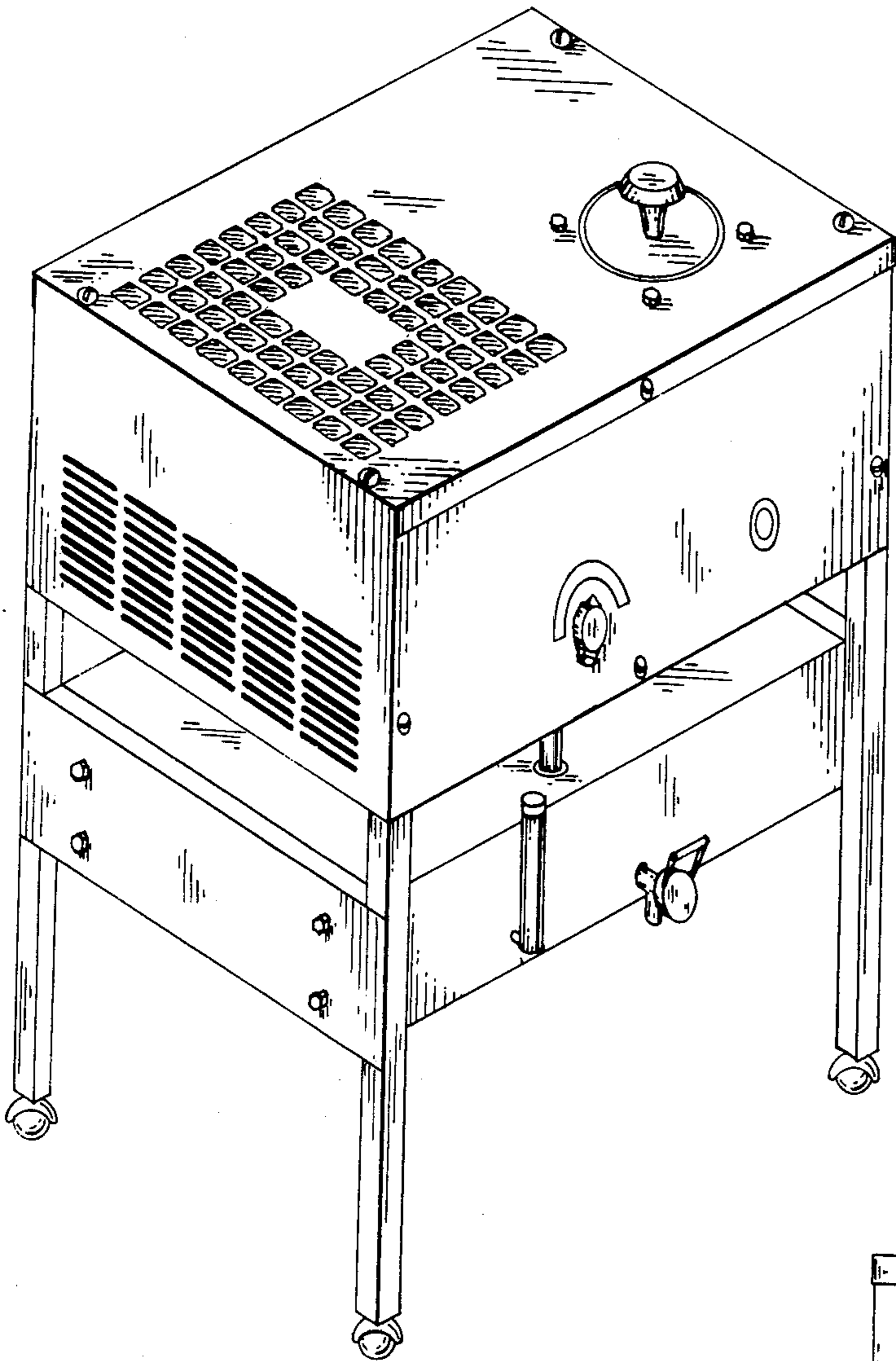


FIG. 1

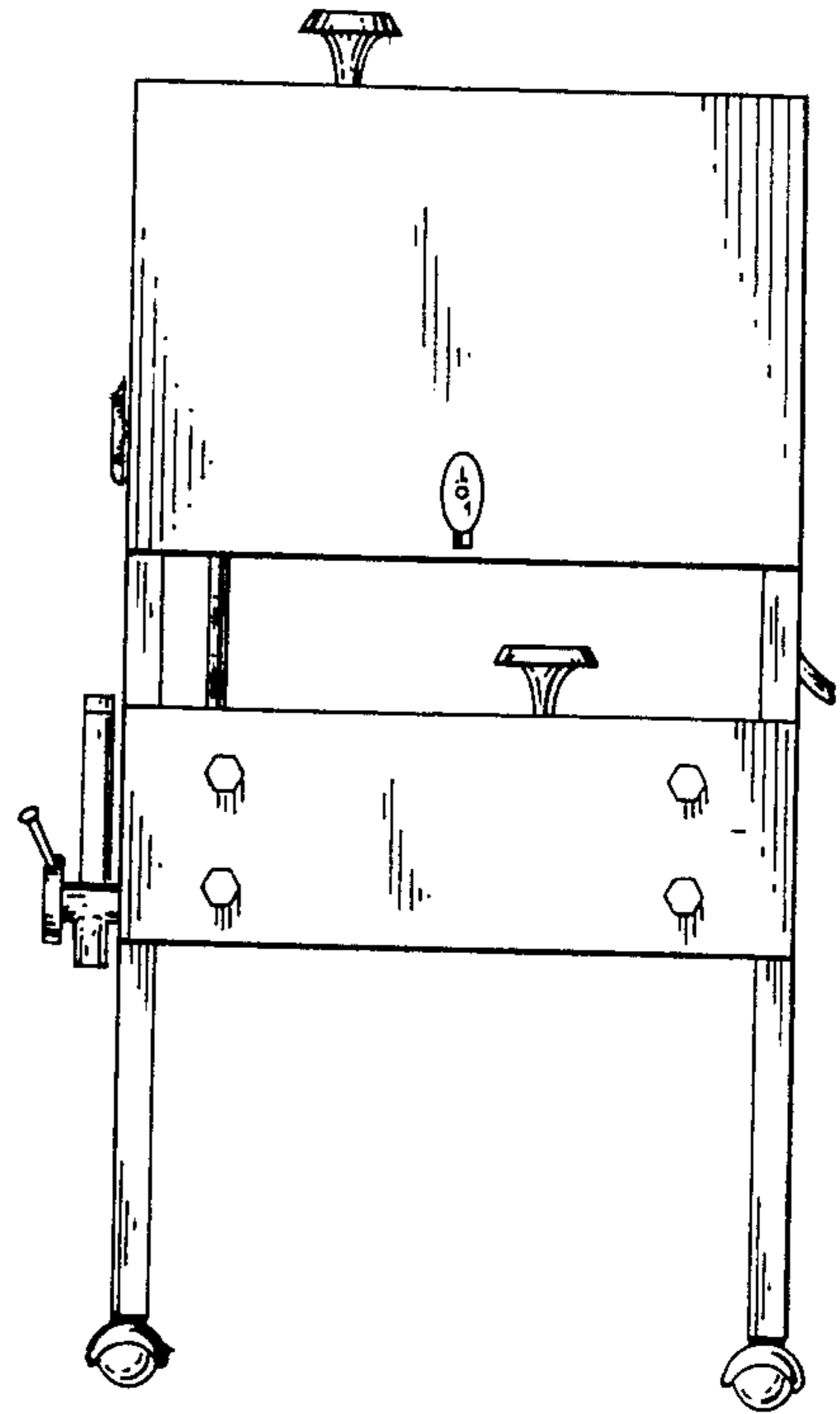


FIG. 2

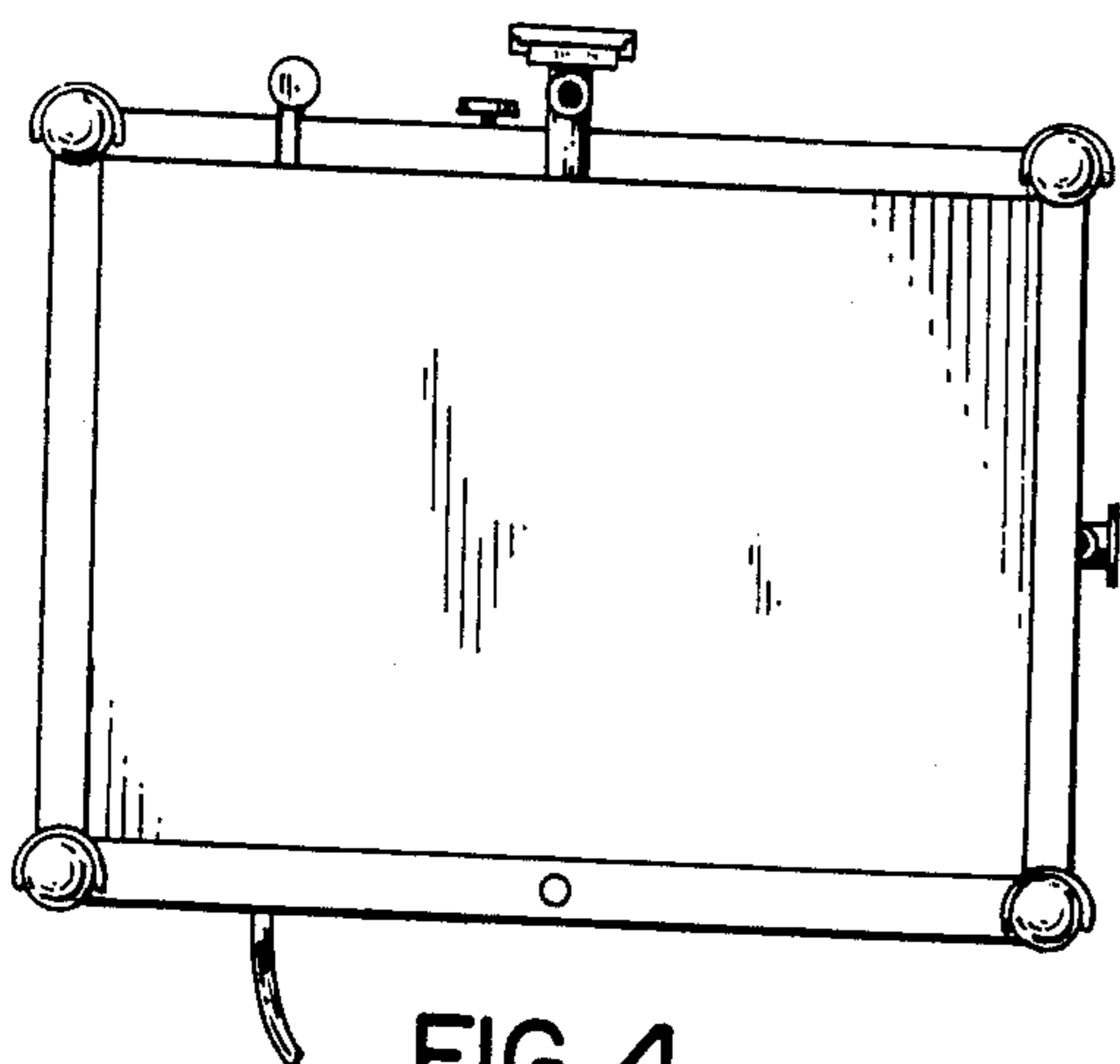


FIG. 4

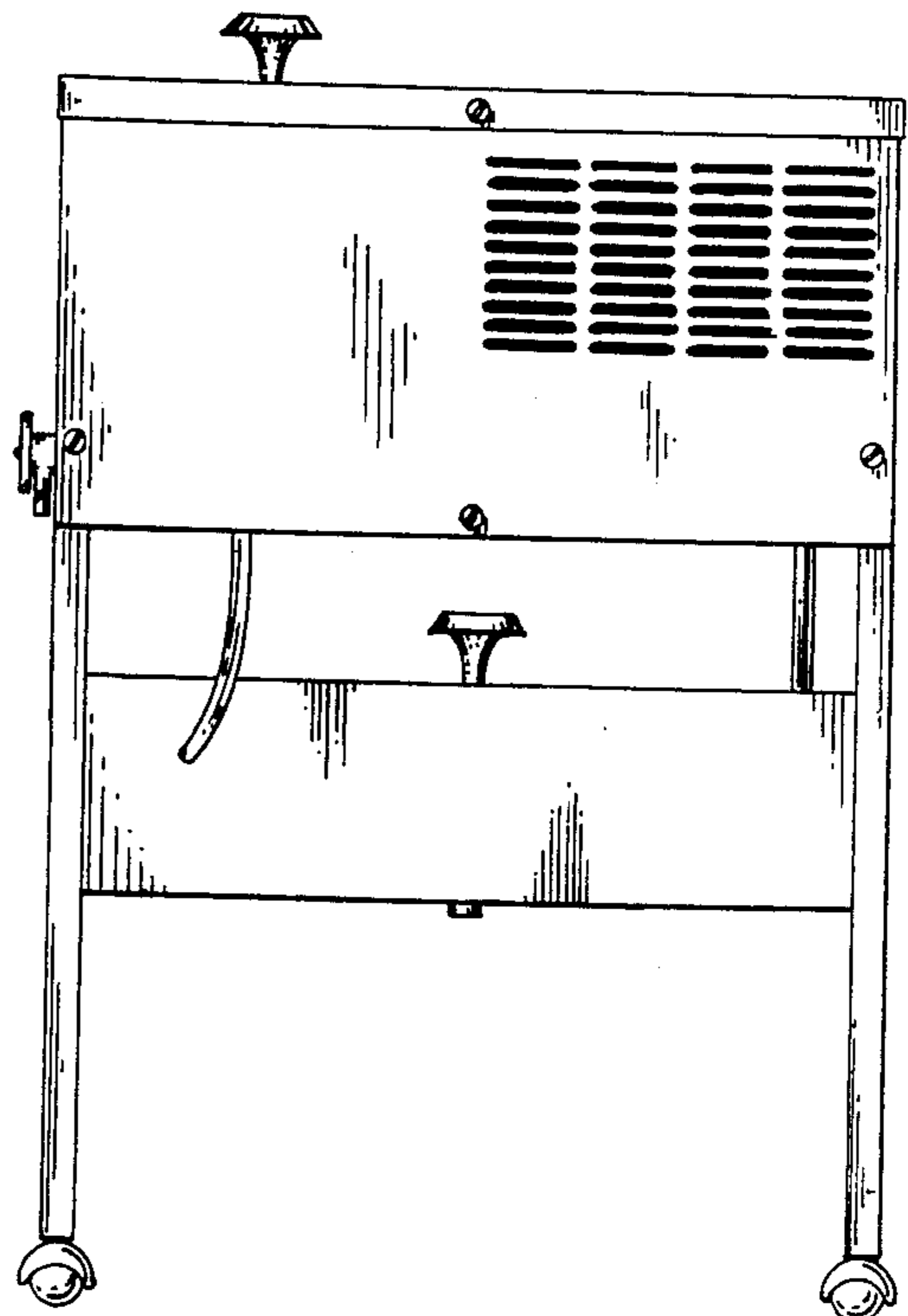


FIG. 3