

[54] WATER DISTILLER UNIT

[76] Inventor: Robert R. Hansrote, 4717 Lowell St., Lincoln, Nebr. 68501

[\*\*] Term: 14 Years

[21] Appl. No.: 839,853

[22] Filed: Oct. 6, 1977

[51] Int. Cl. .... D23-01

[52] U.S. Cl. .... D23/3

[58] Field of Search ..... D23/3; 202/83, 185 B, 202/202, 23 A

[56] References Cited

U.S. PATENT DOCUMENTS

D. 121,017	6/1940	Newman	.....	D10/81
D. 135,202	3/1943	Van Guilder	.....	D23/3
D. 195,771	7/1963	Soussloff	.....	D23/3
D. 228,642	10/1973	Chasteen et al.	.....	D23/1

D. 236,463	8/1975	Giovagnoli	.....	D23/3
3,055,810	9/1962	Skow	.....	202/71
3,350,279	10/1967	Tolchin	.....	202/83
3,830,705	8/1974	Dewegeli	.....	202/83

Primary Examiner—James R. Largen  
Attorney, Agent, or Firm—Louis J. Strom

[57] CLAIM

The ornamental design for a water distiller unit, substantially as shown and described.

DESCRIPTION

FIG. 1 is a perspective view taken from the top, front and left side of a water distiller unit showing my new design;

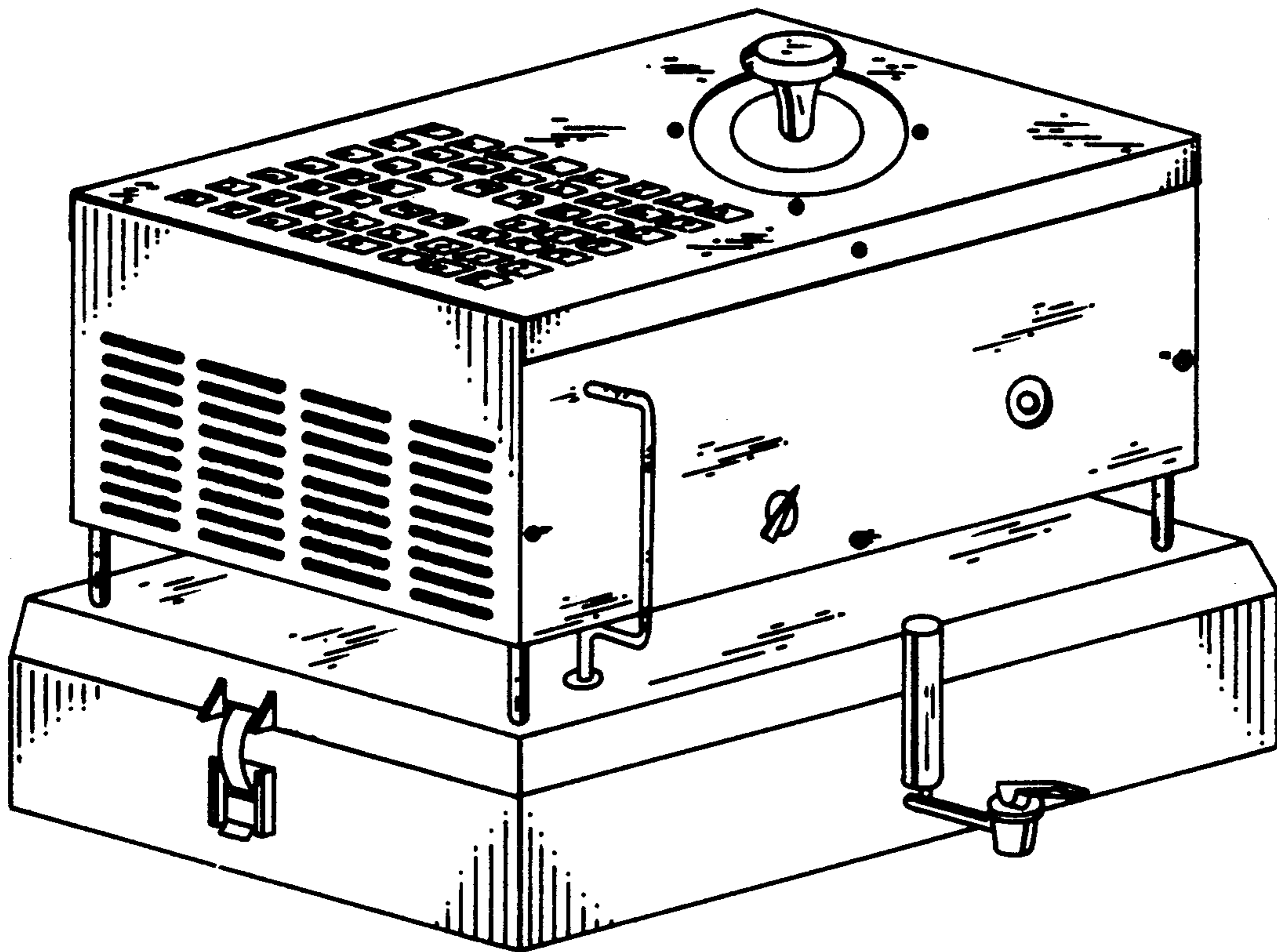
FIG. 2 is a front elevational view thereof;

FIG. 3 is a right side elevational view thereof;

FIG. 4 is a rear elevational view thereof; and

FIG. 5 is a bottom plan view thereof.

The center of the electric cord has been broken away in FIGS. 3, 4 and 5 to indicate indeterminate length.



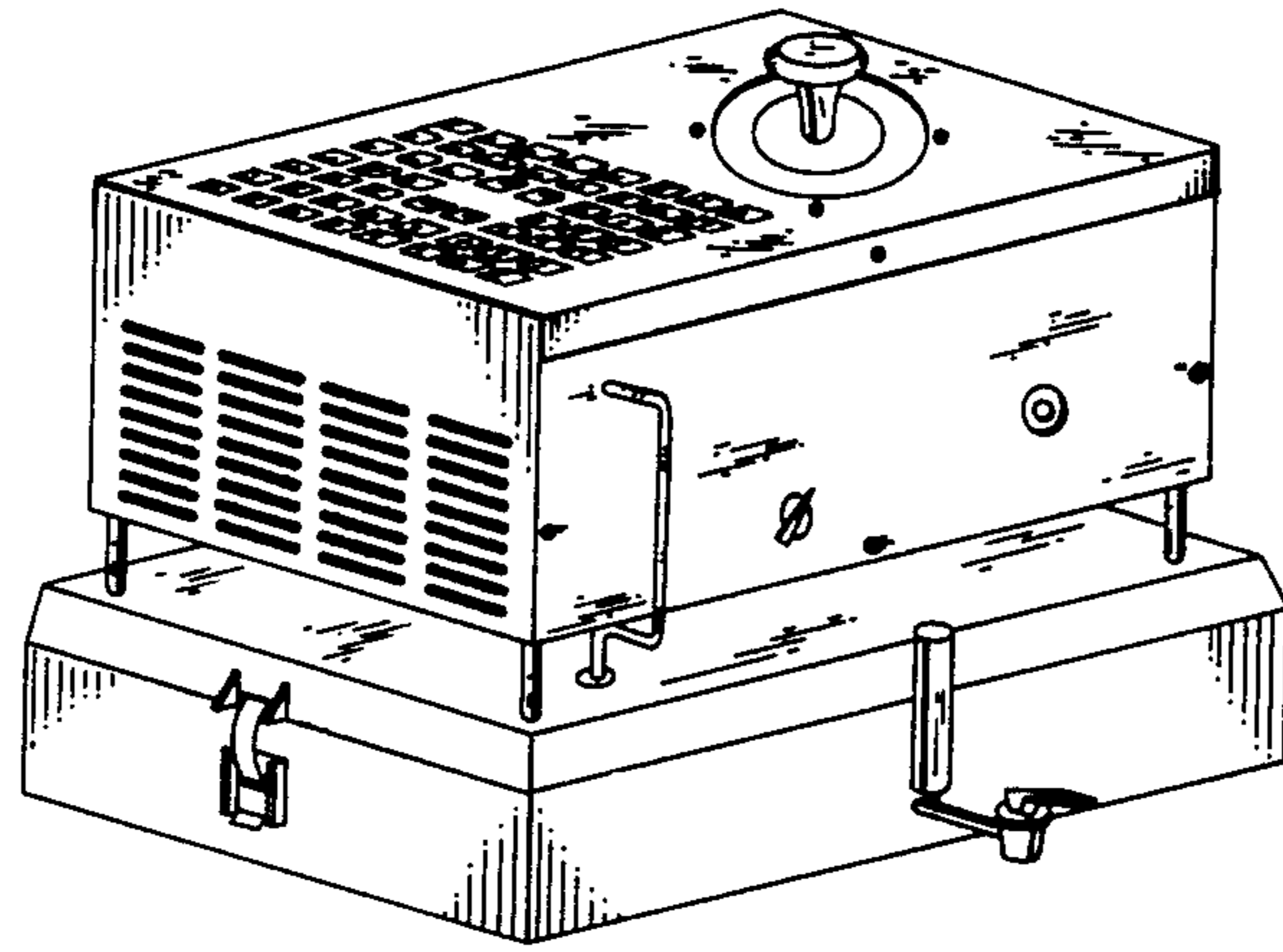


FIG. 1

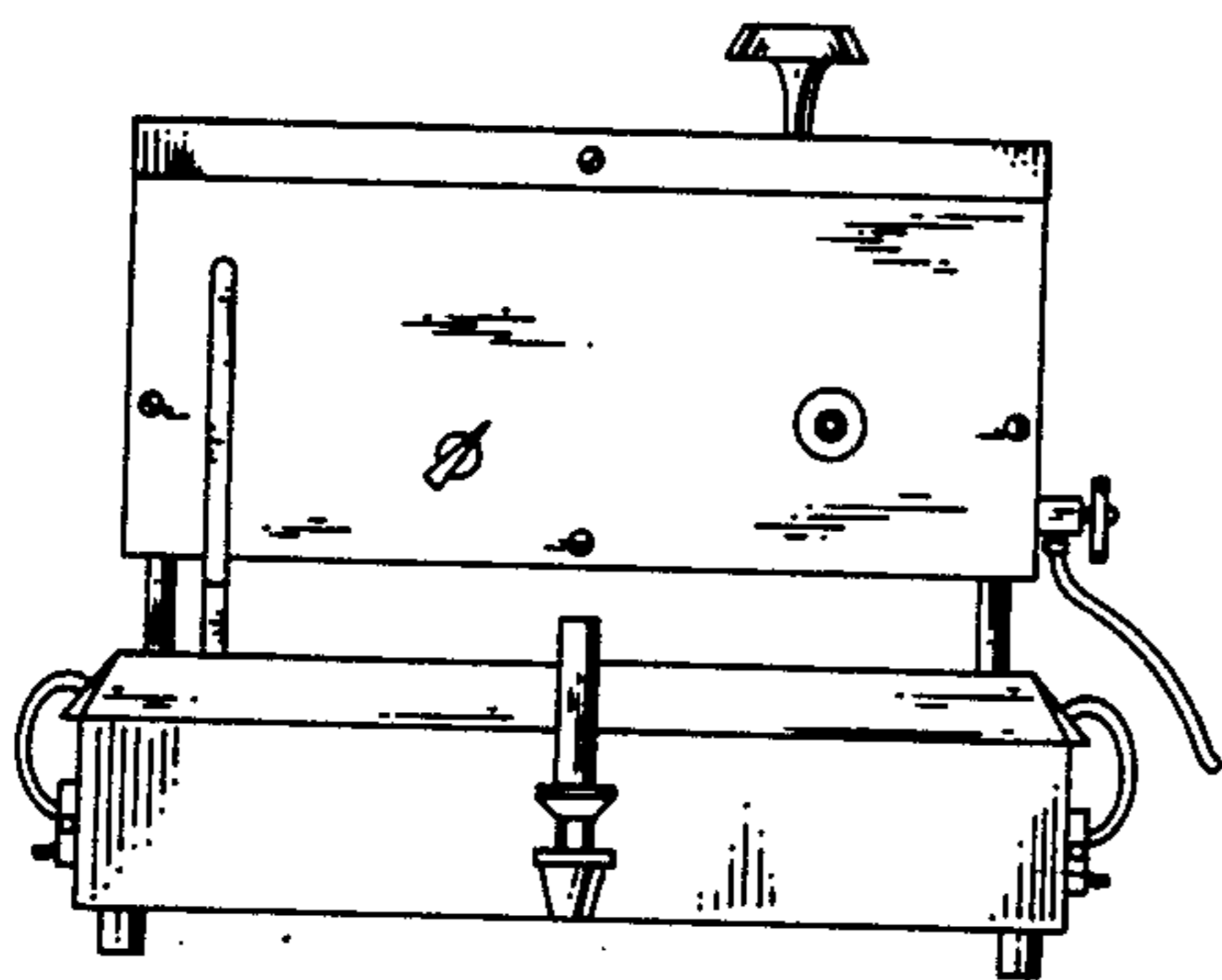


FIG. 2

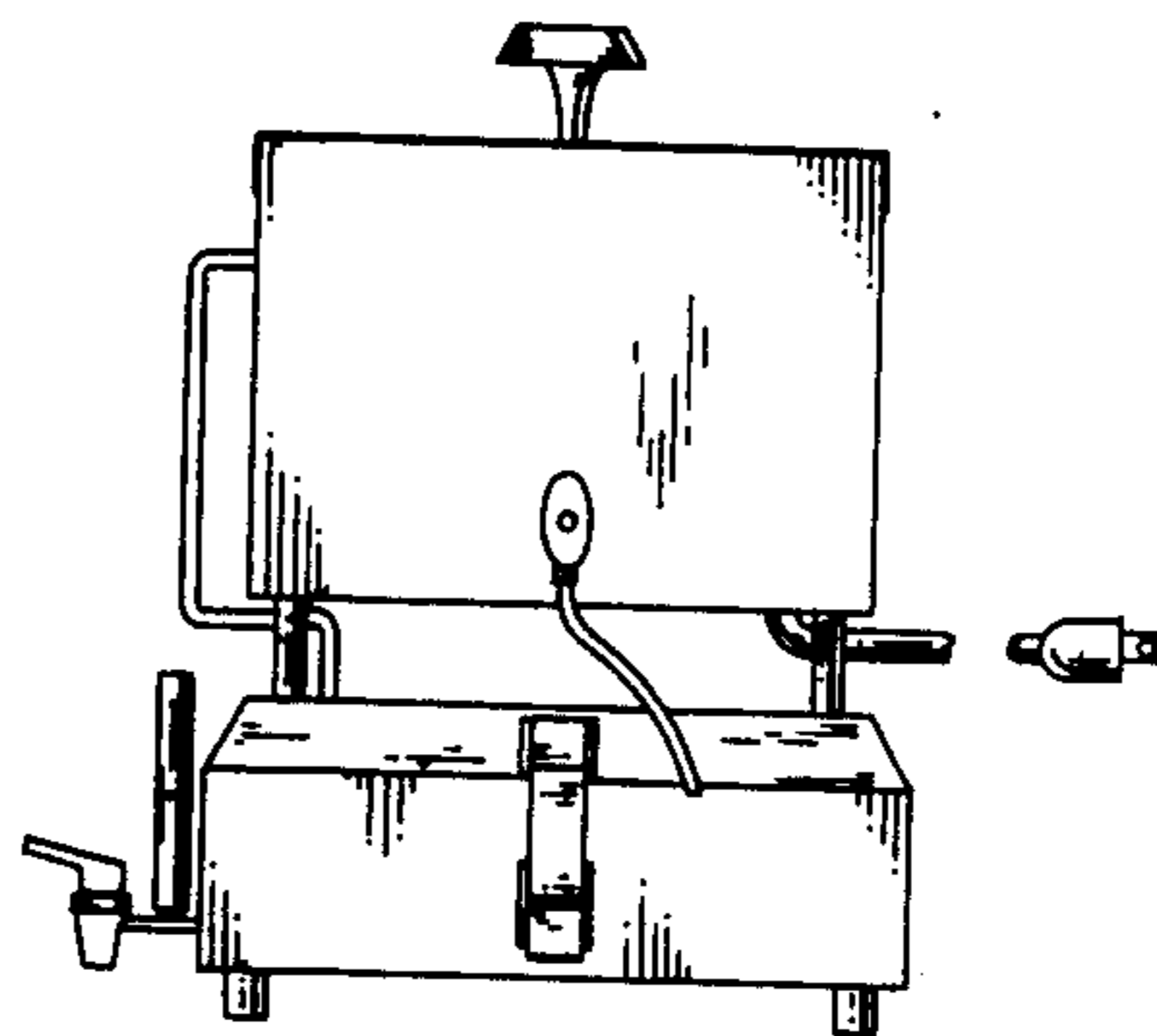


FIG. 3

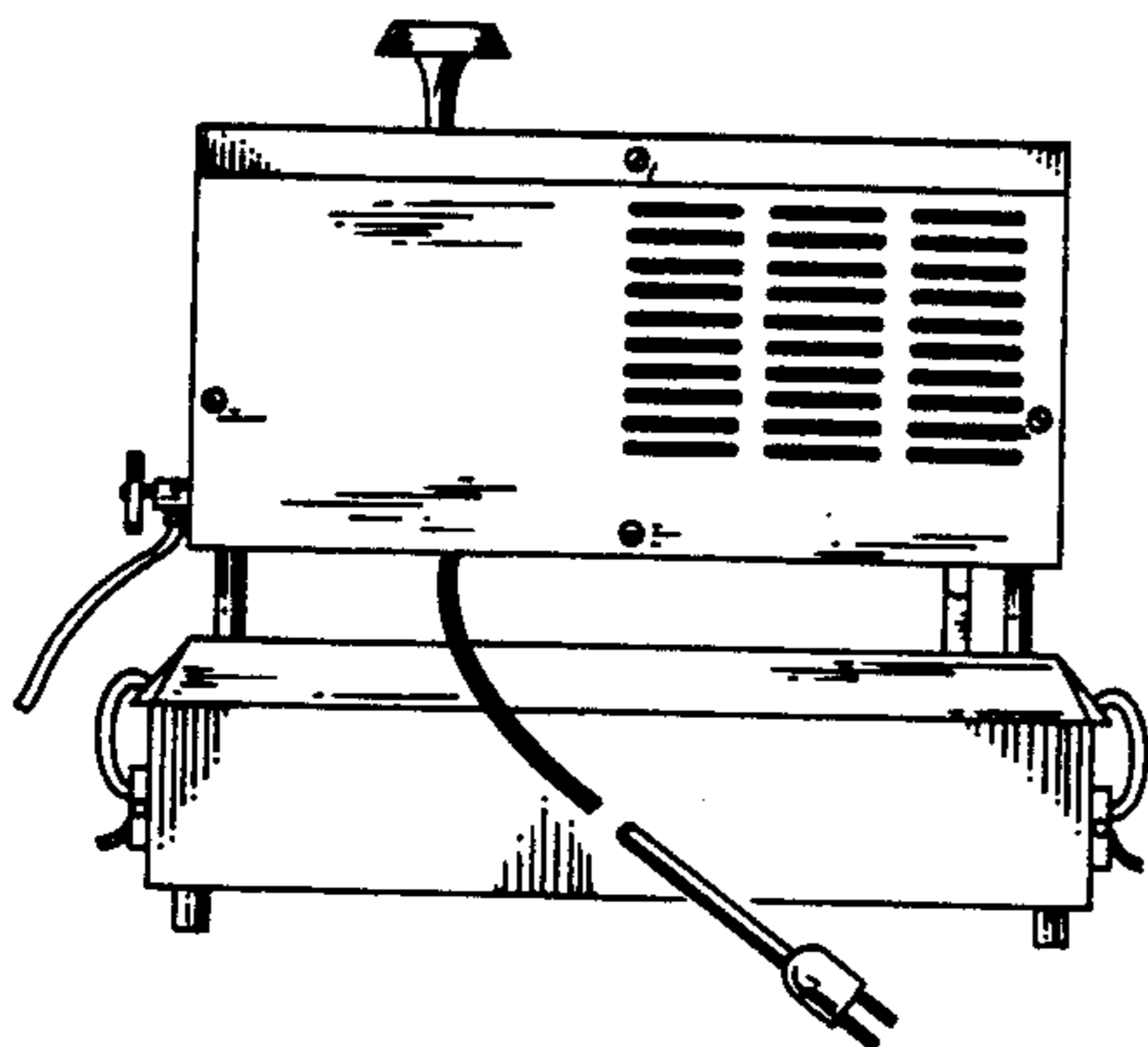


FIG. 4

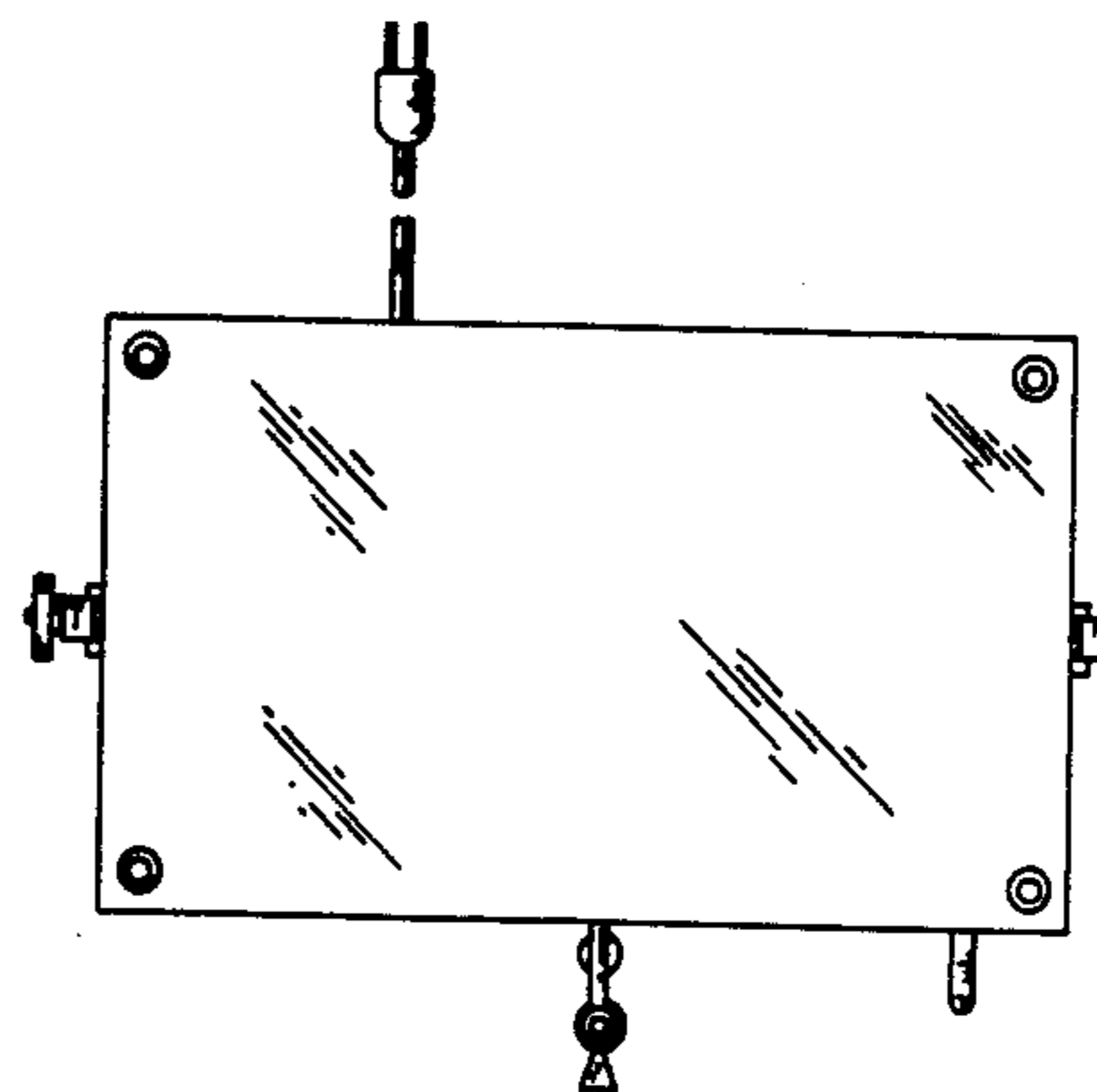


FIG. 5