

[54] RECYCLING APPARATUS

3,792,765 2/1974 Arp ..... 194/4 C

[76] Inventor: John H. Miller, 6412 E. Voltaire Ave., Scottsdale, Ariz. 85254

Primary Examiner—Alan P. Douglas  
Attorney, Agent, or Firm—William H. Drummond

[\*\*] Term: 14 Years

[57] CLAIM

[21] Appl. No.: 754,494

The ornamental design for a recycling apparatus, as shown.

[22] Filed: Dec. 27, 1976

DESCRIPTION

[51] Int. Cl.<sup>2</sup> ..... D25—03; D15—09

FIG. 1 is a perspective view of the recycling apparatus of the present invention;

[52] U.S. Cl. .... D15/123; D25/22; D25/30; D25/33

FIG. 2 is a front end view of the apparatus of the present invention;

[58] Field of Search ..... D15/123, 122; 194/4 C; D25/1, 16, 22, 30, 33

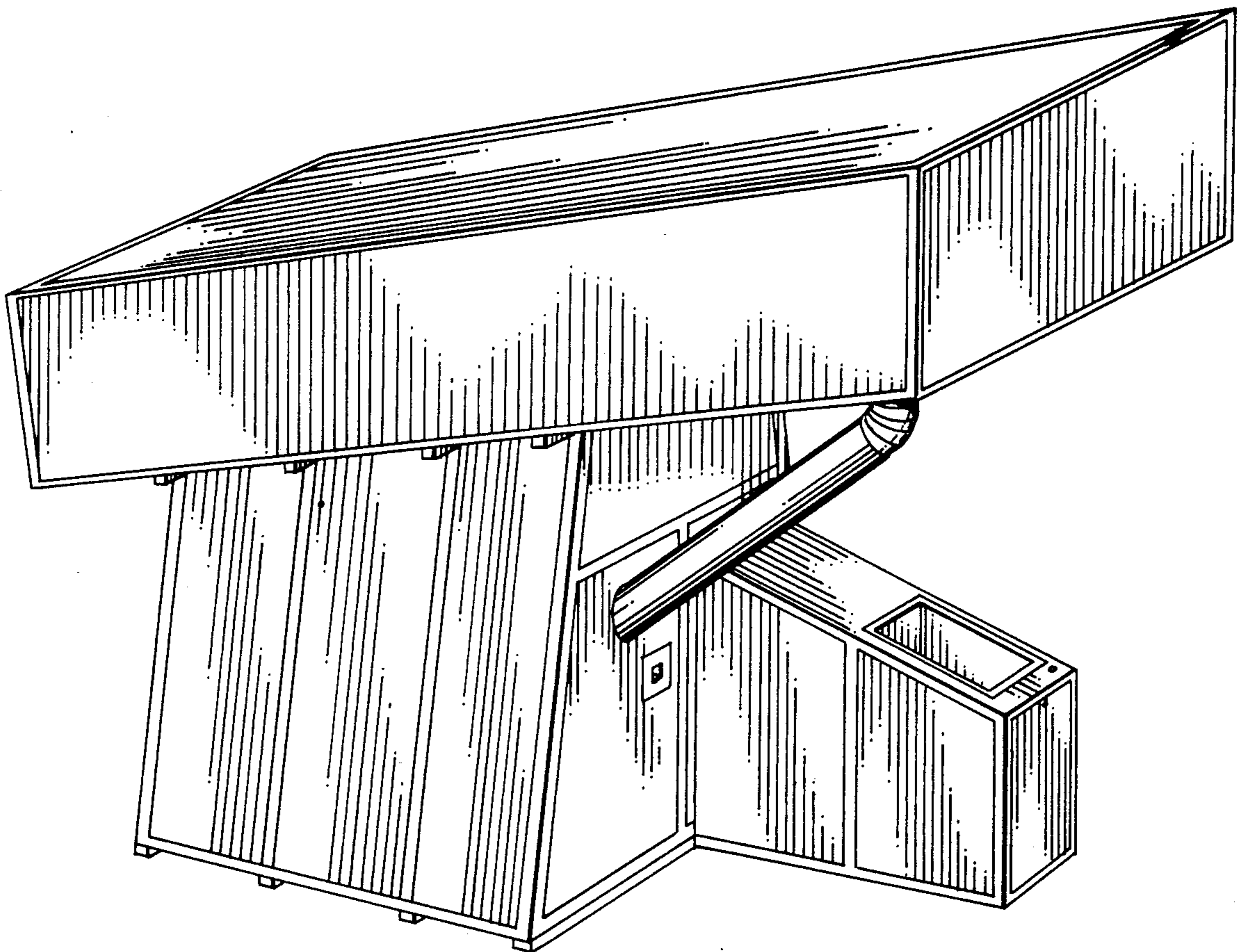
FIG. 3 is a perspective view of the apparatus of the present invention as viewed from beneath the apparatus;

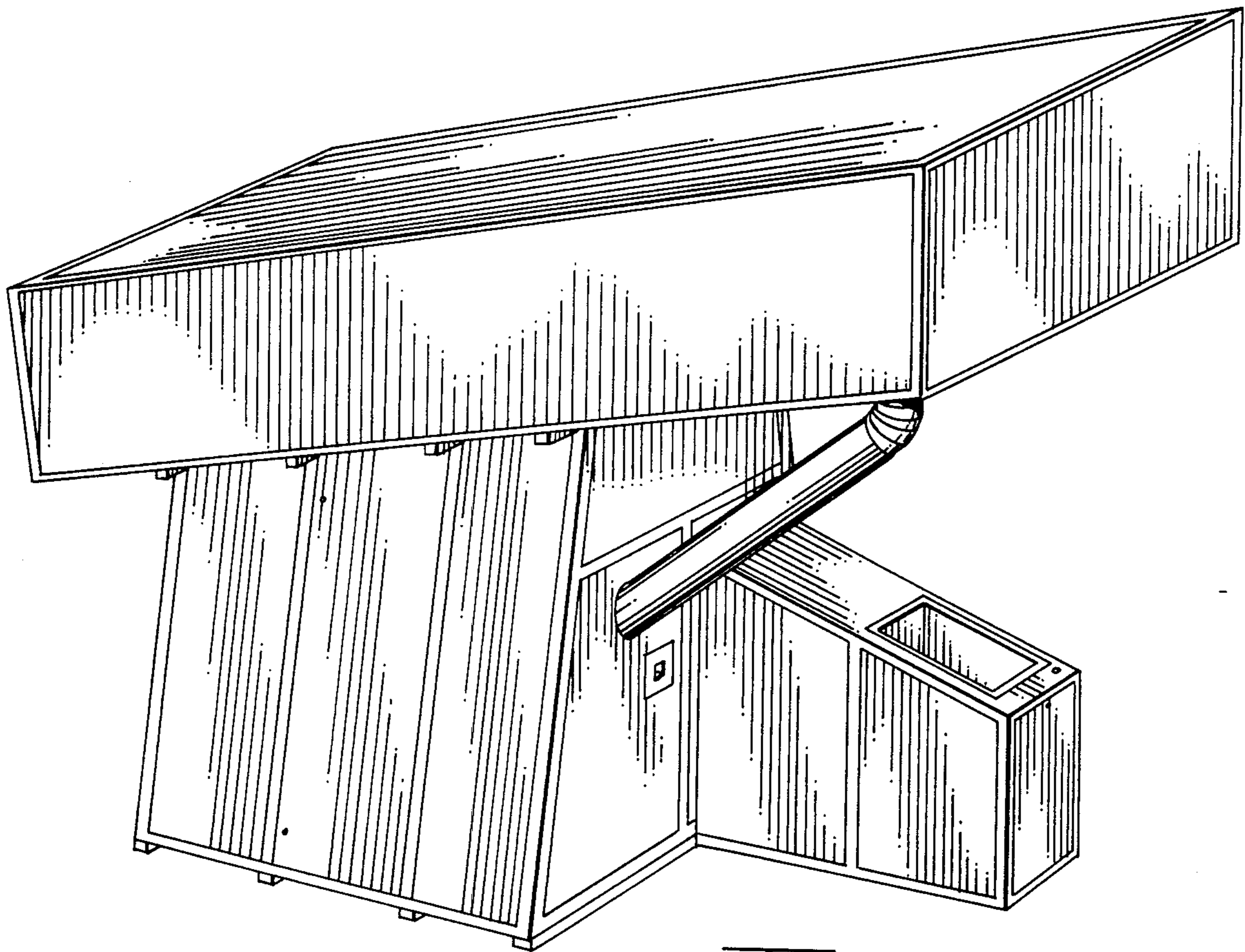
[56] References Cited

U.S. PATENT DOCUMENTS

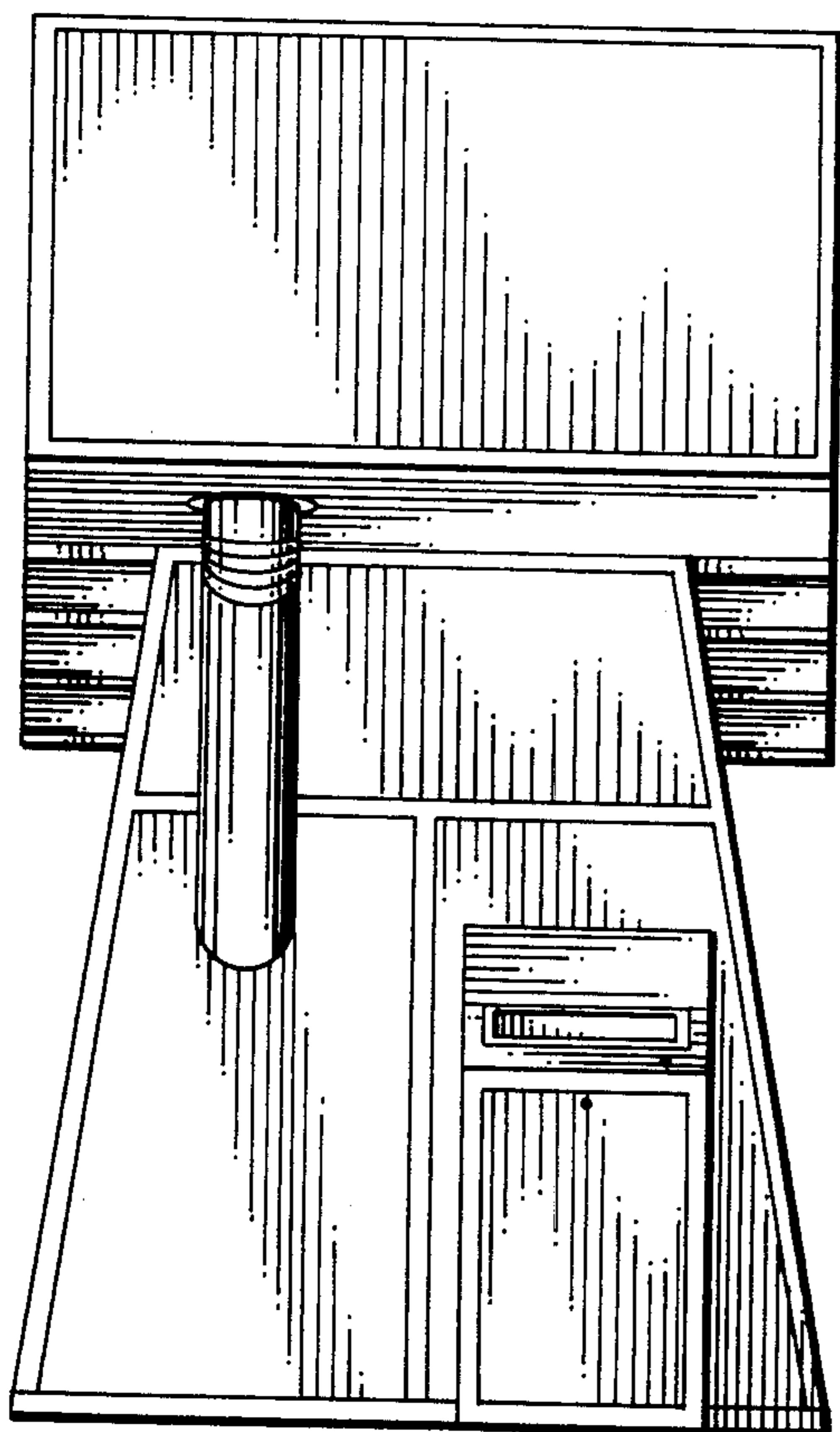
D. 168,144 11/1952 Cooper et al. .... D25/33  
D. 188,131 6/1960 Smith ..... D15/123

FIG. 4 is a side elevational view; and  
FIG. 5 is a view of the rear end of the apparatus of the present invention.





*FIG. 1*



*FIG. 2*

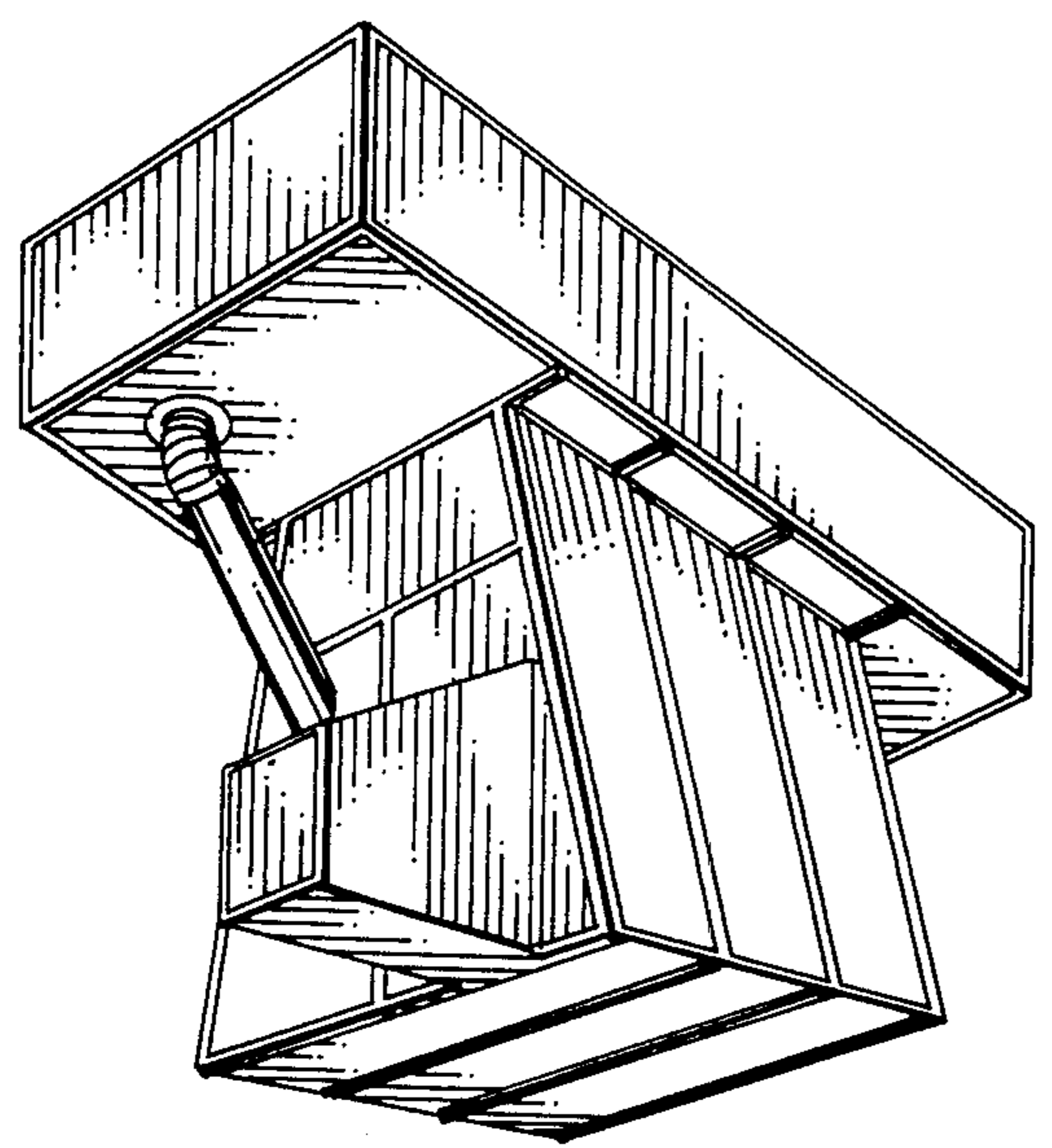


FIG. 3

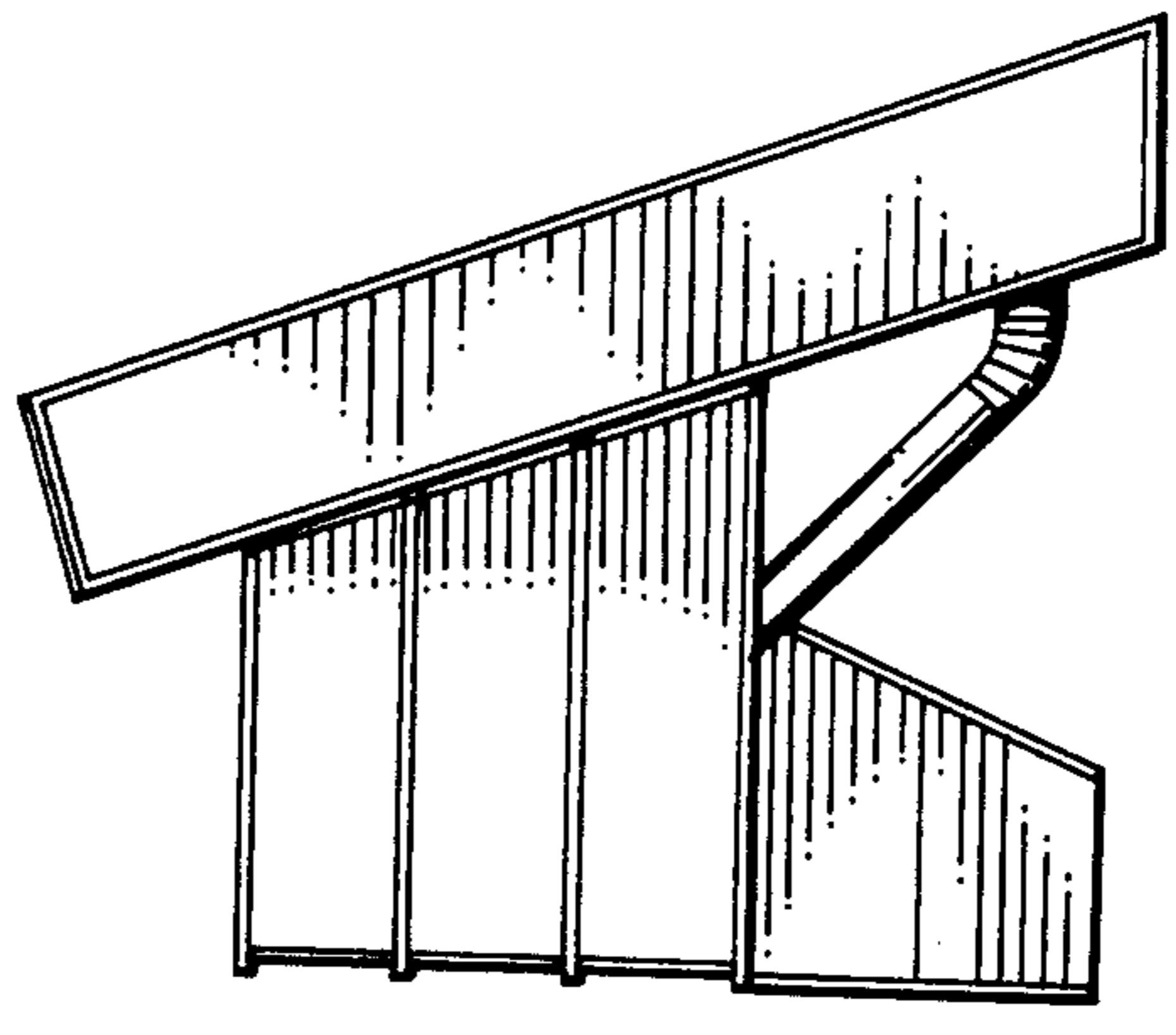


FIG. 4

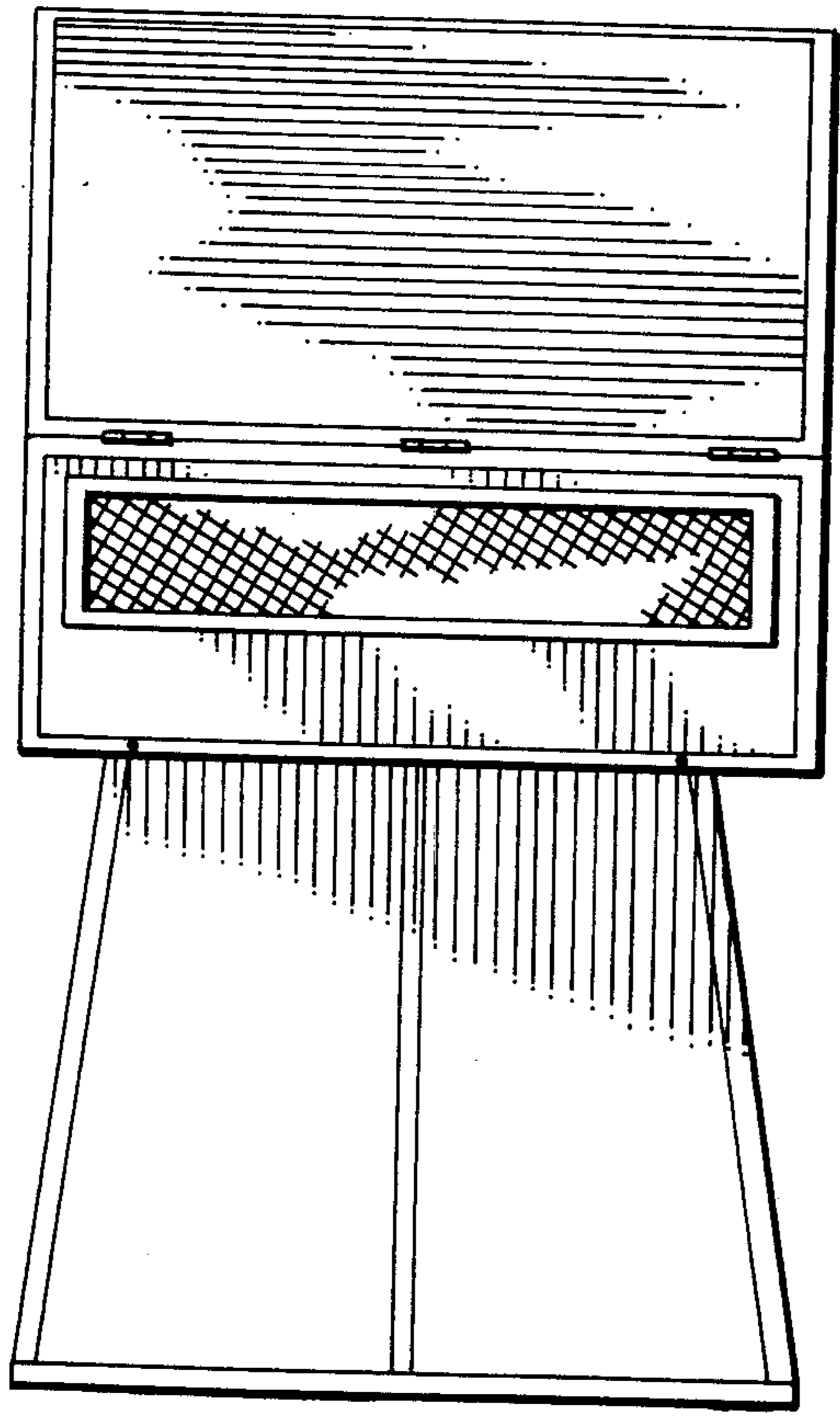


FIG. 5