

[54] **FOOD SLICER WITH INDEXING TURRET**

[75] Inventor: **Samuel J. Popeil**, Chicago, Ill.

[73] Assignee: **Popeil Brothers, Inc.**, Chicago, Ill.

[**] Term: **14 Years**

[21] Appl. No.: **704,079**

[22] Filed: **Jul. 9, 1976**

[51] Int. Cl. **D7-04; D15-08**

[52] U.S. Cl. **D15/97; D7/106**

[58] Field of Search 83/699, 720, 78, 105,
83/158, 401, 418, 420, 703; D7/106, 153;
D15/95, 97

[56] **References Cited**

U.S. PATENT DOCUMENTS

D. 148,703 2/1948 Ingram et al. D7/153
D. 156,836 1/1950 McVicker D7/153

D. 185,461 6/1959 Popeil D7/106

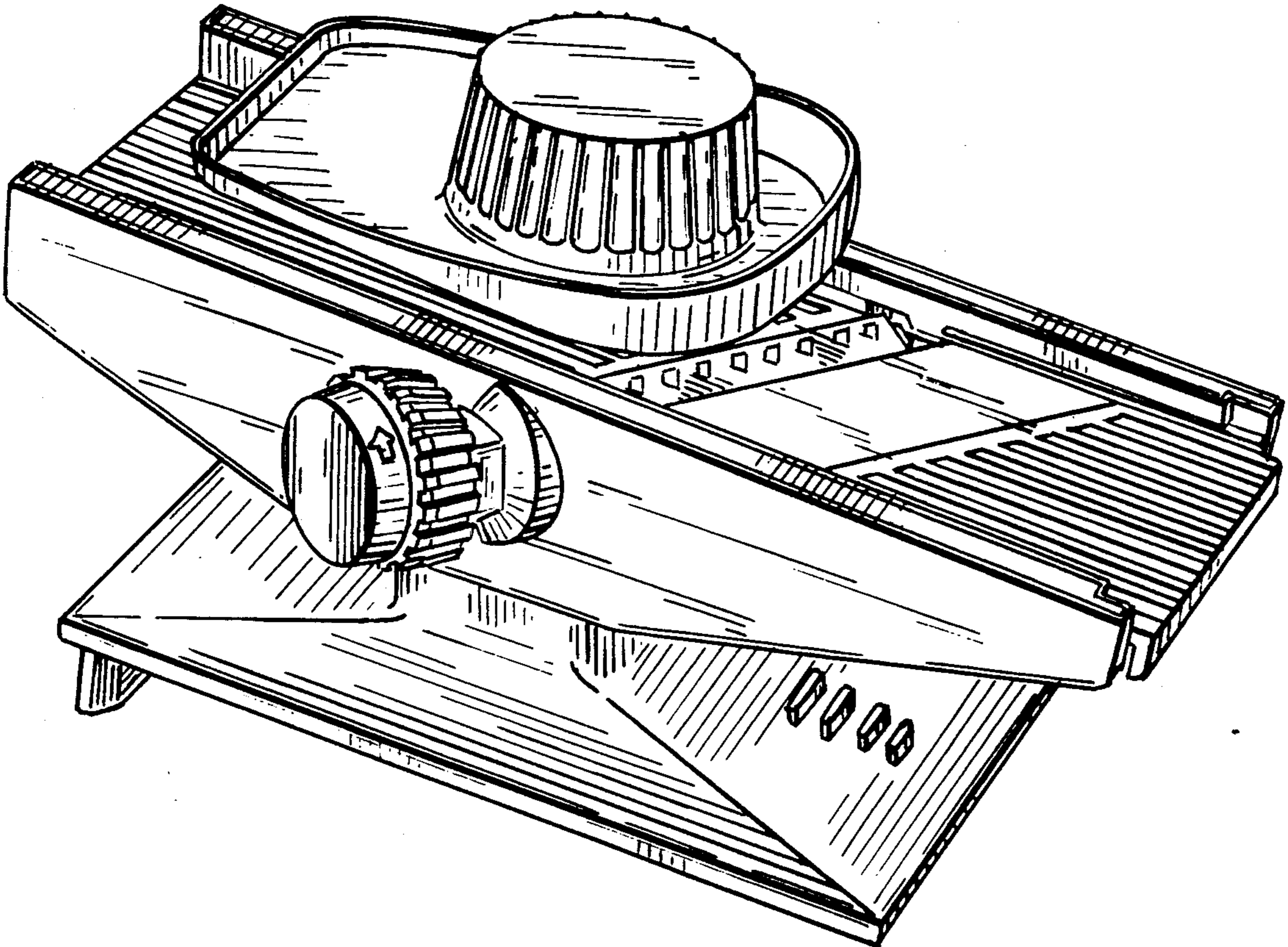
Primary Examiner—Bernard Ansher
Assistant Examiner—Catherine Kemper
Attorney, Agent, or Firm—Jack E. Dominik

[57] **CLAIM**

The ornamental design for a food slicer with indexing turret, as shown and described.

DESCRIPTION

FIG. 1 is a perspective view of a food slicer with indexing turret, showing my new design;
FIG. 2 is a front elevational view thereof, shown on an enlarged scale;
FIG. 3 is a top plan view thereof;
FIG. 4 is a right side elevational view thereof;
FIG. 5 is a left side elevational view thereof;
FIG. 6 is a rear elevational view thereof.
The pusher element has been omitted from FIGS. 2 - 6 for convenience of illustration.



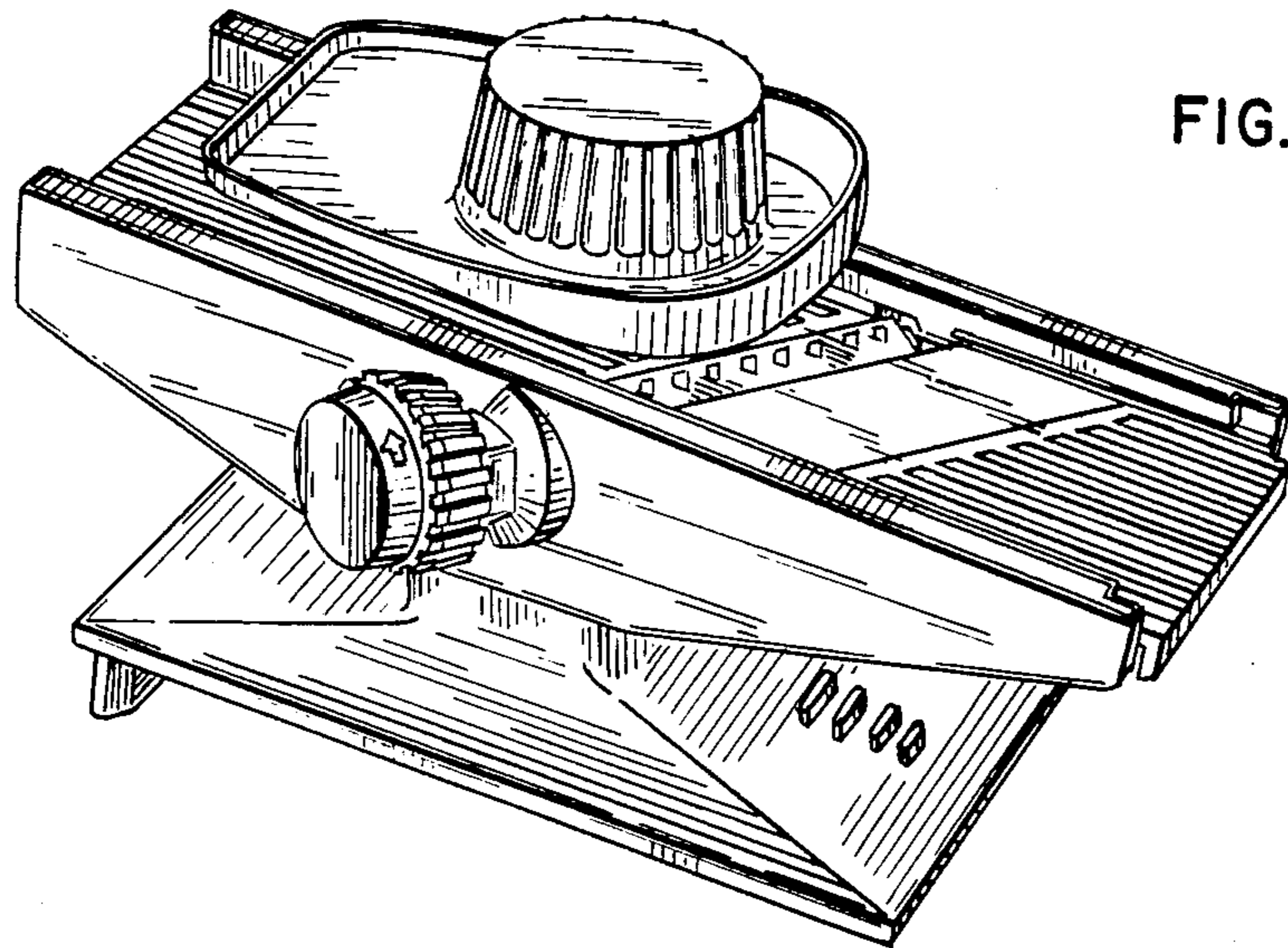
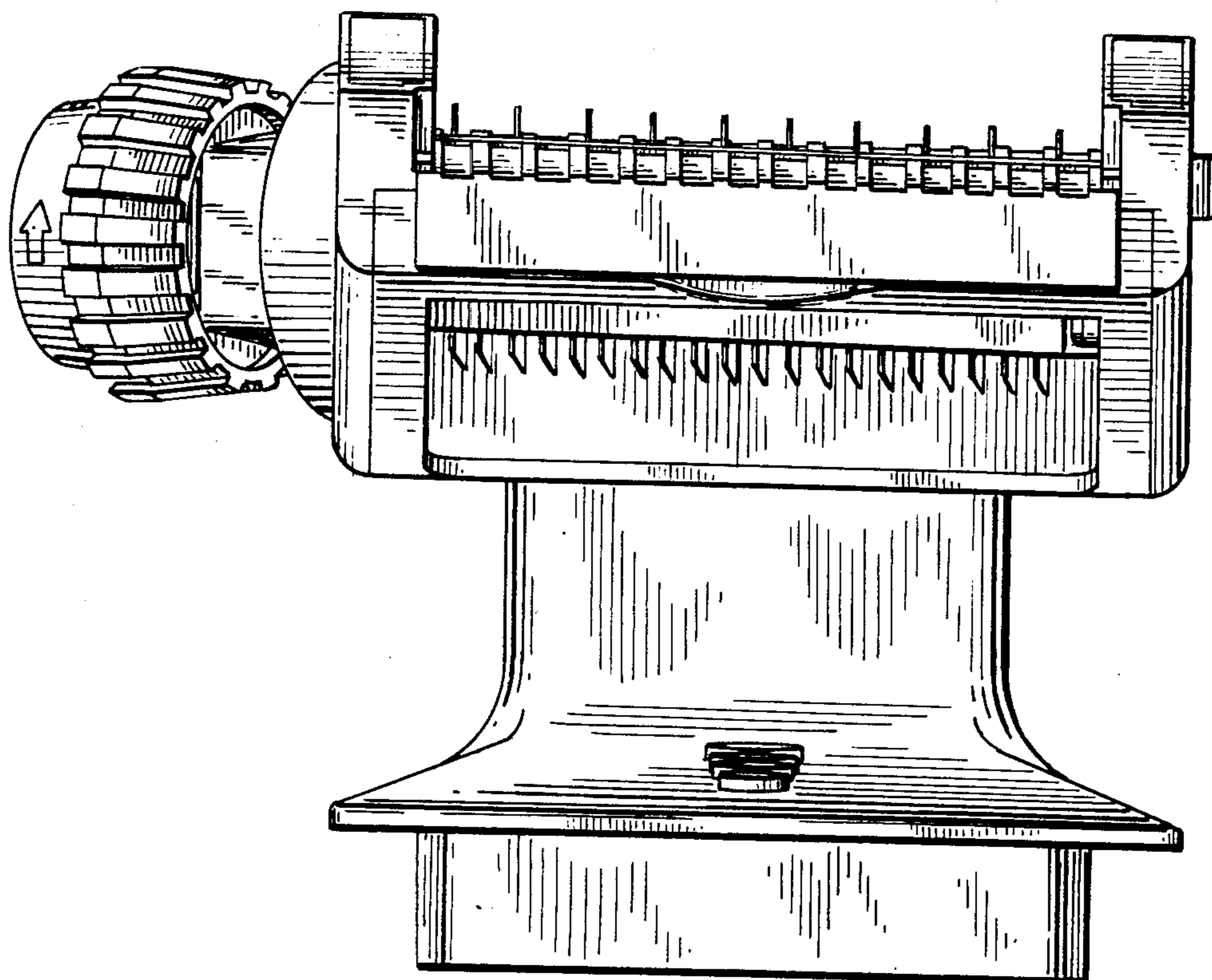


FIG. 1

FIG. 2



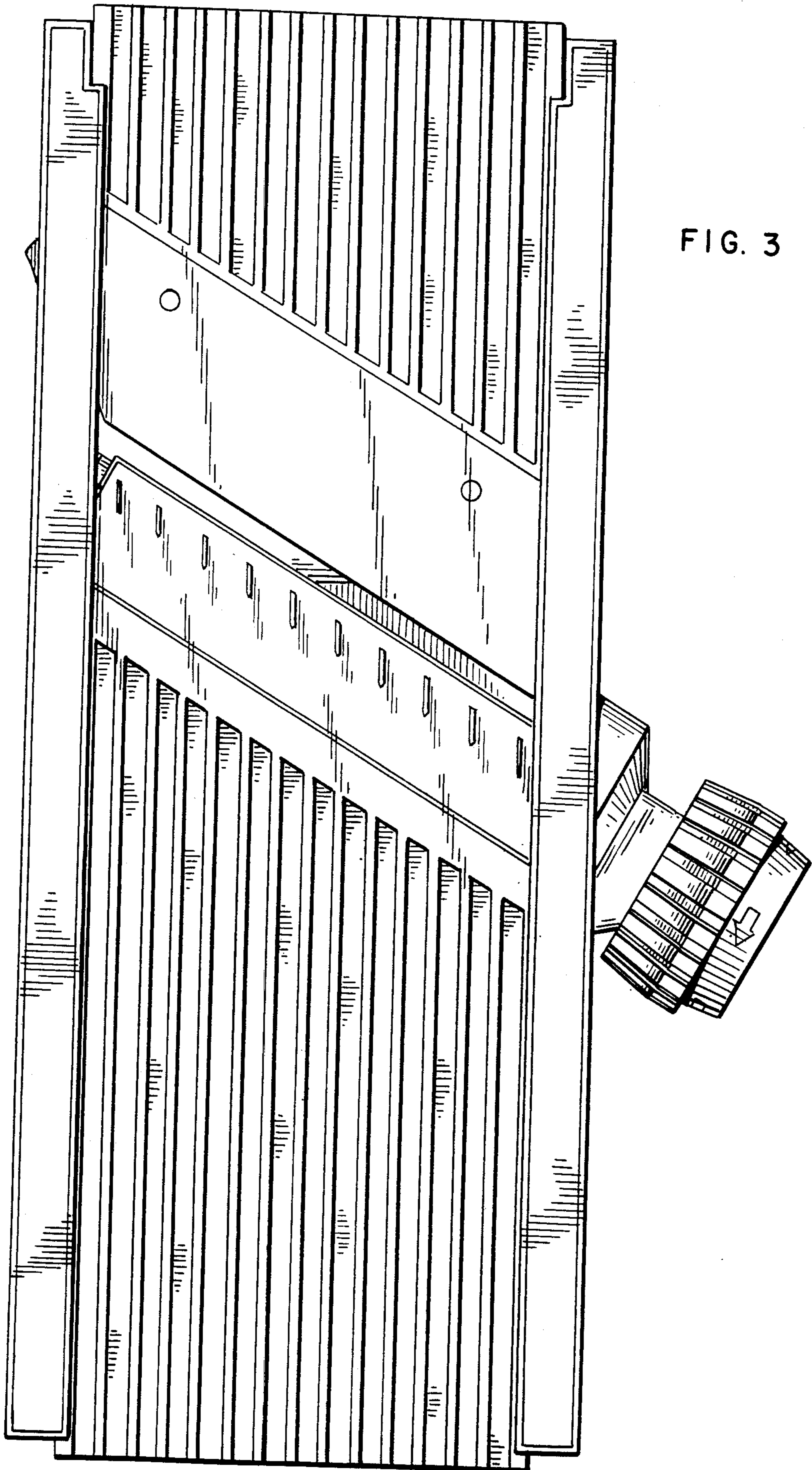


FIG. 4

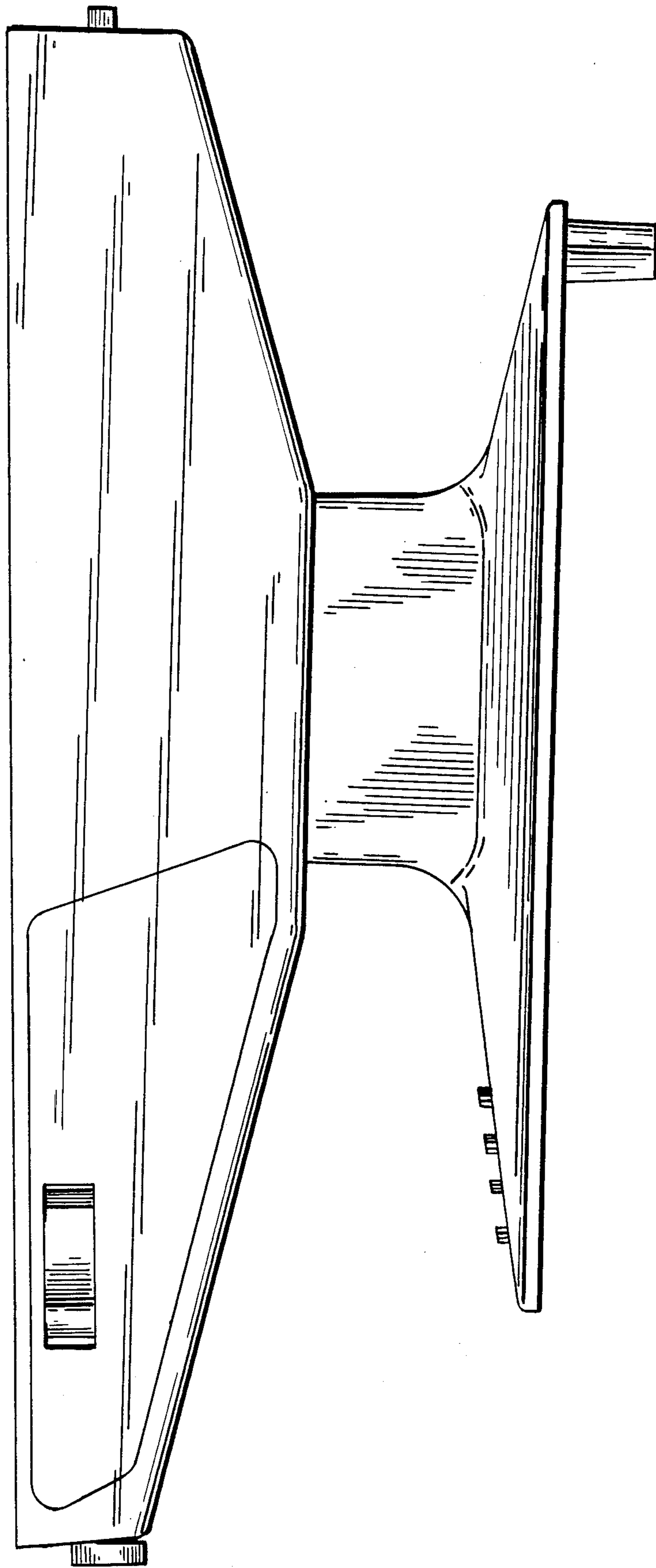


FIG. 5

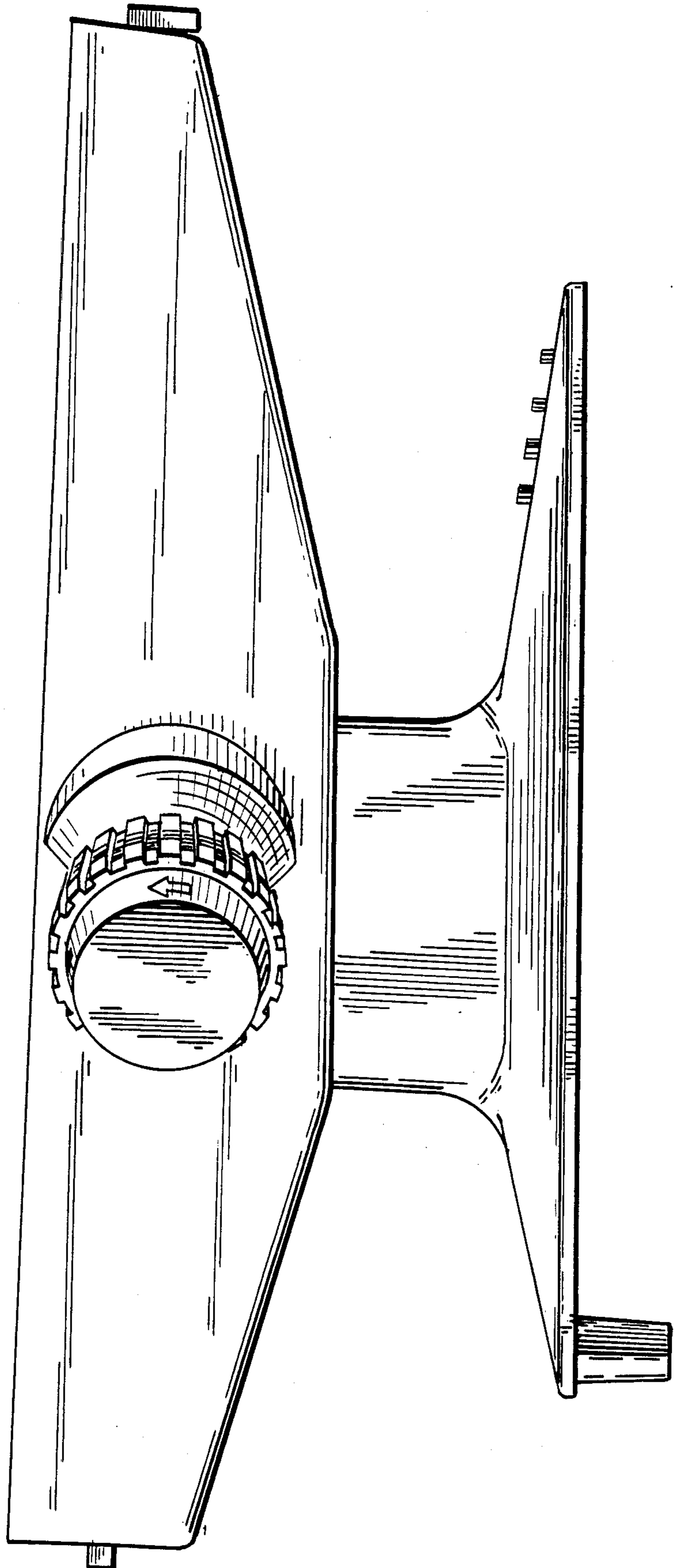


FIG. 6

