

[54] SPRAY CLEANING UNIT

[76] Inventor: Thomas J. McMullen, 5529 Park Ave. South, Minneapolis, Minn. 55417

[\*\*] Term: 14 Years

[21] Appl. No.: 681,023

[22] Filed: Apr. 28, 1976

[51] Int. Cl. .... D15-05

[52] U.S. Cl. .... D15/34; D15/52; D23/2

[58] Field of Search ..... D15/7-9, D15/34, 52; D23/2; 134/98, 99, 172, 198; 222/135, 136, 144.5, 145

[56] References Cited

U.S. PATENT DOCUMENTS

D. 95,724 5/1935 Anderson ..... D15/34  
D. 107,465 12/1937 Tucker ..... D15/7

D. 131,895 3/1942 Pratt ..... D15/7  
D. 144,482 4/1946 Davis et al. .... D15/7  
D. 188,068 5/1960 Snyder ..... D15/34  
D. 204,369 4/1966 Trombetta ..... D15/34  
D. 211,901 8/1968 Pingatore ..... D15/34  
D. 217,021 3/1970 Chapman ..... D15/34  
D. 239,048 3/1976 Hewett ..... D15/34

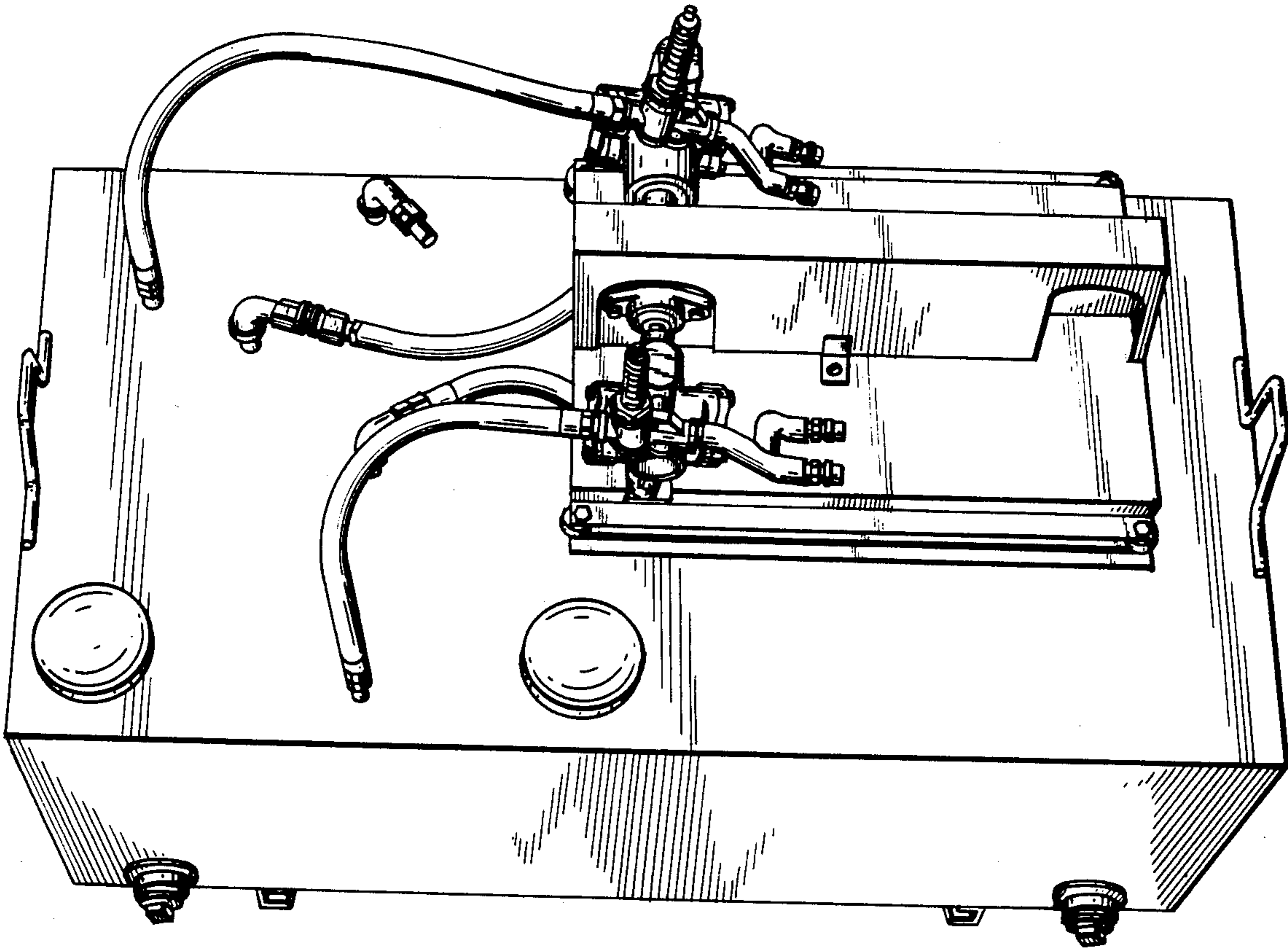
Primary Examiner—James R. Largen  
Attorney, Agent, or Firm—Ralph F. Merchant

[57] CLAIM

The ornamental design for a spray cleaning unit, substantially as shown.

DESCRIPTION

FIG. 1 is a perspective view taken from the top and front of a spray cleaning unit showing my new design; FIG. 2 is a front elevational view thereof; FIG. 3 is a rear elevational view thereof; FIG. 4 is a left side elevational view thereof; FIG. 5 is a right side elevational view thereof; and FIG. 6 is a bottom plan view thereof.



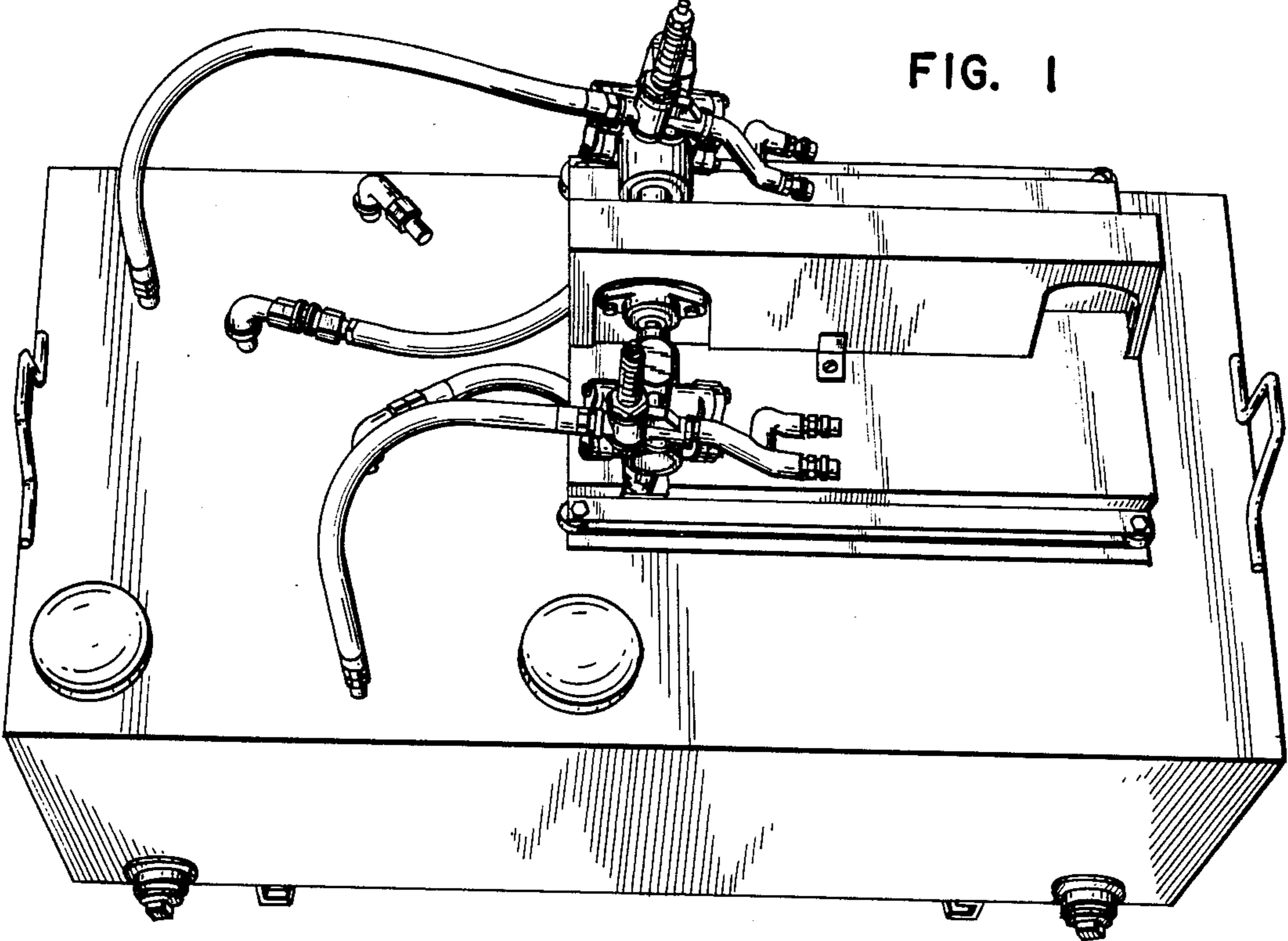


FIG. 2

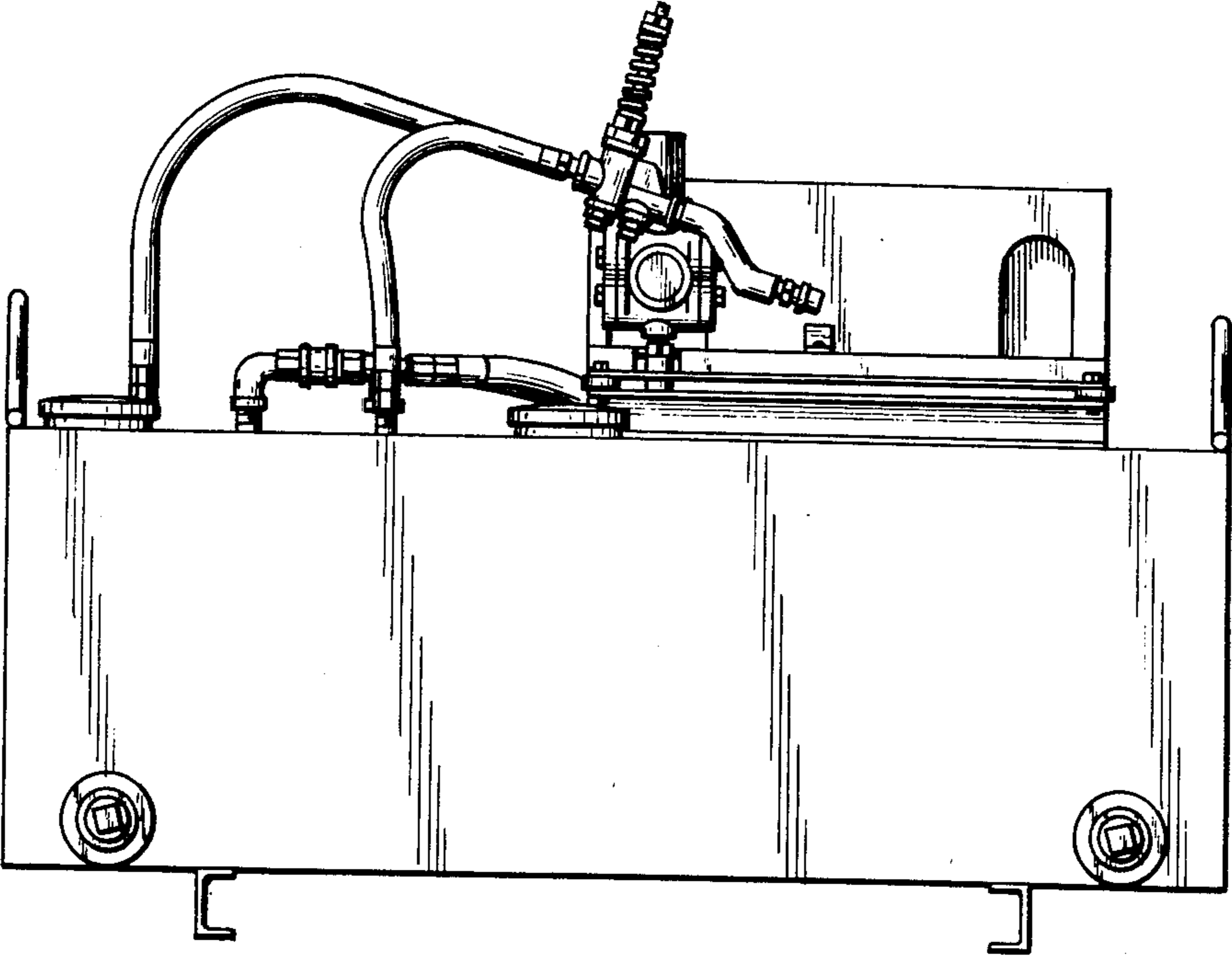


FIG. 3

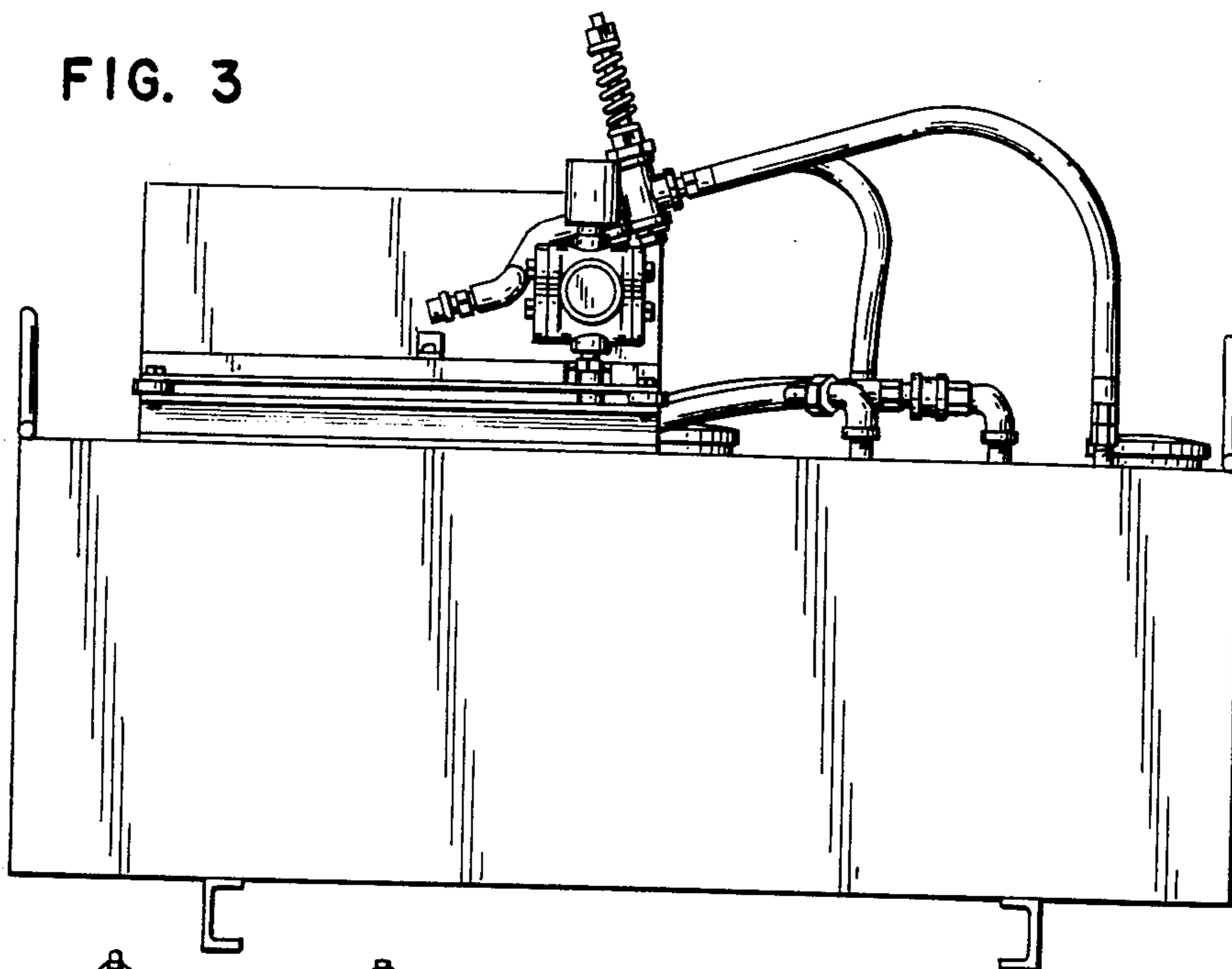


FIG. 4

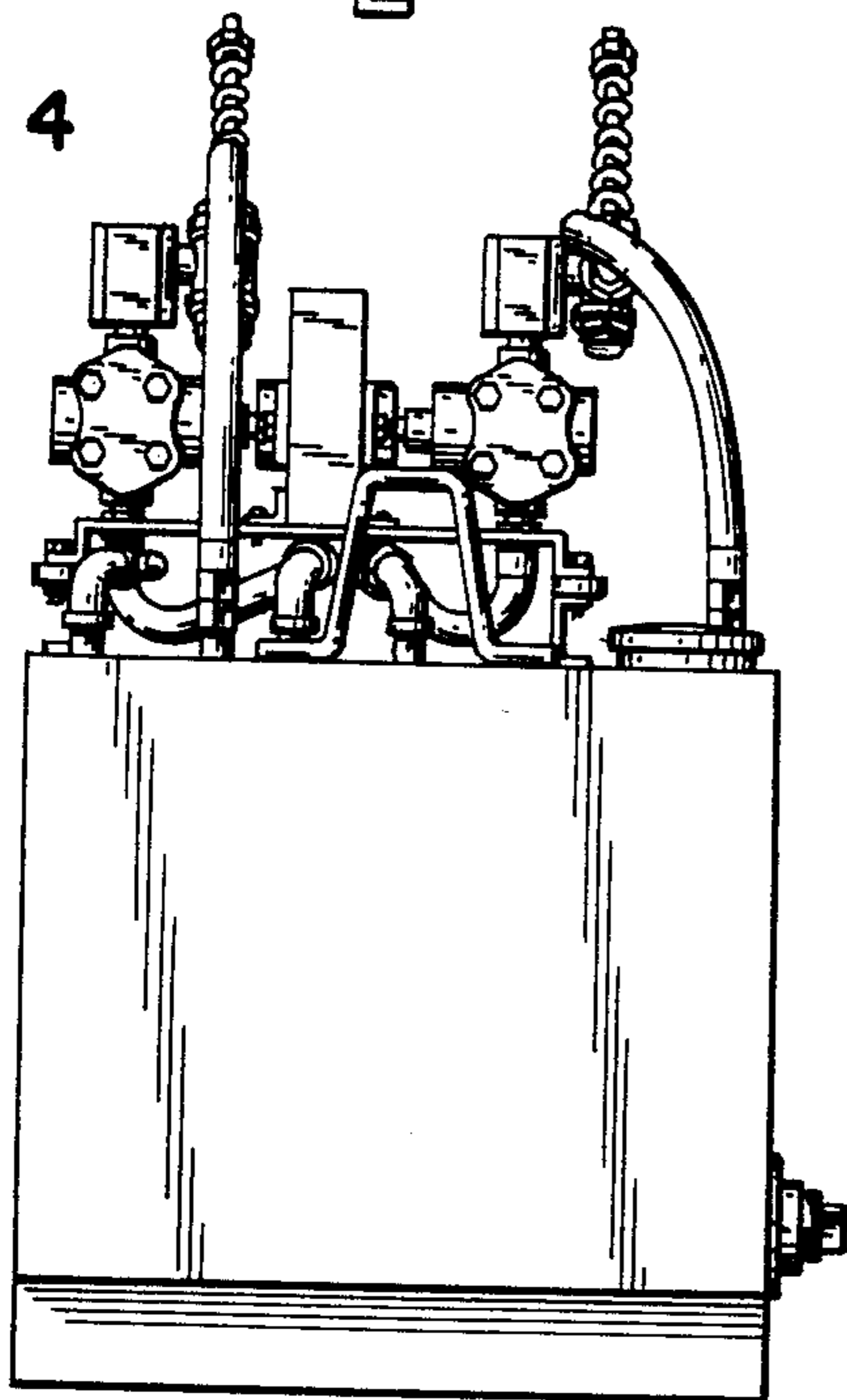


FIG. 5

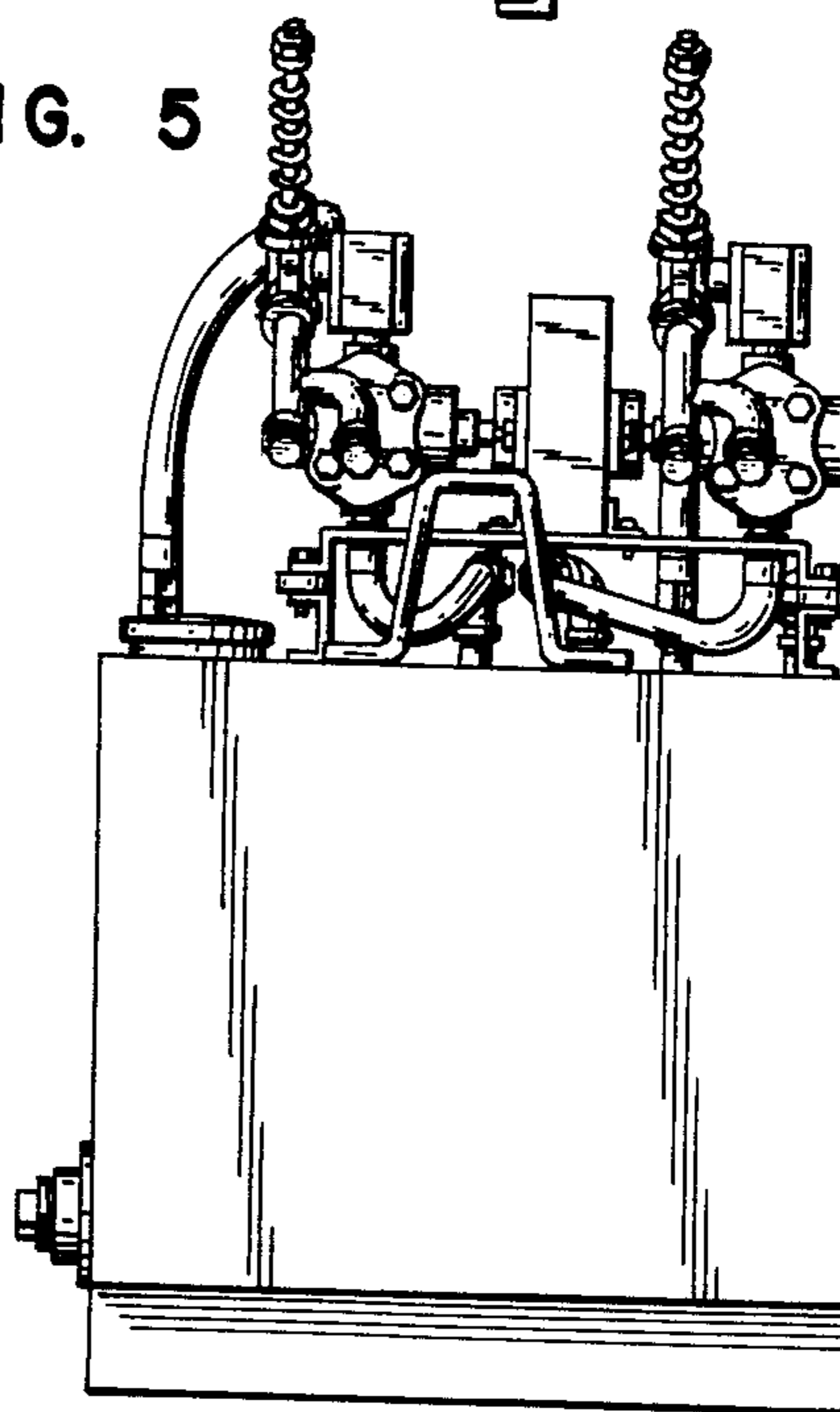


FIG. 6

