

[54] **LAWN AND GARDEN TRACTOR**

[75] Inventor: **Darrell W. Hinklin**, Richfield, Minn.

[73] Assignee: **The Toro Company**, Minneapolis, Minn.

[**] Term: **14 Years**

[21] Appl. No.: **820,019**

[22] Filed: **Jul. 28, 1977**

[51] Int. Cl. **D12-09**

[52] U.S. Cl. **D15/23**

[58] Field of Search **D15/15, 23; 180/1 F, 180/54 D, 89.1; 296/1 R; 56/11.1, 11.2, 11.6, 15.3, 15.7-15.9, 16.3, 14.9**

[56] **References Cited**

U.S. PATENT DOCUMENTS

D. 213,682 4/1969 Clarke et al. **D15/23**
D. 224,298 7/1972 Kermes **D15/23**

OTHER PUBLICATIONS

Hardware Age, 9/76, p. 2, Lawn Mower, top center of page.

Hardware Age, 9/76, p. 17, Jacobsen Garden Tractor, bottom right side of page.

Hardware Age, 1/75, p. 109, Lawn Mower, center right side of page.

Primary Examiner—Wallace R. Burke

Assistant Examiner—James M. Gandy

Attorney, Agent, or Firm—Vernon A. Johnson

[57] **CLAIM**

The ornamental design for a lawn and garden tractor, as shown.

DESCRIPTION

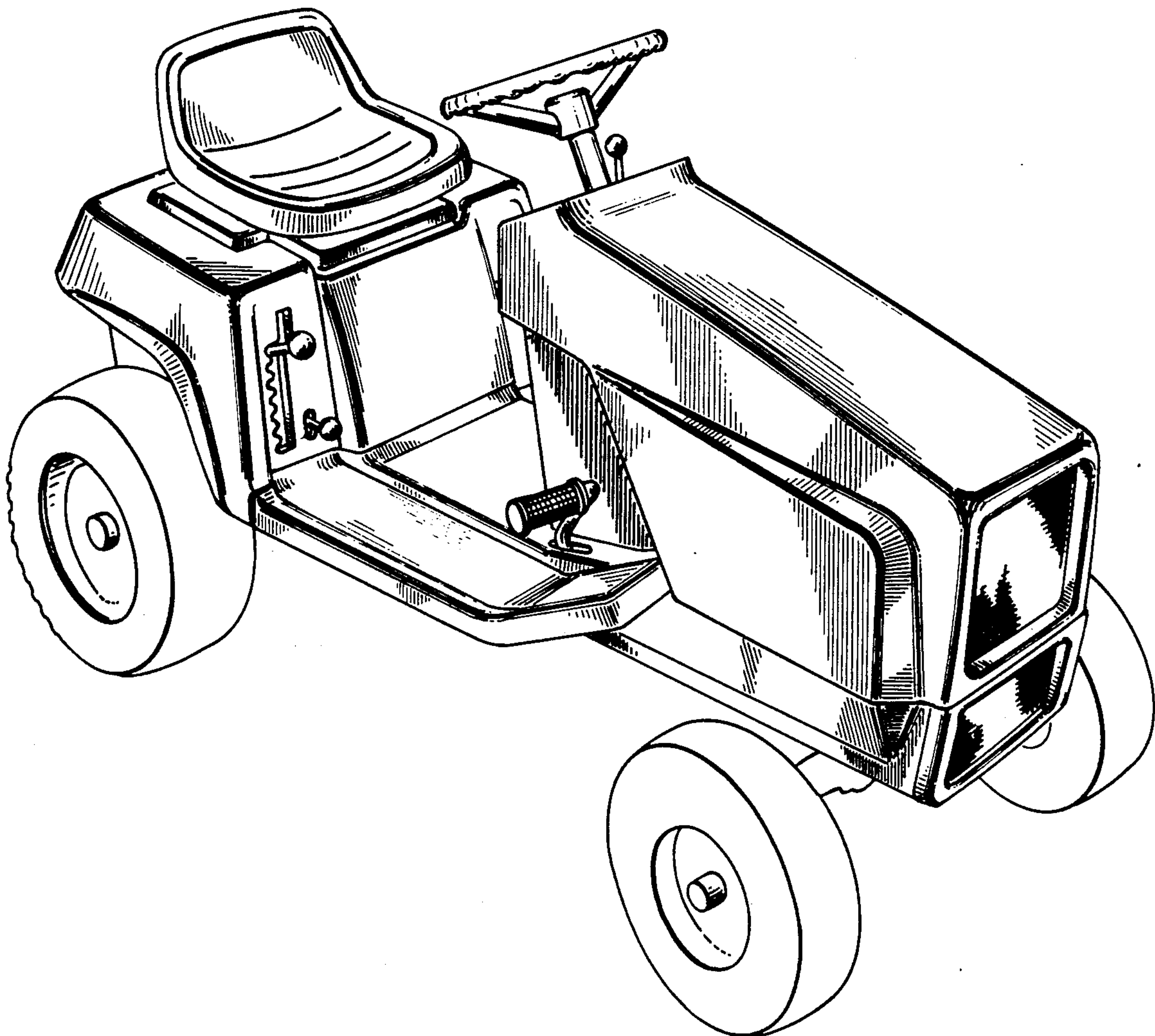
FIG. 1 is a perspective view of a lawn and garden tractor showing my new design;

FIG. 2 is a left side elevational view thereof;

FIG. 3 is a top plan view thereof;

FIG. 4 is a front elevational view thereof; and

FIG. 5 is a rear elevational view thereof.



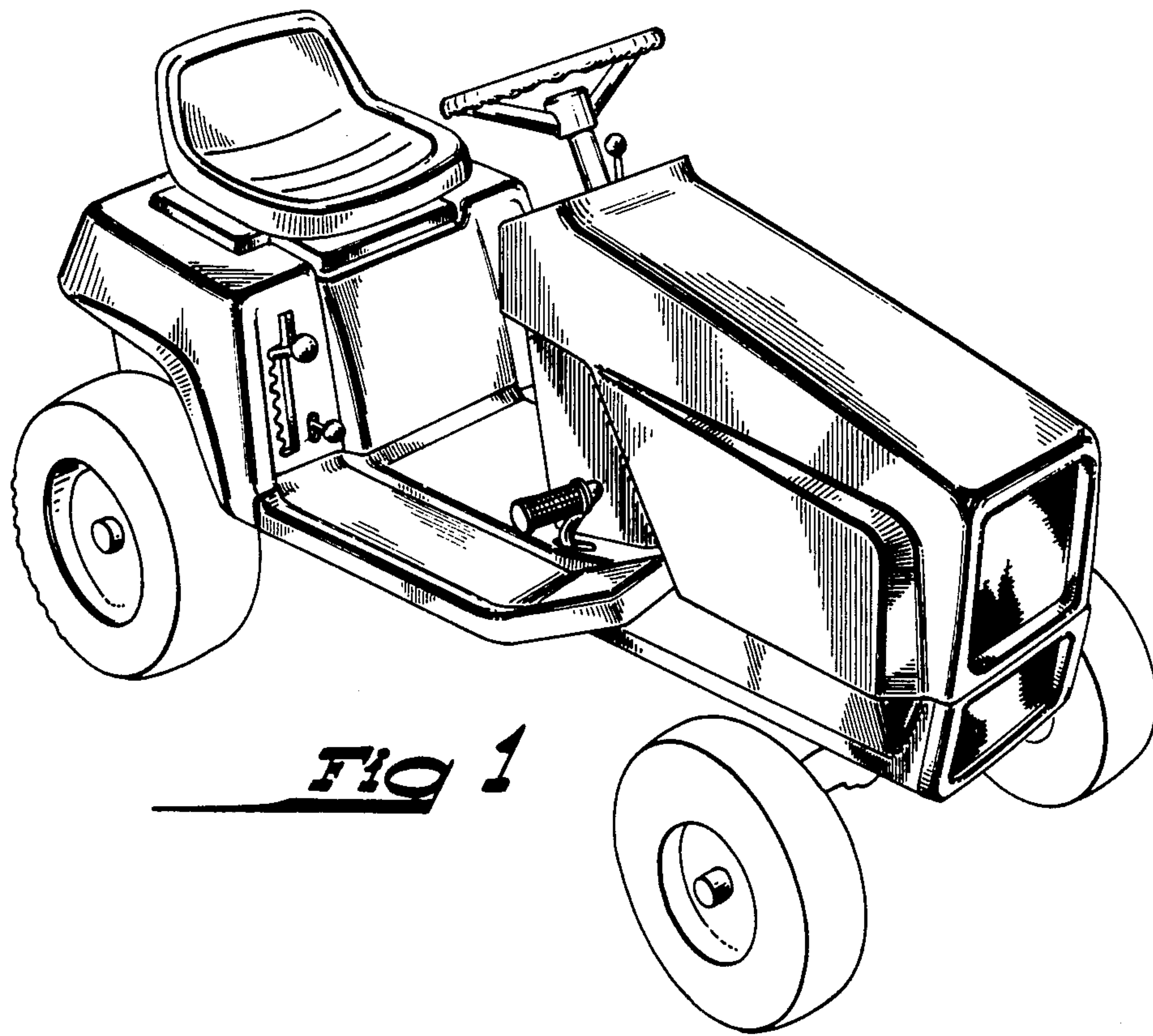


FIG 1

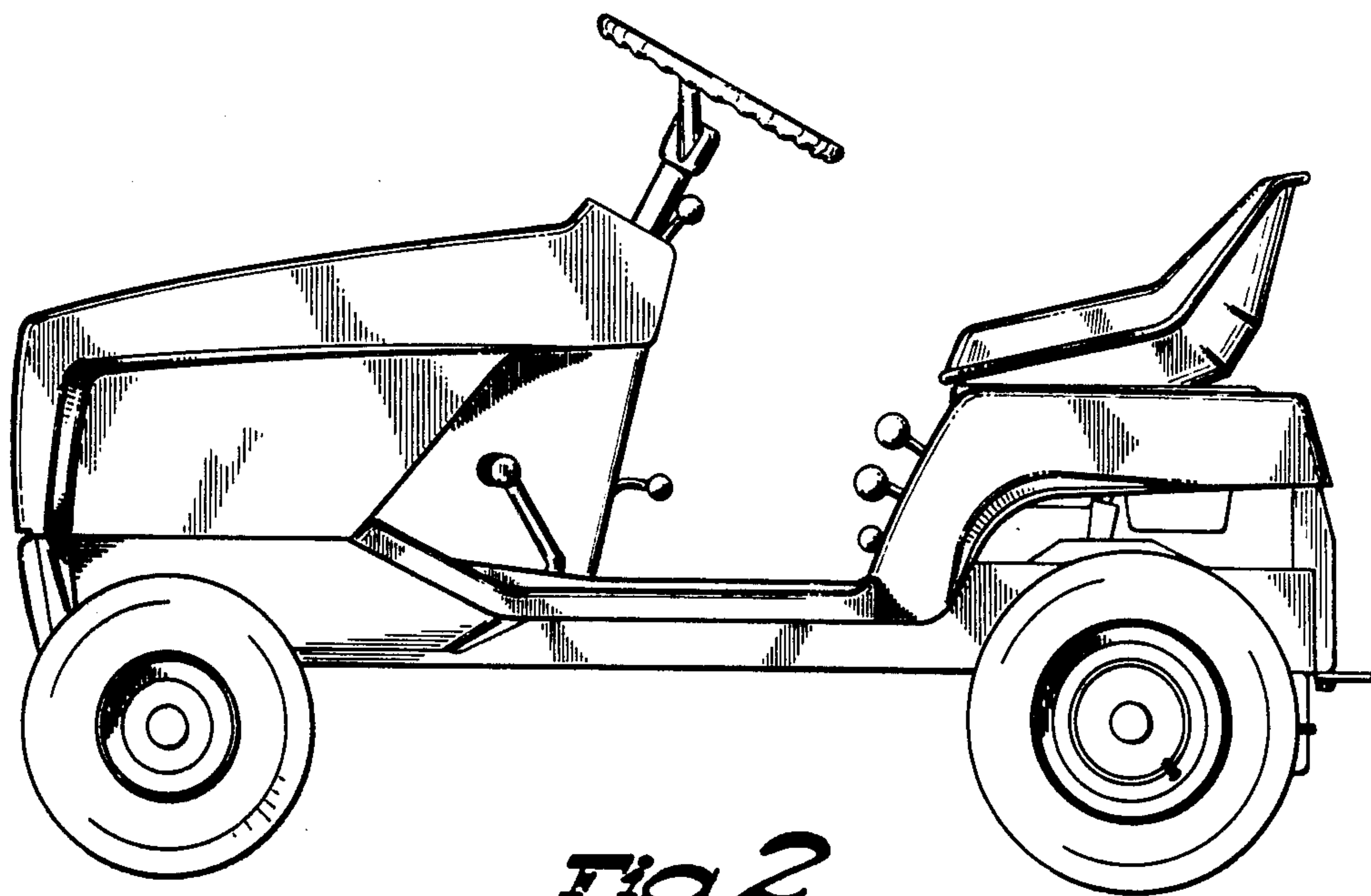


FIG 2

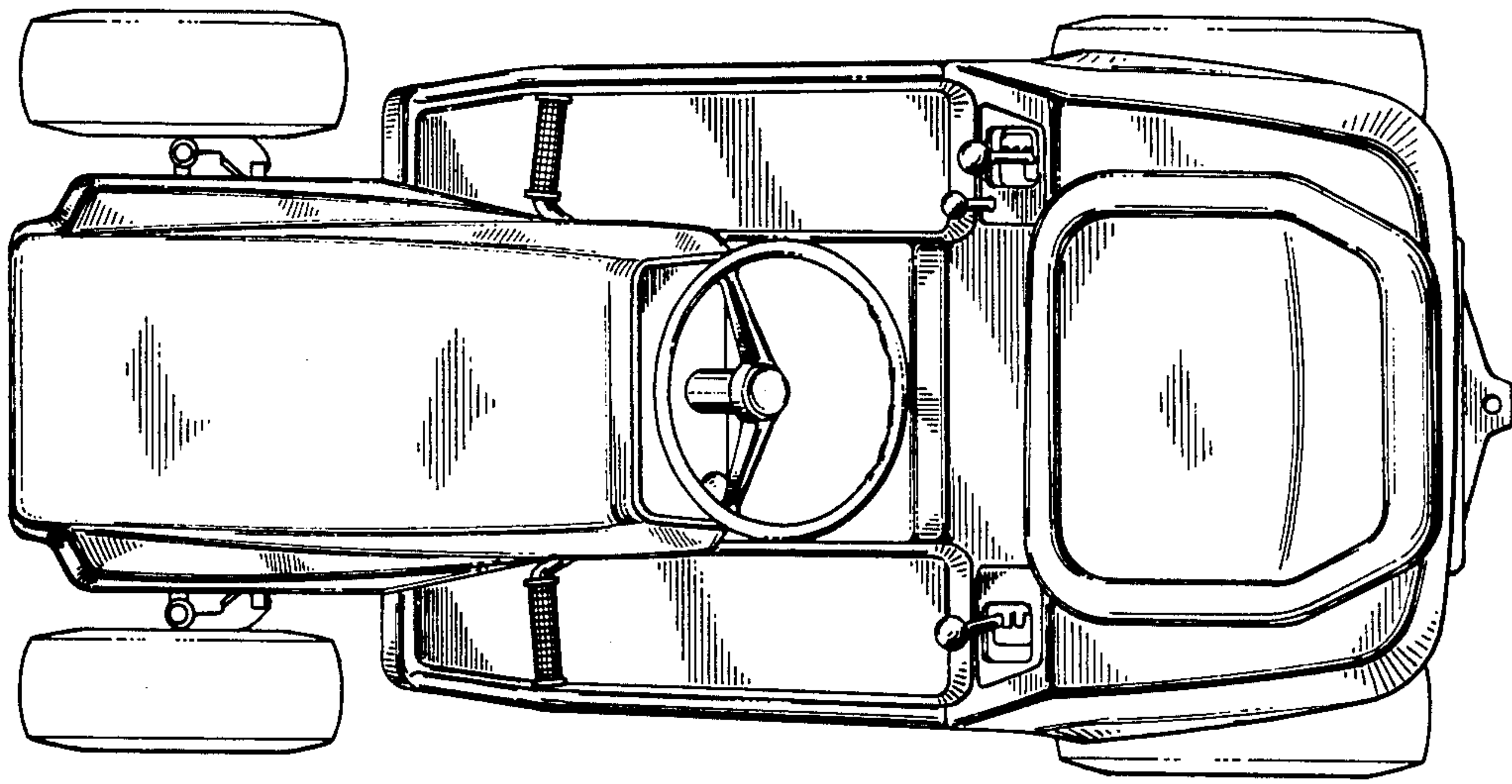


Fig 3

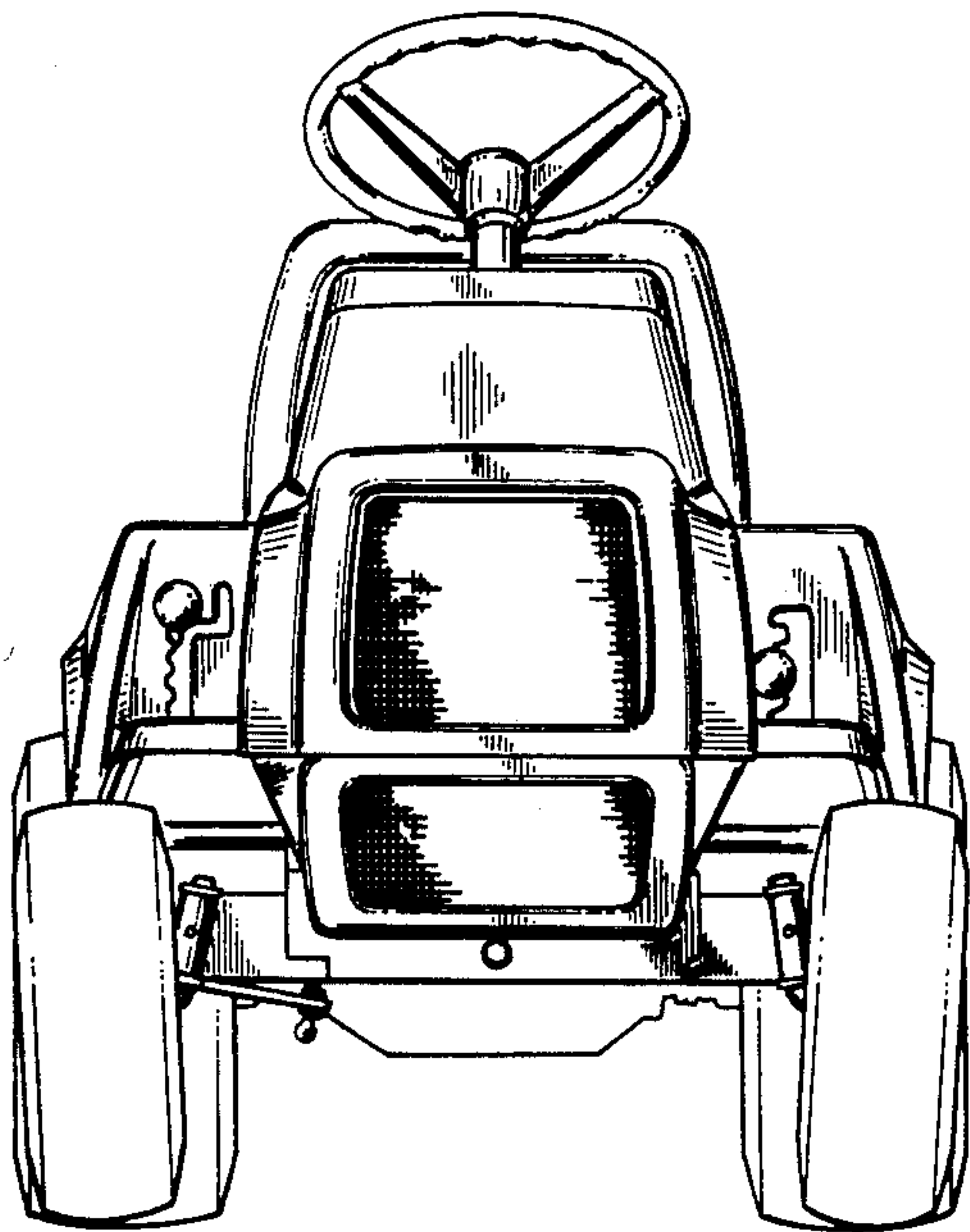


Fig 4

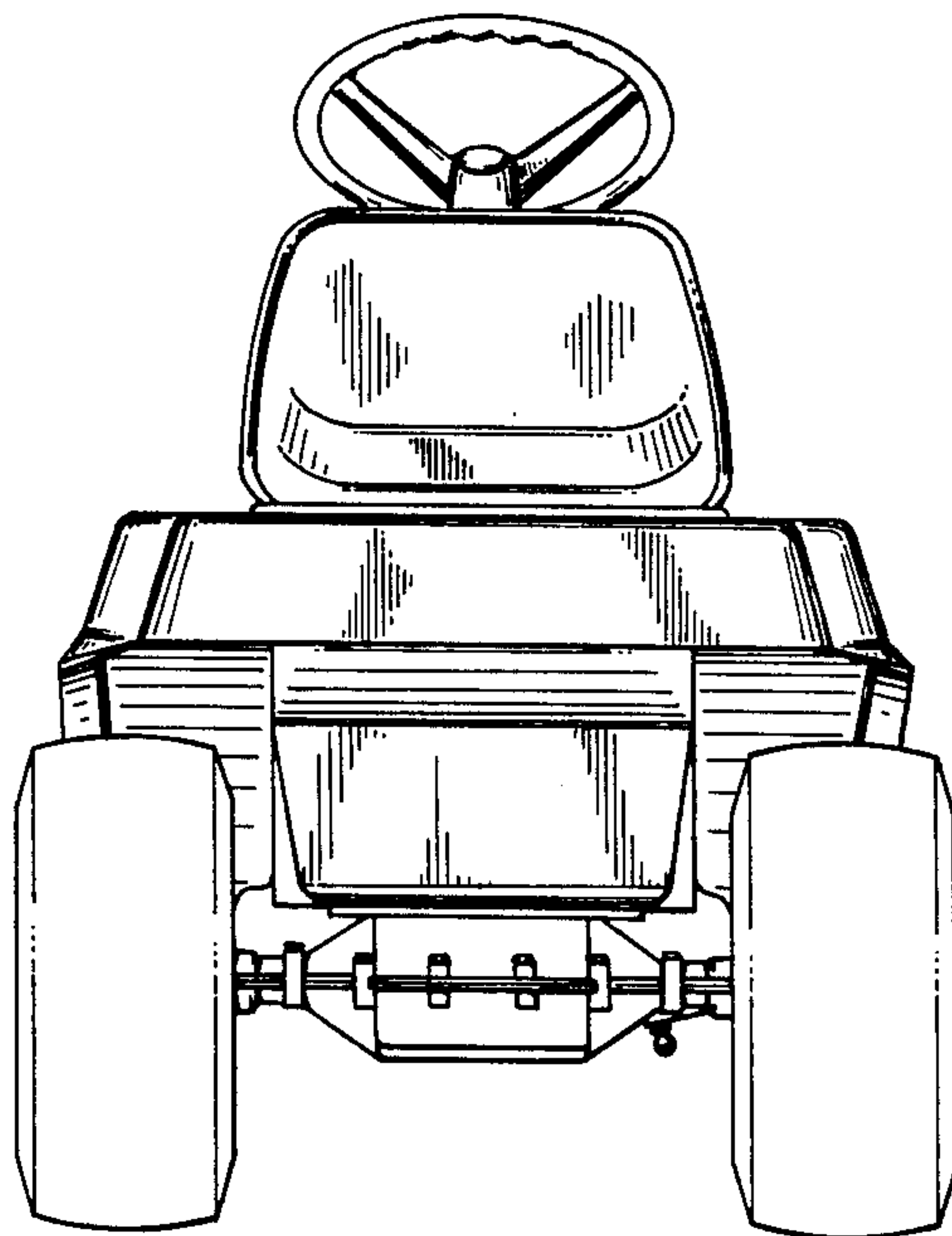


Fig 5