

[54] **VAN TOP**

[76] **Inventor:** Stanley Gene Snyder, 1100 Pioneer Way, El Cajon, Calif. 92020

[**] **Term:** 14 Years

[21] **Appl. No.:** 765,444

[22] **Filed:** Feb. 4, 1977

[51] **Int. Cl.** D12-16

[52] **U.S. Cl.** D12/156

[58] **Field of Search** D12/156, 99, 100;
296/23 MC, 26, 99 R, 137 B

[56] **References Cited**

U.S. PATENT DOCUMENTS

D. 213,189	1/1969	Ritter et al.	D12/156
D. 230,019	1/1974	Cox	D12/156
D. 232,083	7/1974	Lano	D12/100
3,719,383	3/1973	Ferro	D12/156

OTHER PUBLICATIONS

Turtle Top Flyer, Side 1, Total Top 100, center left side of page.

Primary Examiner—Bernard Ansher
Assistant Examiner—James M. Gandy
Attorney, Agent, or Firm—Carl R. Brown

[57] **CLAIM**

The ornamental design for a van top, substantially as shown.

DESCRIPTION

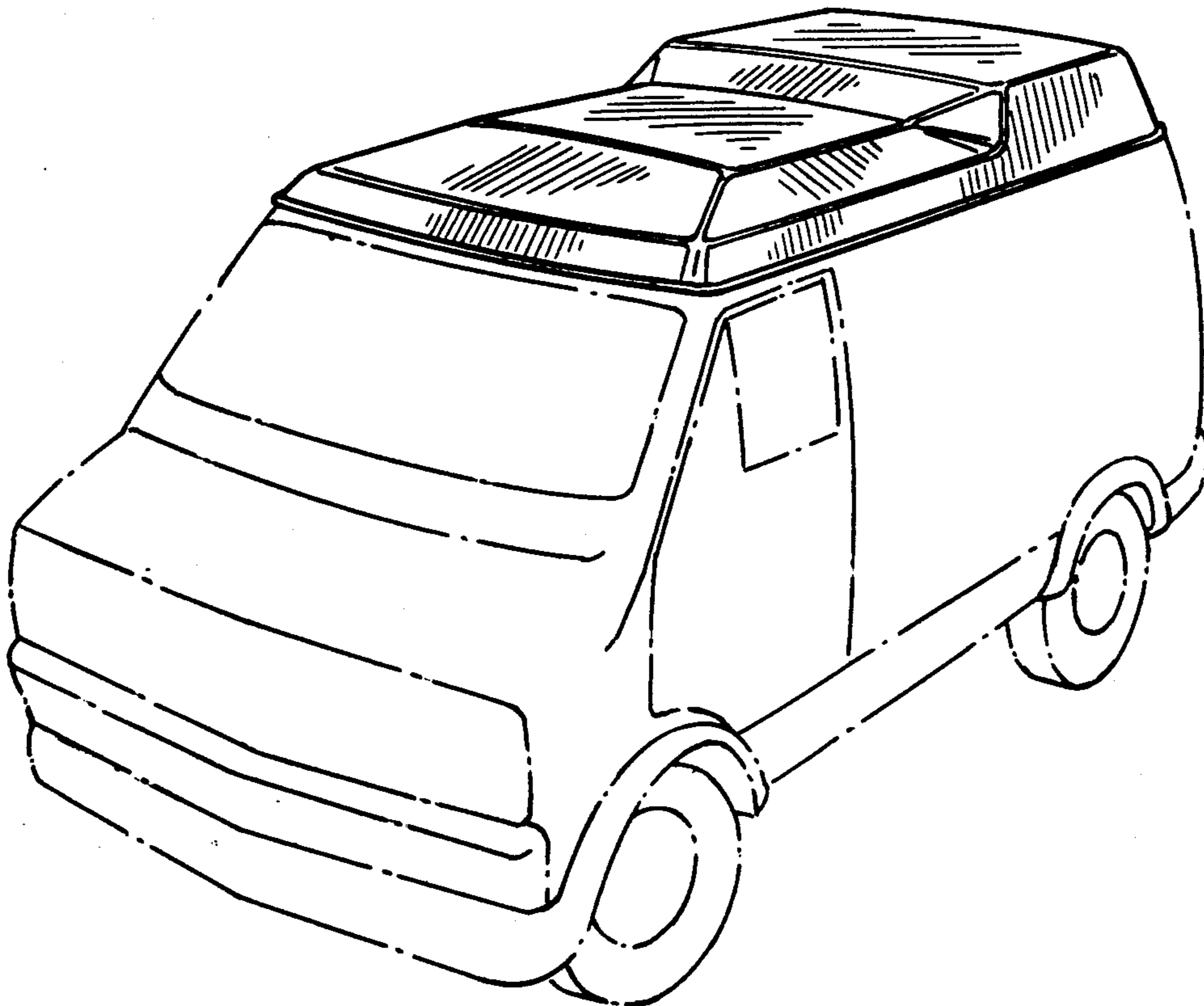
FIG. 1 is a perspective view of a van top, showing my new design, a typical van being indicated in broken lines for illustrative purposes only;

FIG. 2 is a rear elevational view thereof;

FIG. 3 is a right side elevational view thereof;

FIG. 4 is a top plan view thereof; and

FIG. 5 is a bottom plan view thereof.



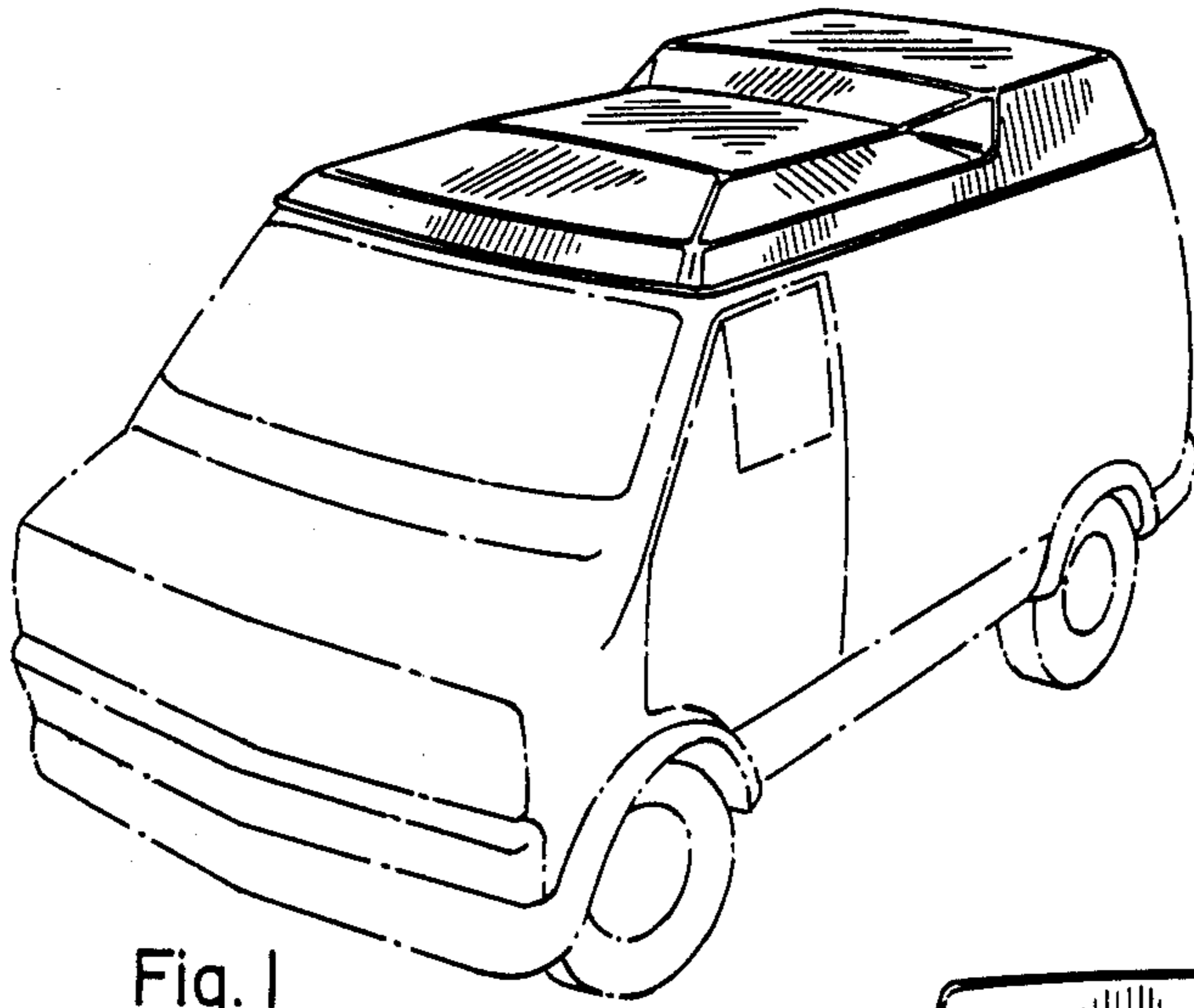


Fig. 1

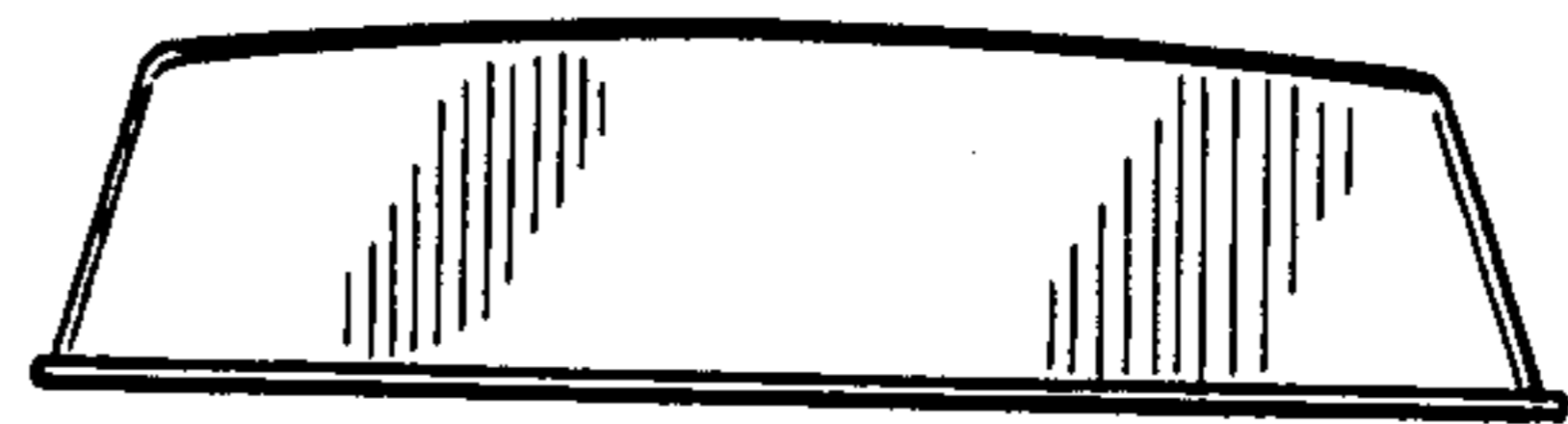


Fig. 2



Fig. 3

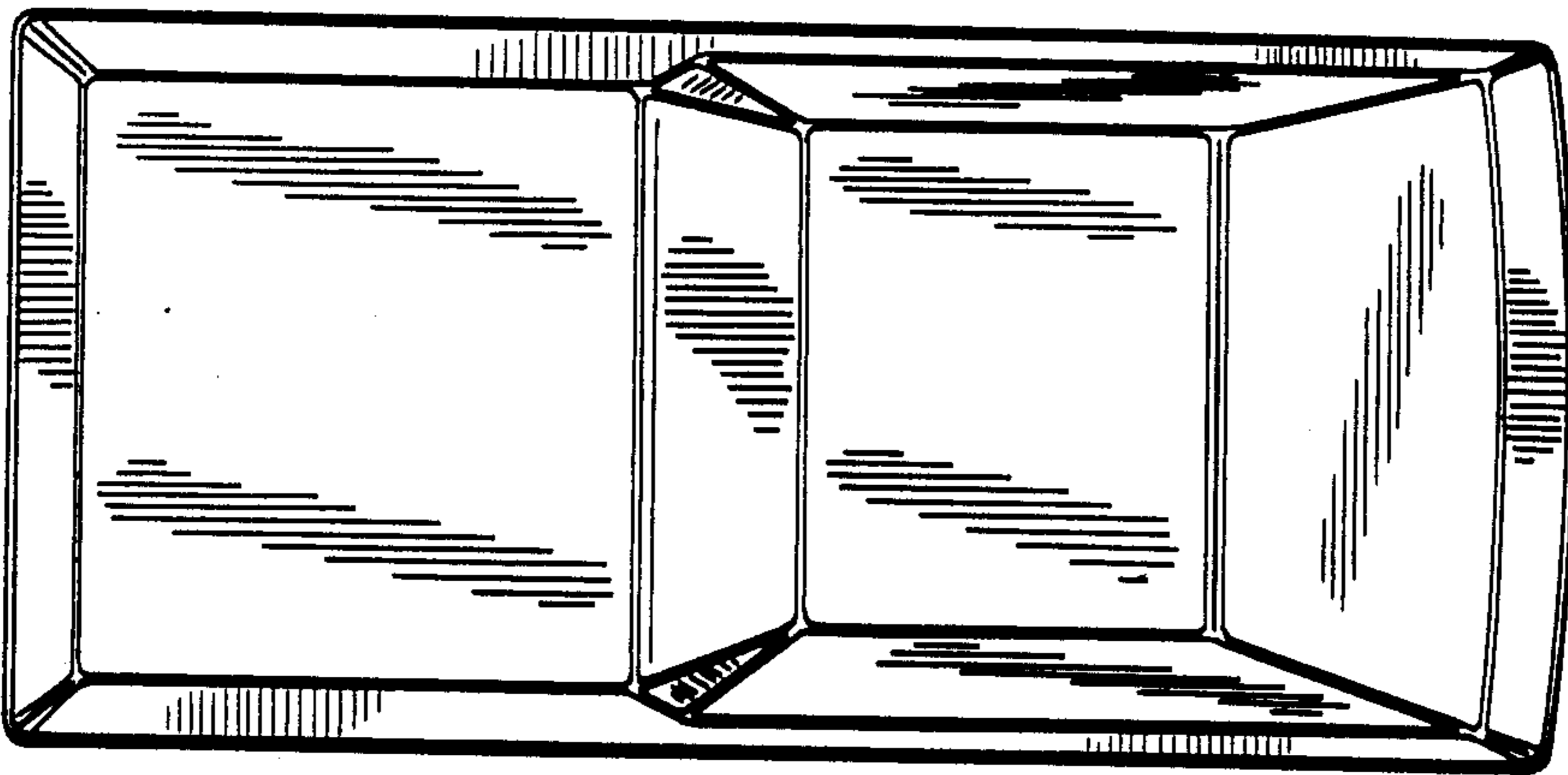


Fig. 4

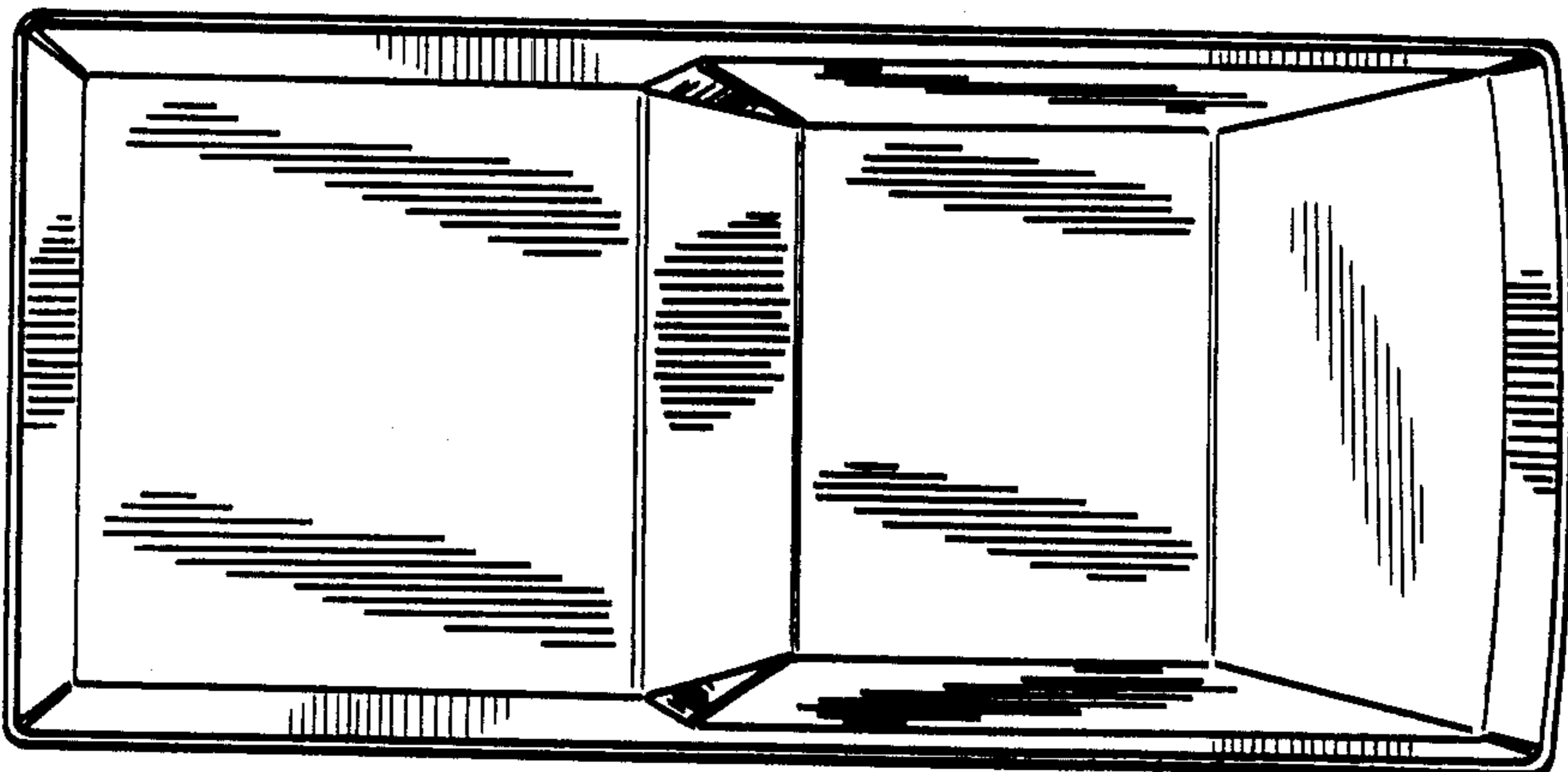


Fig. 5