

[54] DISPENSING TOP FOR GRANULATED MATERIAL

[76] Inventor: John B. Ames, 100 Valley Rd., Marion, Ala. 36756

[**] Term: 14 Years

[21] Appl. No.: 709,596

[22] Filed: Jul. 29, 1976

[51] Int. Cl. D9-07

[52] U.S. Cl. D9/257

[58] Field of Search D9/275, 278, 279, 207, D9/208, 281; 222/565, 480-481; 215/200, 355; 220/200; D7/54

[56] References Cited

U.S. PATENT DOCUMENTS

D. 206,915	2/1967	Amburgey	D9/257
D. 244,091	7/1972	Swartzbaugh	D9/257
3,100,589	8/1963	Loue, Jr.	D9/257 X
3,317,087	5/1967	Landis	D9/257 X

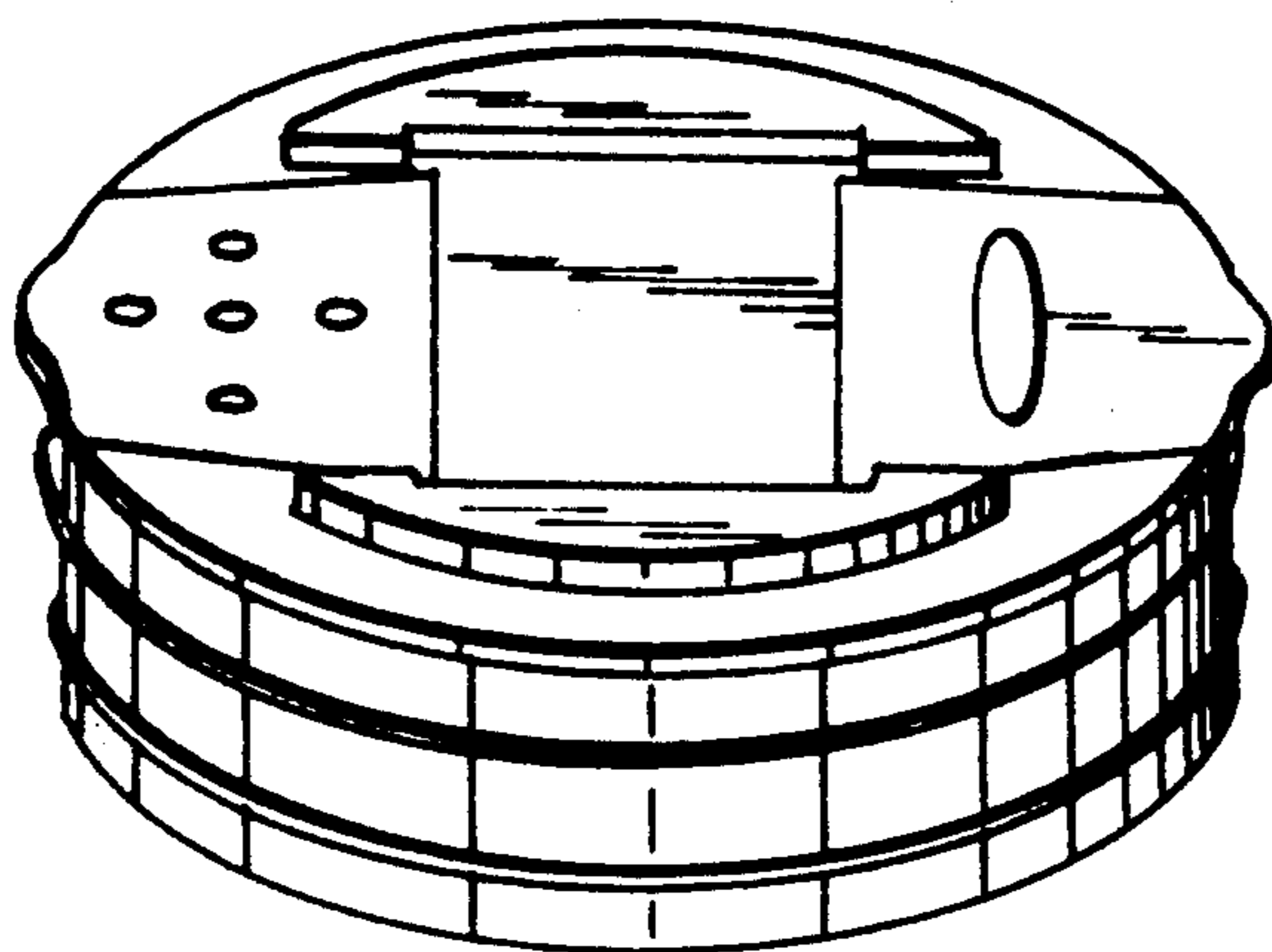
Primary Examiner—Robert C. Spangler
Attorney, Agent, or Firm—Donald D. Jeffery

[57] CLAIM

The ornamental design for a dispensing top for granulated material, as shown.

DESCRIPTION

FIG. 1 is a front perspective view of a dispensing top for granulated material showing my new design; FIG. 2 is a side elevational view thereof; FIG. 3 is a side elevational view thereof looking from the right of FIG. 2; FIG. 4 is a top view thereof, and FIG. 5 is a bottom view thereof.



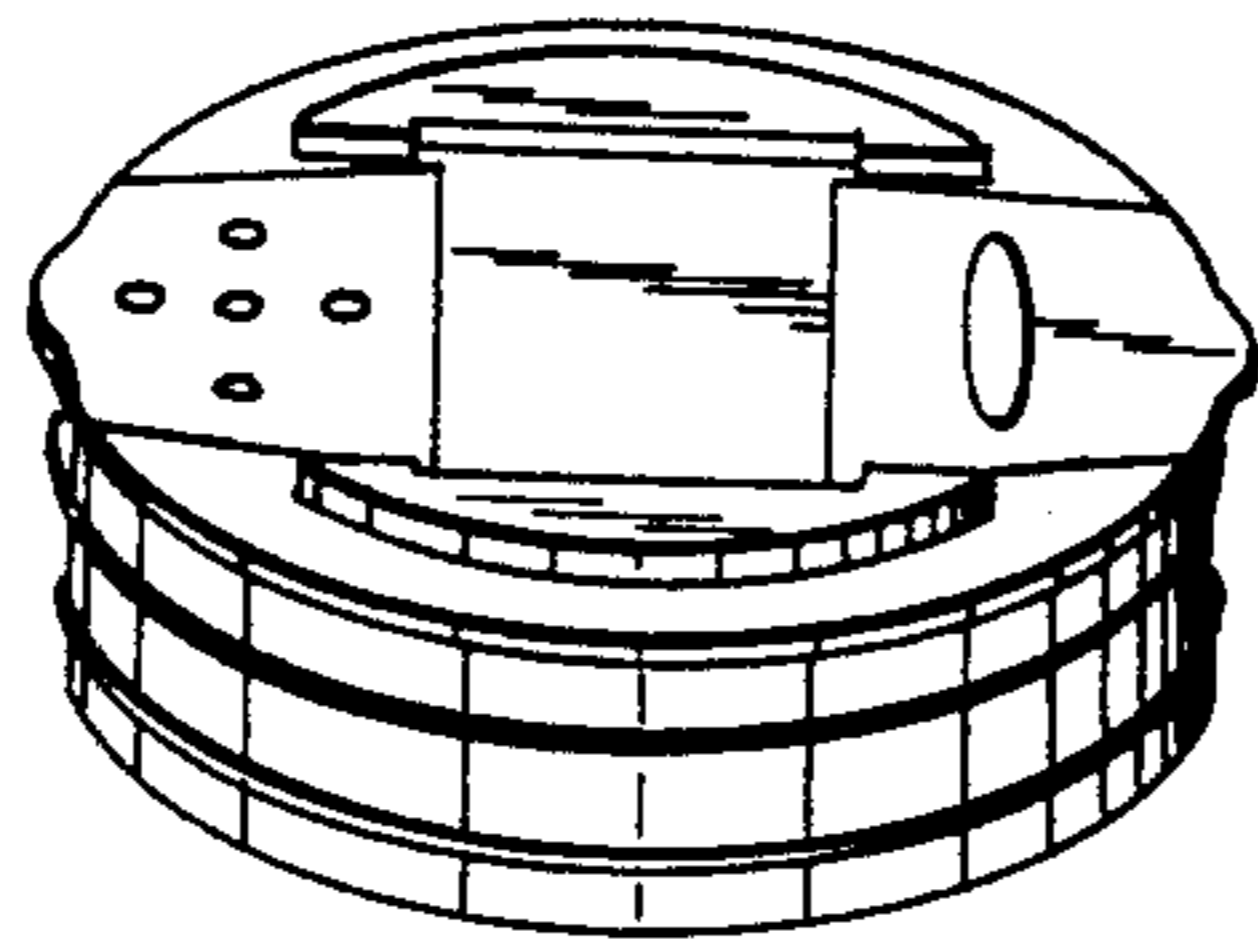


FIG. 1

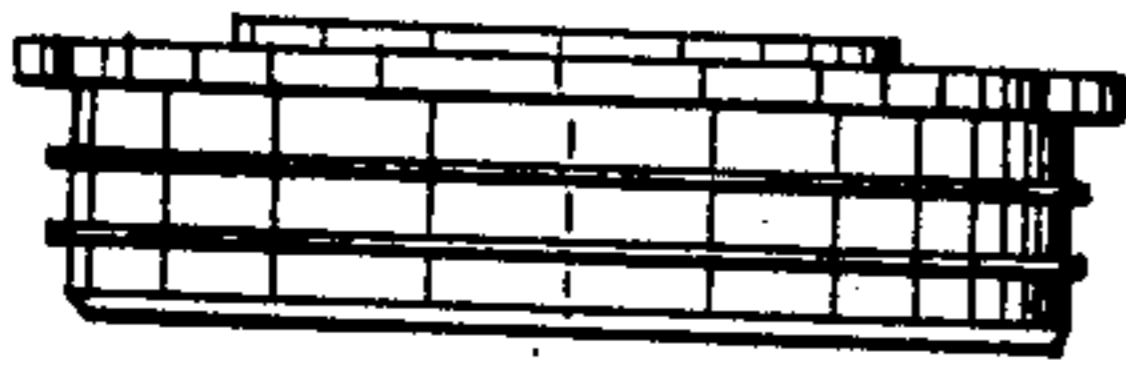


FIG. 2



FIG. 3

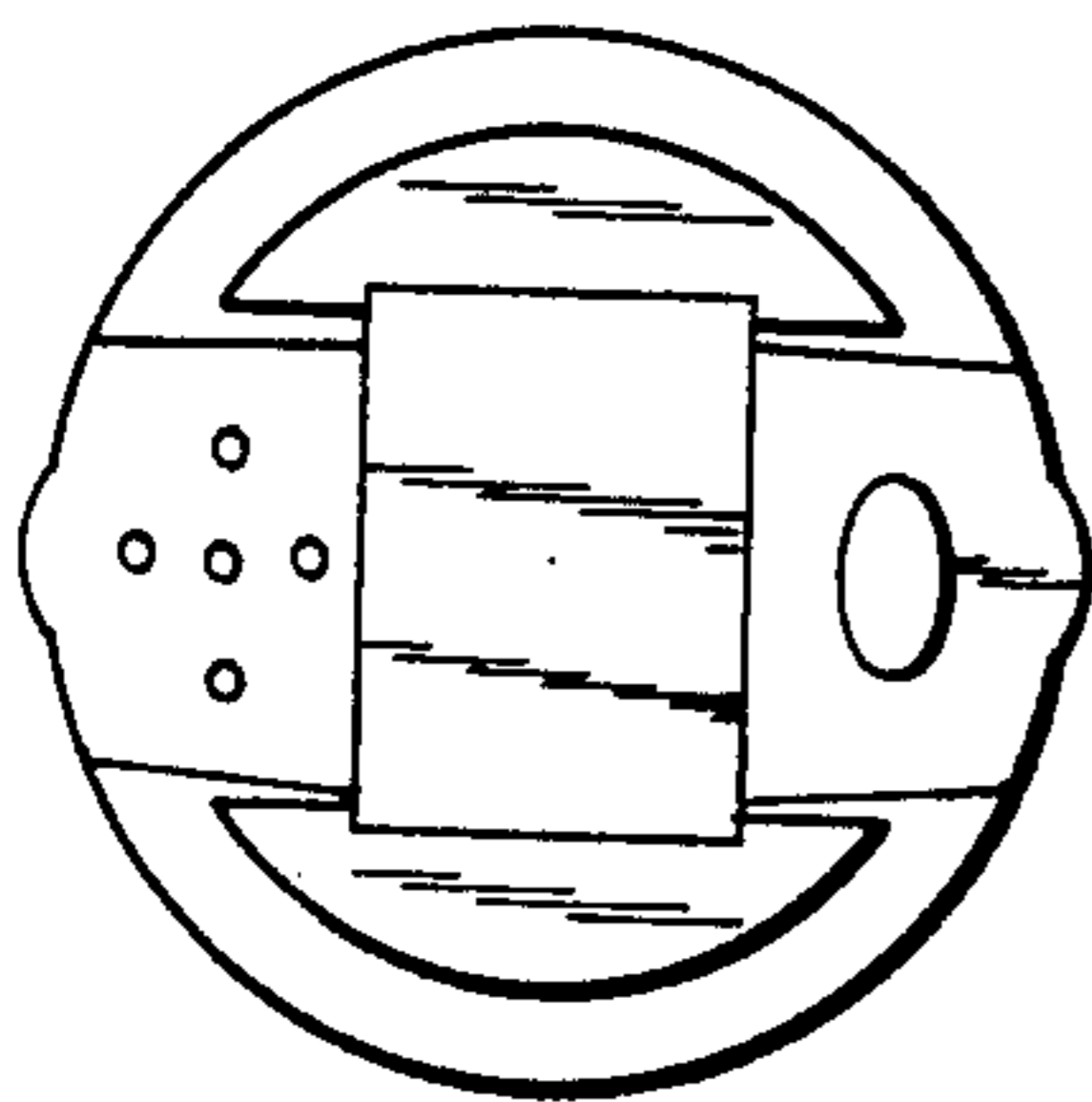


FIG. 4

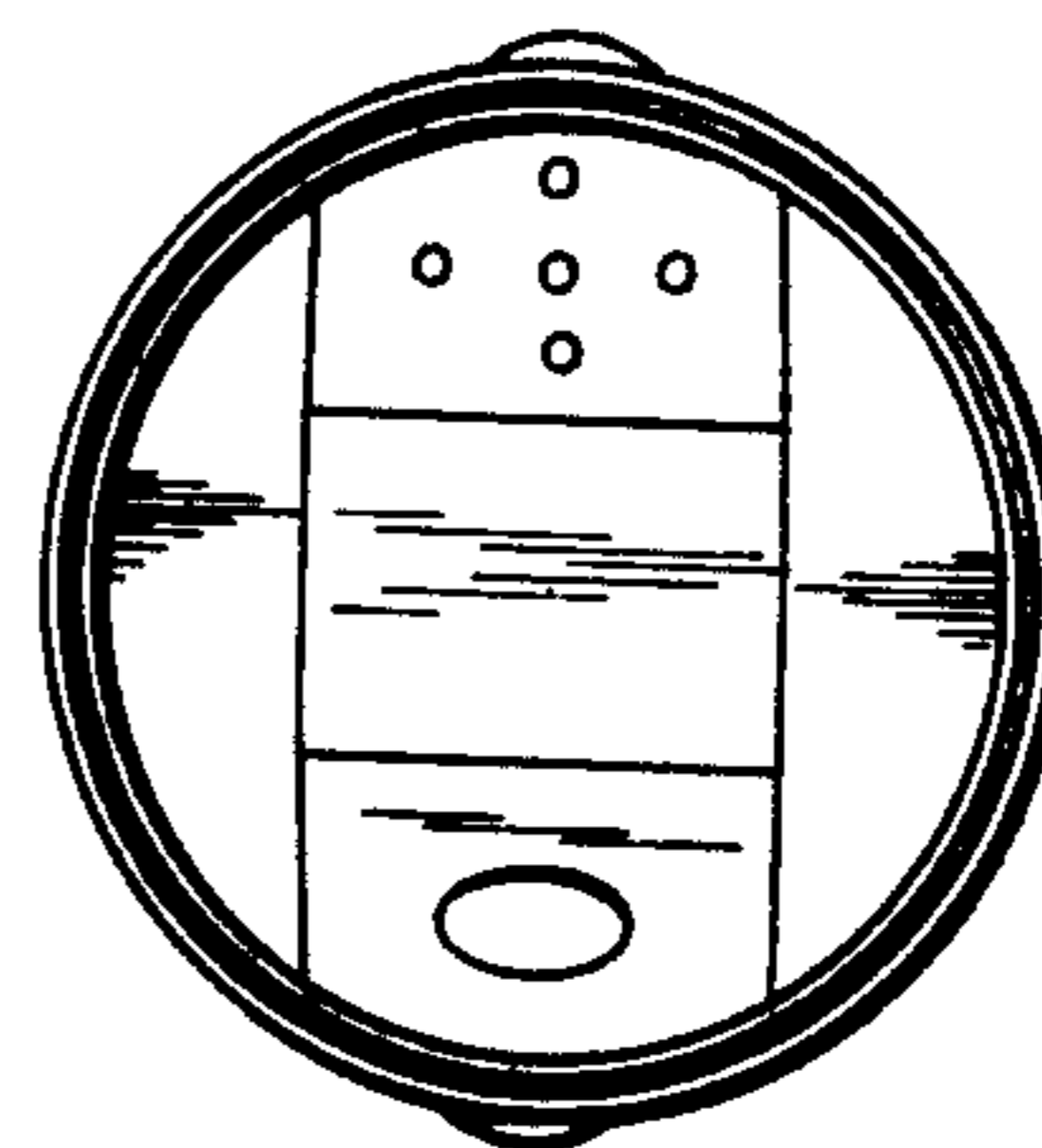


FIG. 5