

[54] **BLANK FOR A DISPOSABLE TRAY**  
[75] Inventors: **Robert A. Bamburg; Farris N. Duncan, both of West Monroe; Roger M. Floyd, Monroe, all of La.**

2,189,602 2/1940 Denny ..... 229/34 R  
2,536,530 1/1951 Bergstein ..... 229/34 R  
3,152,748 10/1964 Desmond et al. .... 229/34 R

[73] Assignee: **Olinkraft, Inc., West Monroe, La.**

*Primary Examiner*—Robert C. Spangler  
*Attorney, Agent, or Firm*—Anthony A. O'Brien

[\*\*] Term: **14 Years**

[57] **CLAIM**

[21] Appl. No.: **722,616**

The ornamental design for a blank for a disposable tray, substantially as shown and described.

[22] Filed: **Sep. 13, 1976**

**DESCRIPTION**

[51] Int. Cl. .... **D9—03**

[52] U.S. Cl. .... **D9/245**

[58] Field of Search ..... **D9/242-244, D9/245; 229/30, 32, 33, 34 R, 35, 36, 37, 38 R**

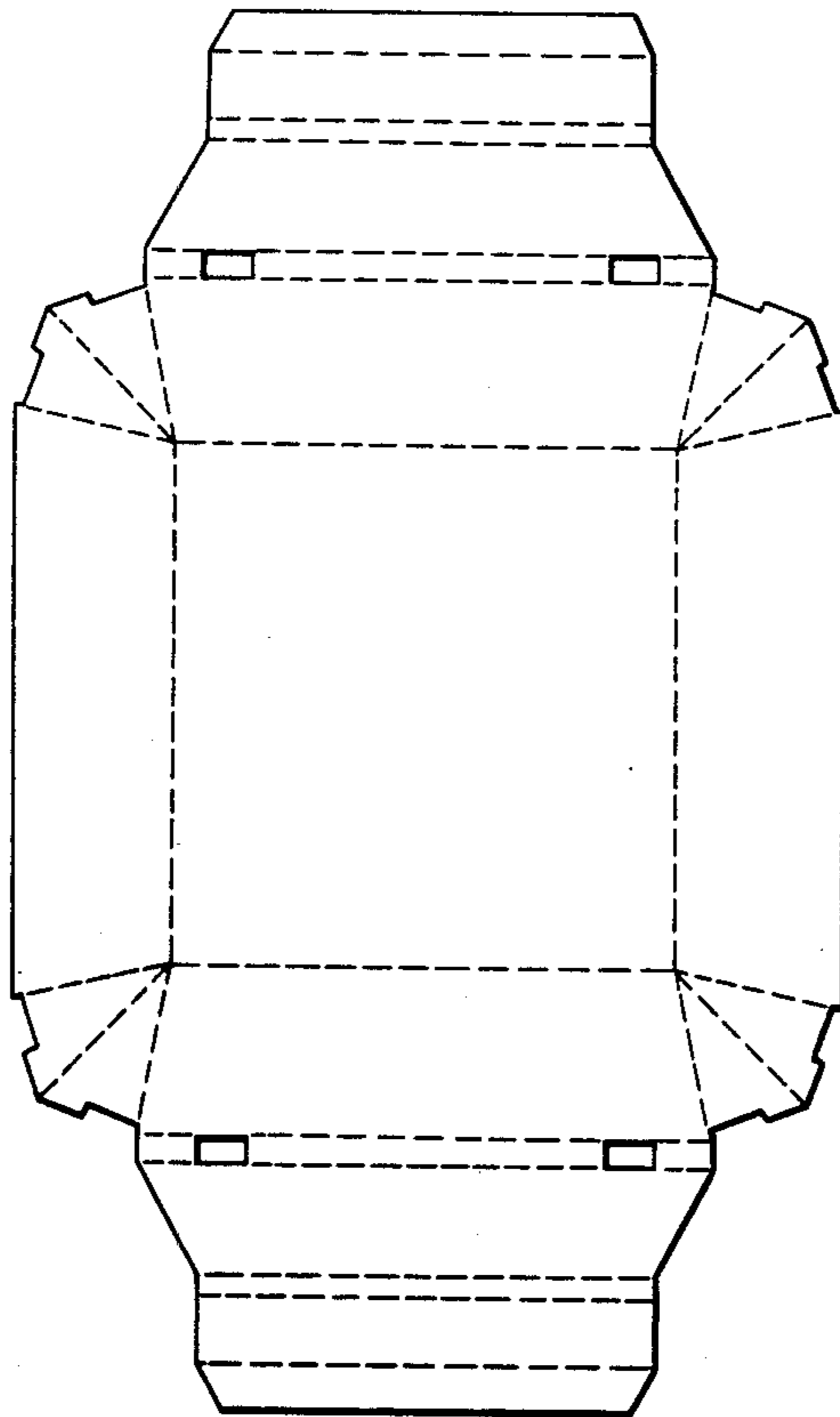
FIG. 1 is a top plan view of a blank for a disposable tray embodying our new design, the bottom being substantially the same in appearance; and FIG. 2 is a top plan view showing another embodiment of our new design, the bottom being substantially the same in appearance.

[56] **References Cited**

**U.S. PATENT DOCUMENTS**

1,772,106 8/1930 Miller ..... 229/34 R

The blank for a disposable tray is constructed of conventional thickness material and in the drawings the dashed lines represent score lines.



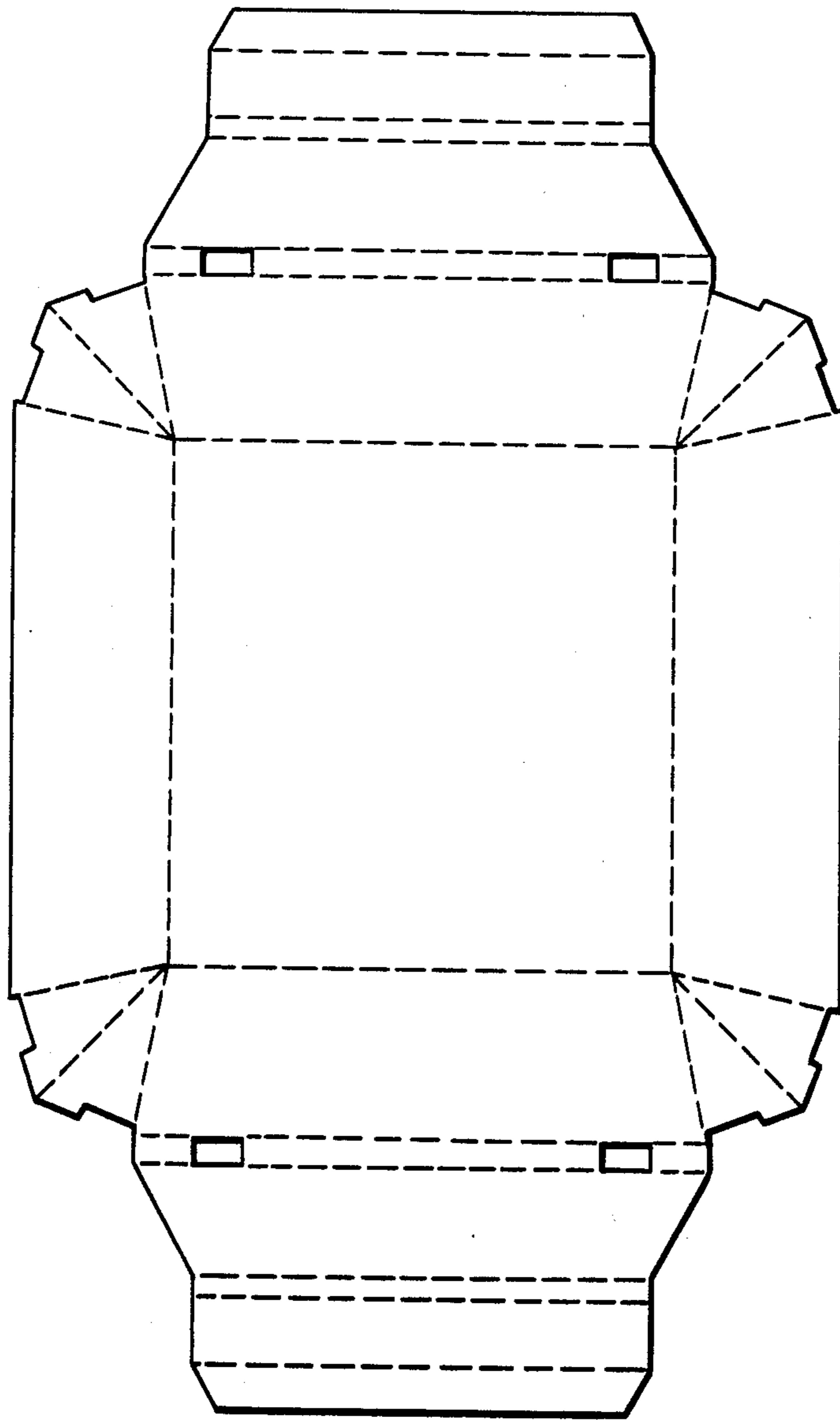


FIG. 1

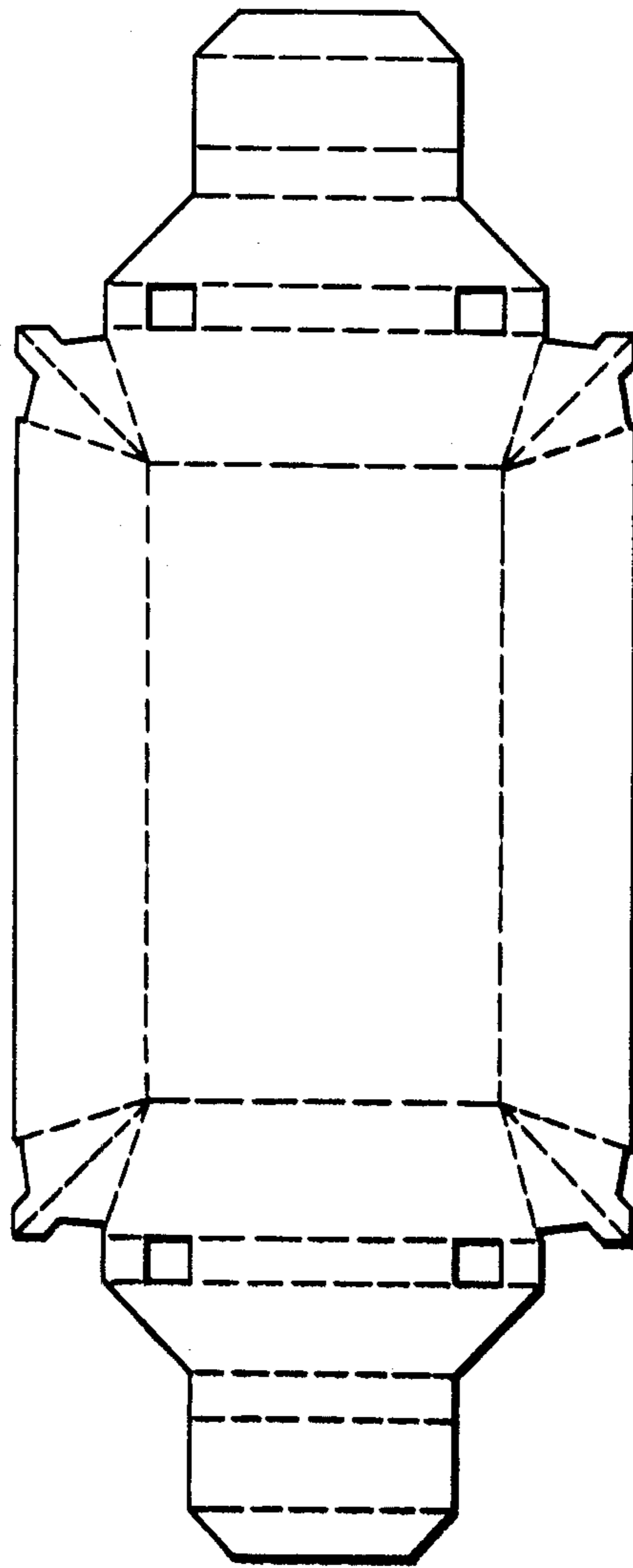


FIG. 2