

[54] **SASH LOCK** 948,588 2/1910 Kissinger ..... 292/241  
 [76] Inventor: **Michael Costello**, 304 Meridian St., 2,599,196 6/1952 Peremi ..... 292/241  
 East Boston, Mass. 02128 3,469,877 9/1969 Hutchison ..... 292/241

[\*\*] Term: **14 Years**

[21] Appl. No.: **827,817**

[22] Filed: **Aug. 25, 1977**

[51] Int. Cl. .... **D8-07**

[52] U.S. Cl. .... **D8/337**

[58] Field of Search ..... **D8/336-338,**  
**D8/341; 292/DIG. 47, DIG. 20, 240, 241;**  
**70/90**

*Primary Examiner*—Wallace R. Burke  
*Assistant Examiner*—James M. Gandy  
*Attorney, Agent, or Firm*—Gerald Altman

[57] **CLAIM**

The ornamental design for a sash lock, as shown.

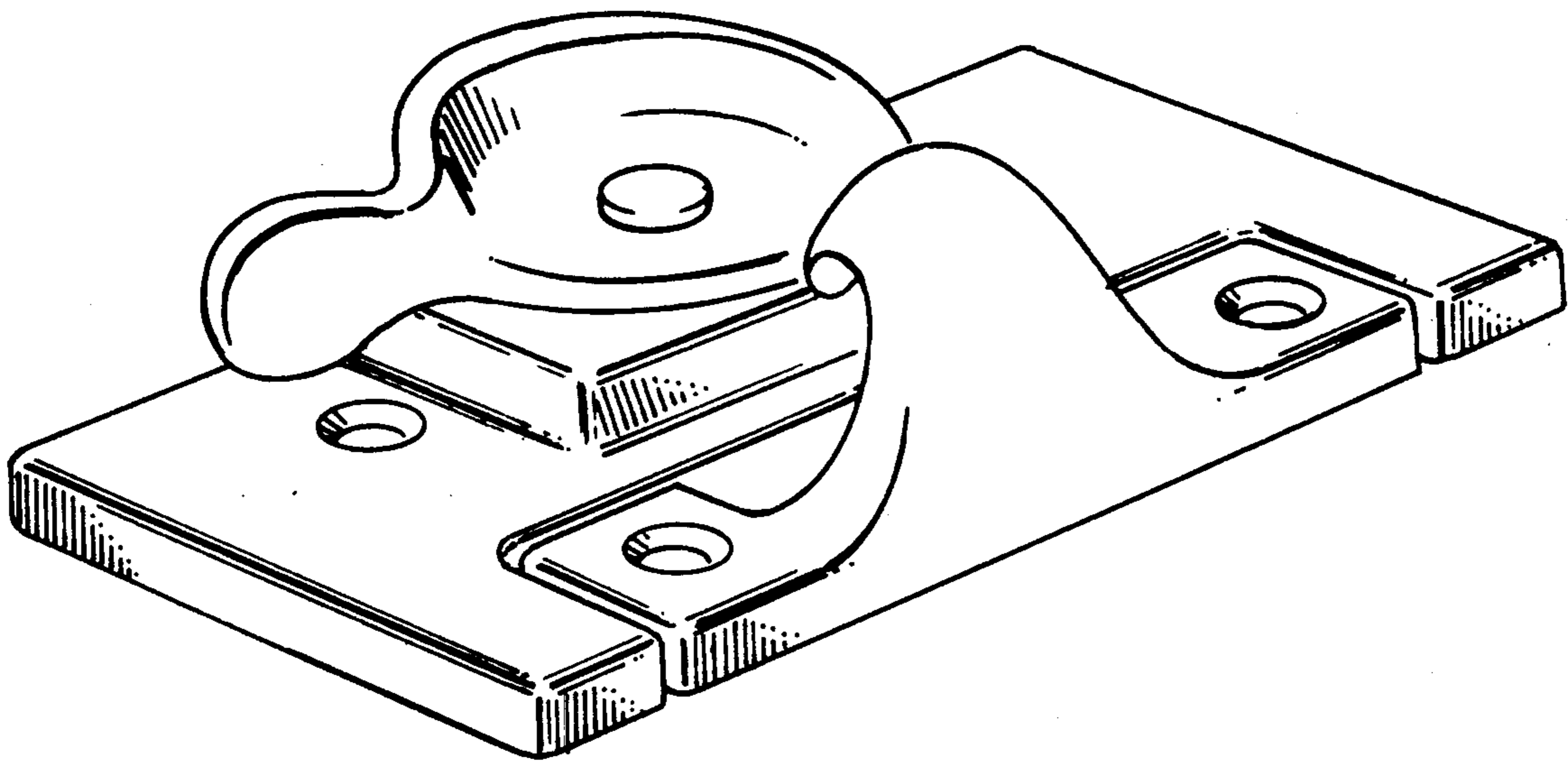
**DESCRIPTION**

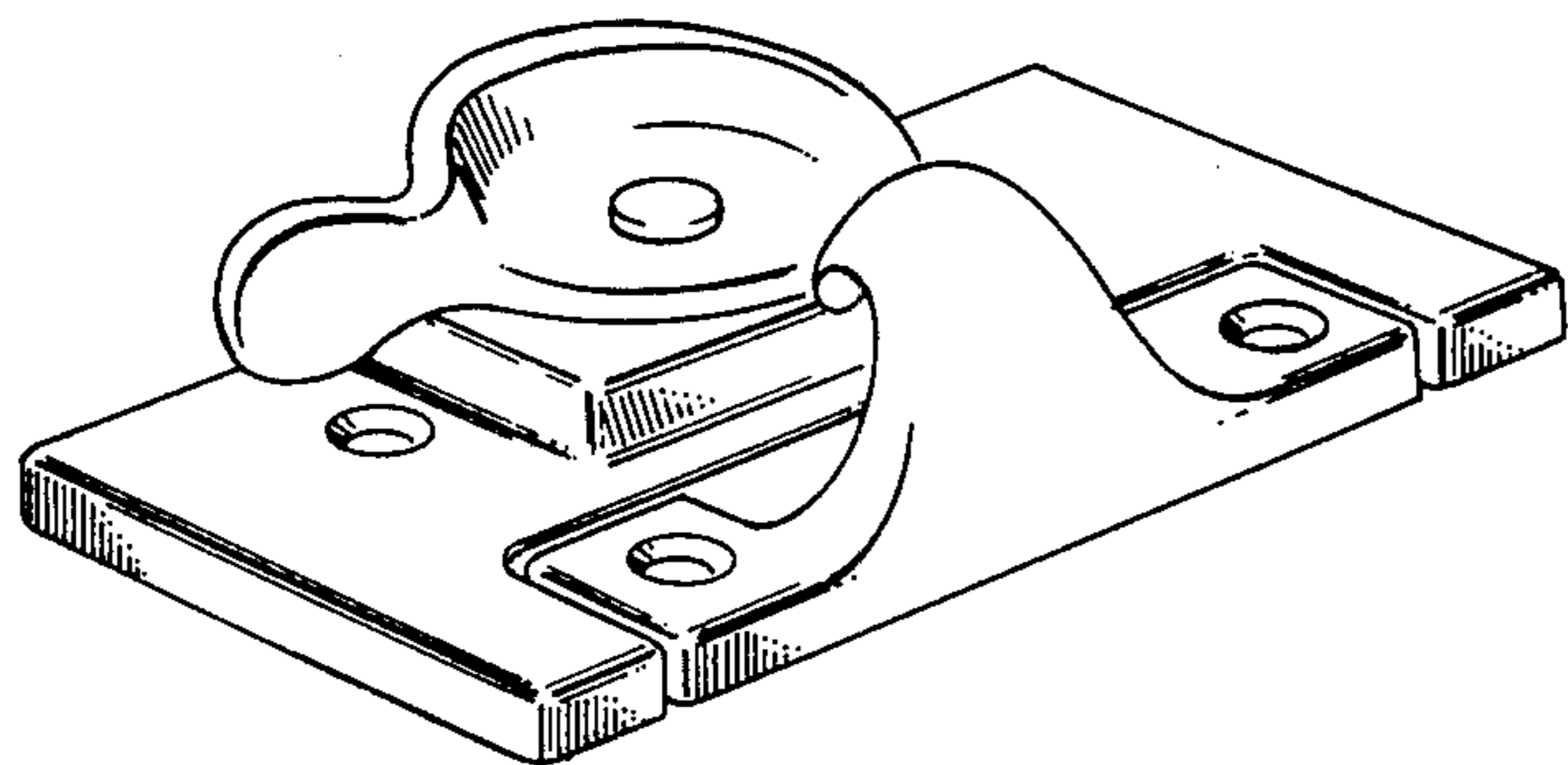
FIG. 1 is a view in perspective of a sash lock showing my new design,  
 FIG. 2 is a top plan view thereof,  
 FIG. 3 is a bottom plan view thereof,  
 FIG. 4 is an end elevational view thereof,  
 FIG. 5 is a front elevational view thereof, and,  
 FIG. 6 is a rear elevational view thereof.

[56] **References Cited**

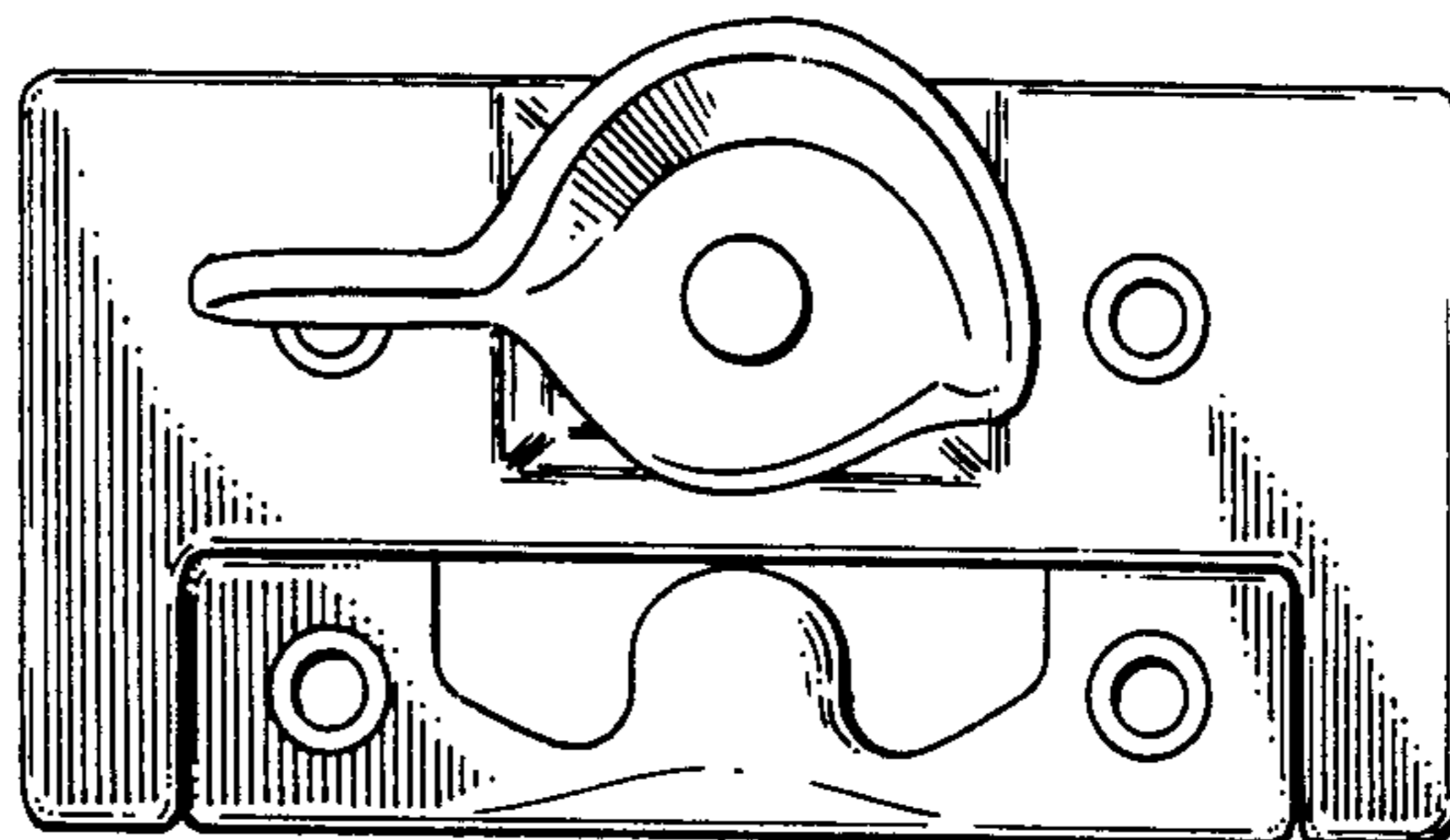
**U.S. PATENT DOCUMENTS**

D. 215,080 9/1969 Ahlgren ..... D8/337

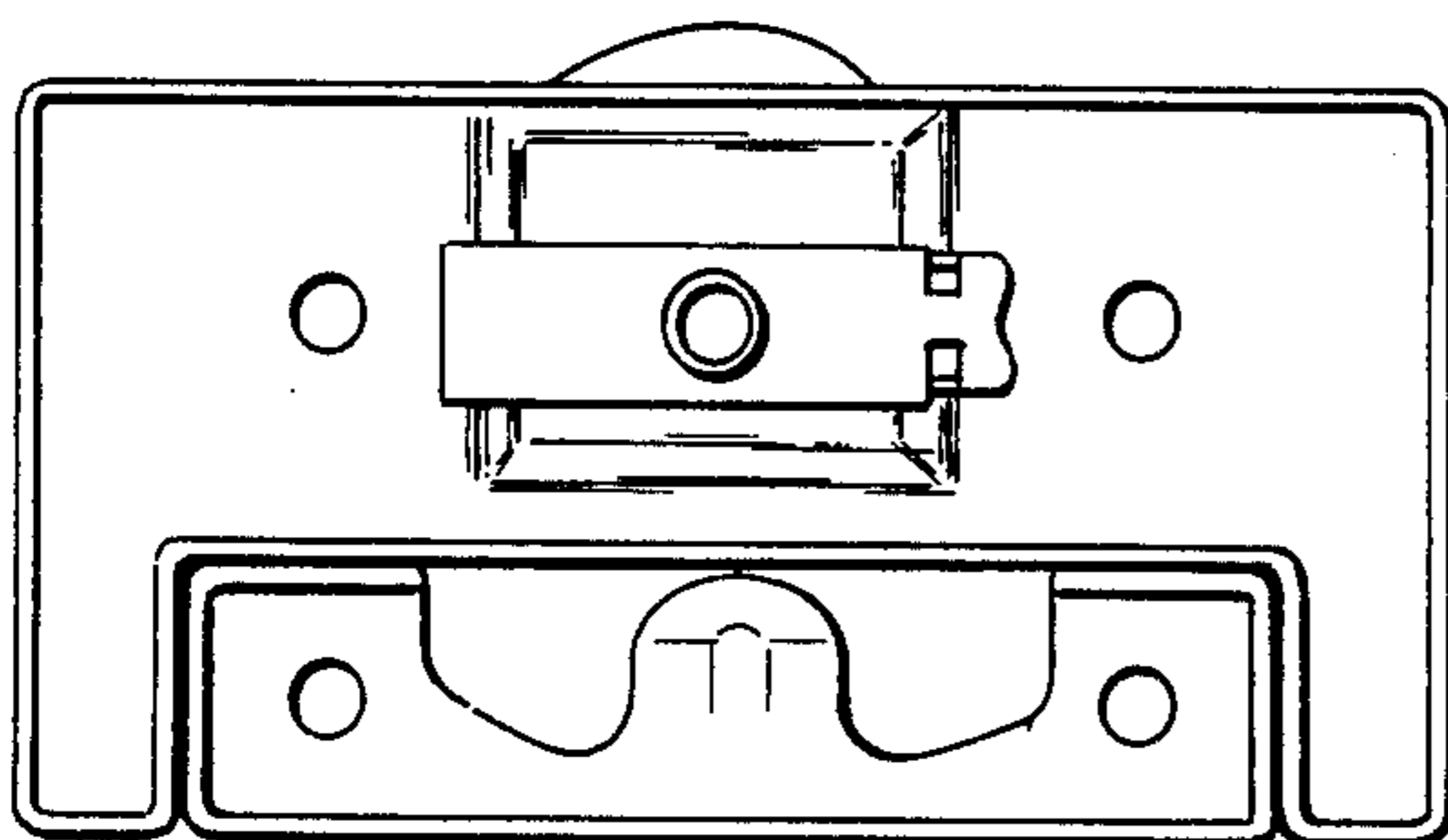




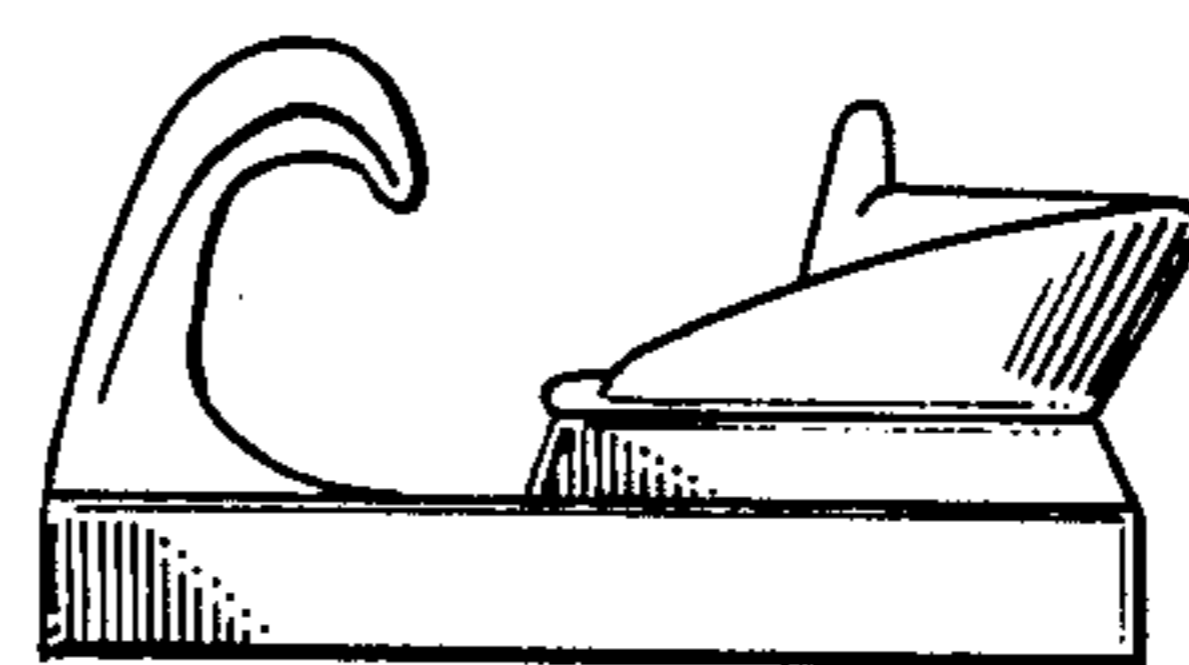
**FIG. 1**



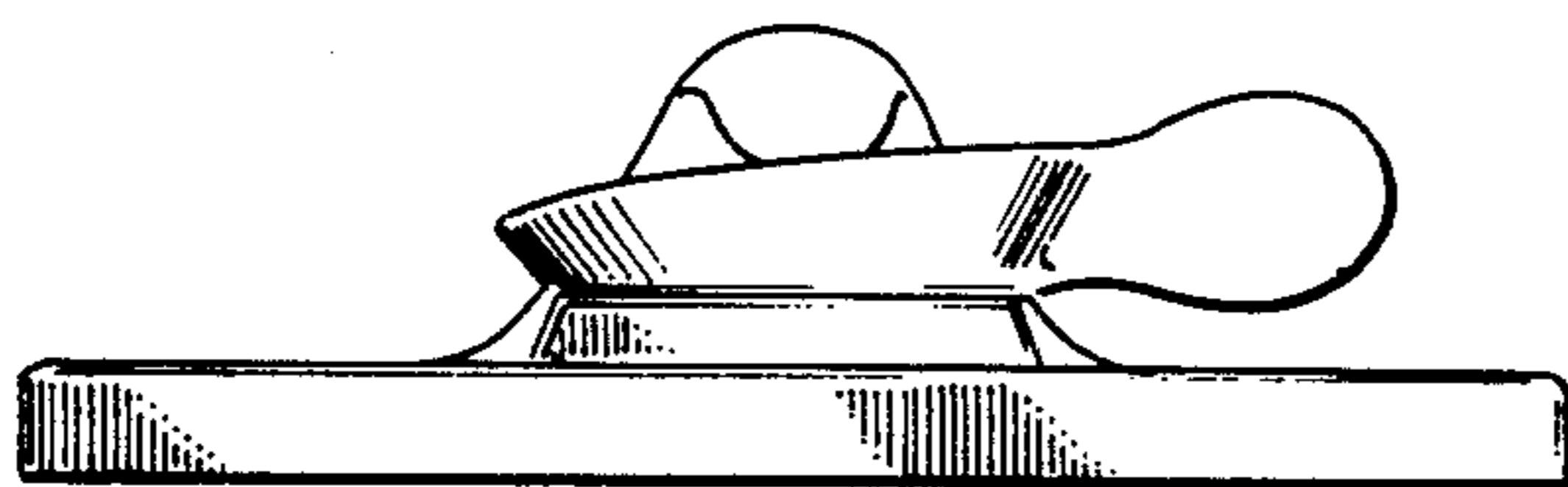
**FIG. 2**



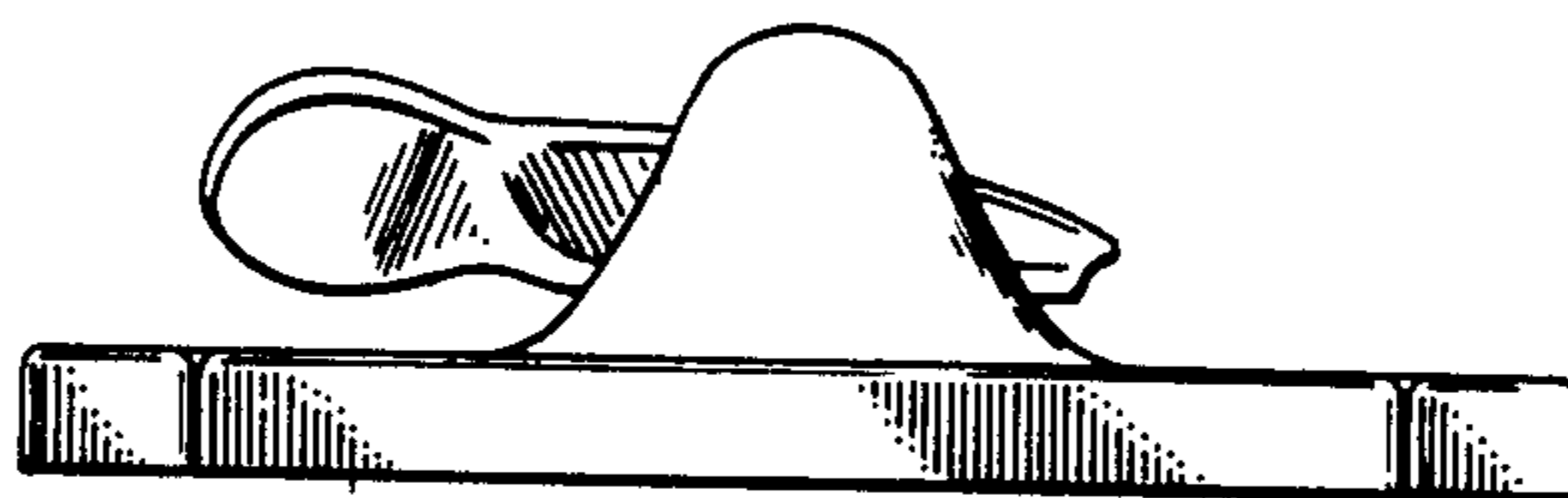
**FIG. 3**



**FIG. 4**



**FIG. 5**



**FIG. 6**