

United States Patent [19]

Matthews et al.

[11] **Des. 249,015**

[45] **** Aug. 22, 1978**

[54] **PIPE CUTTER**

[75] Inventors: **Bruce Ernest Matthews, Warrandyte;
Ronald Day, Mt. Evelyn, both of
Australia**

[73] Assignee: **The Stanley Works Pty. Ltd.,
Nunawading, Australia**

[**] Term: **14 Years**

[21] Appl. No.: **769,030**

[22] Filed: **Feb. 16, 1977**

[30] **Foreign Application Priority Data**

Aug. 19, 1976 [AU] Australia 69866/76

[51] Int. Cl. **D8-05**

[52] U.S. Cl. **D8/60**

[58] Field of Search D8/60, 52, 98; 30/96,
30/95, 94

[56] **References Cited**

U.S. PATENT DOCUMENTS

D. 181,210 10/1957 Lindley et al. D8/60
198,709 12/1877 Thornton 30/94
531,549 12/1894 McCarthy et al. 30/94

Primary Examiner—Alan P. Douglas

Attorney, Agent, or Firm—Peter L. Costas

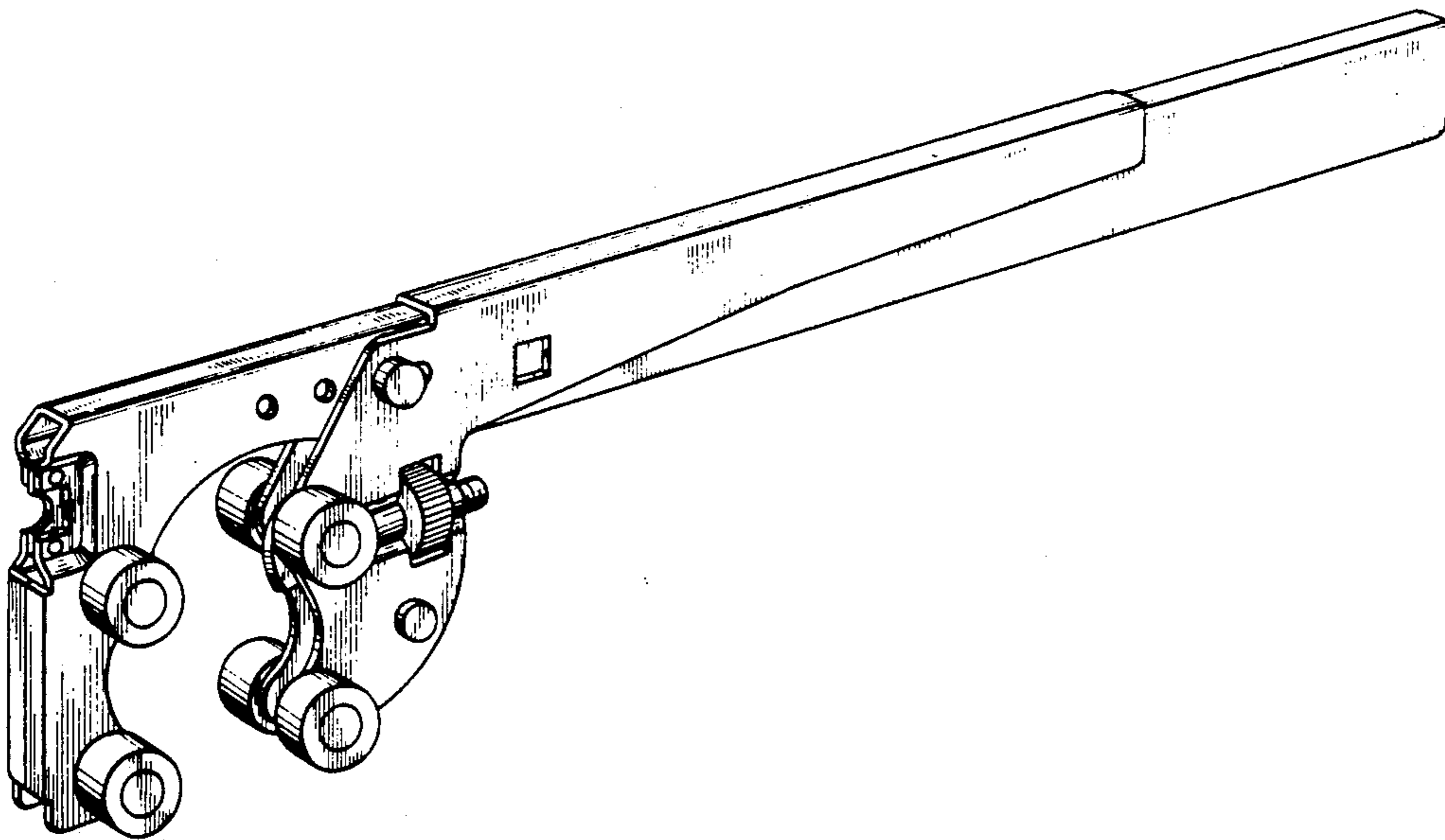
[57] **CLAIM**

The ornamental design for a pipe cutter, as shown.

DESCRIPTION

FIG. 1 is a front perspective view from one side of the pipe cutter.

FIG. 2 is a rear perspective view from the other side of the pipe cutter.



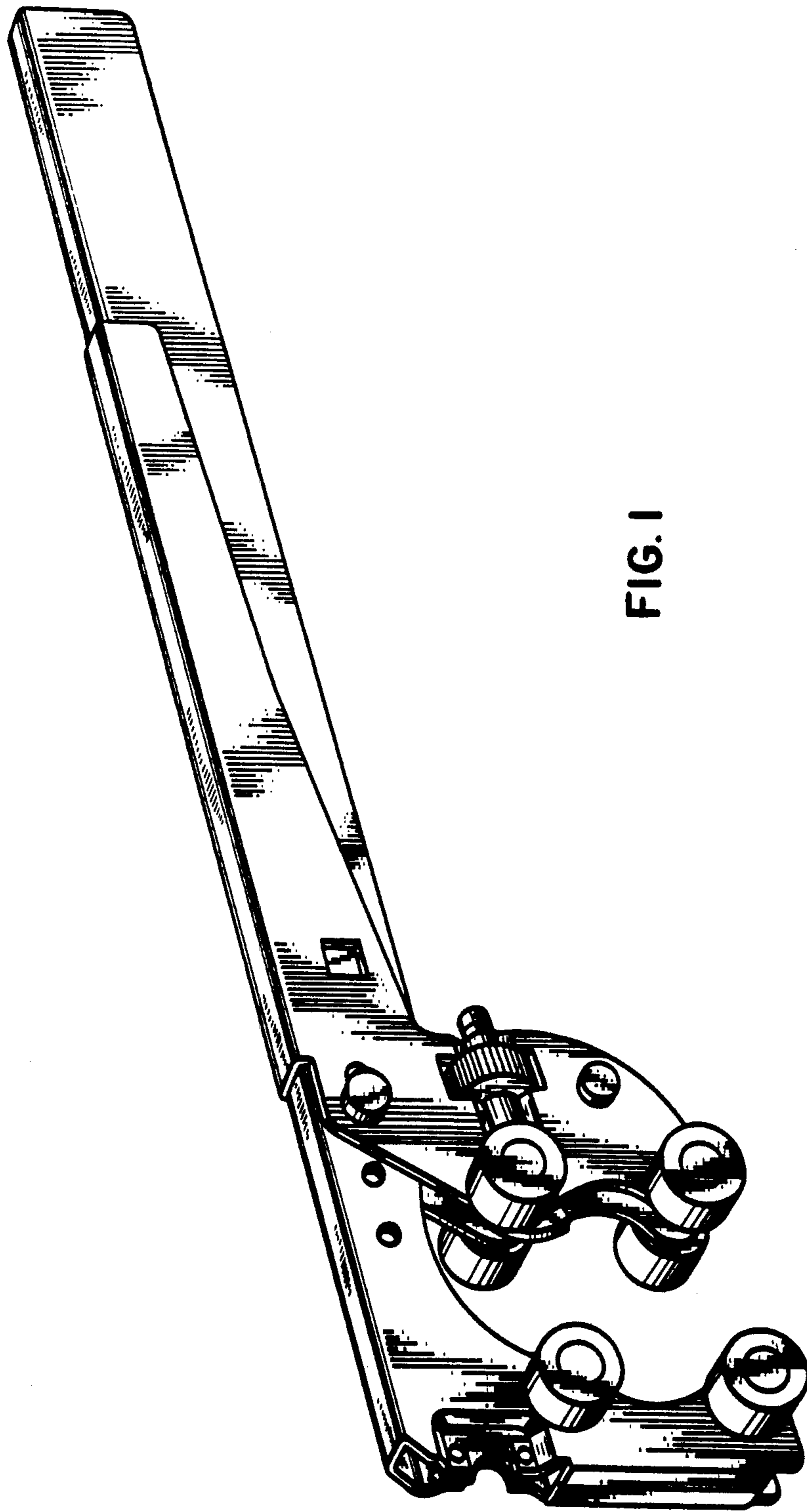


FIG. 1

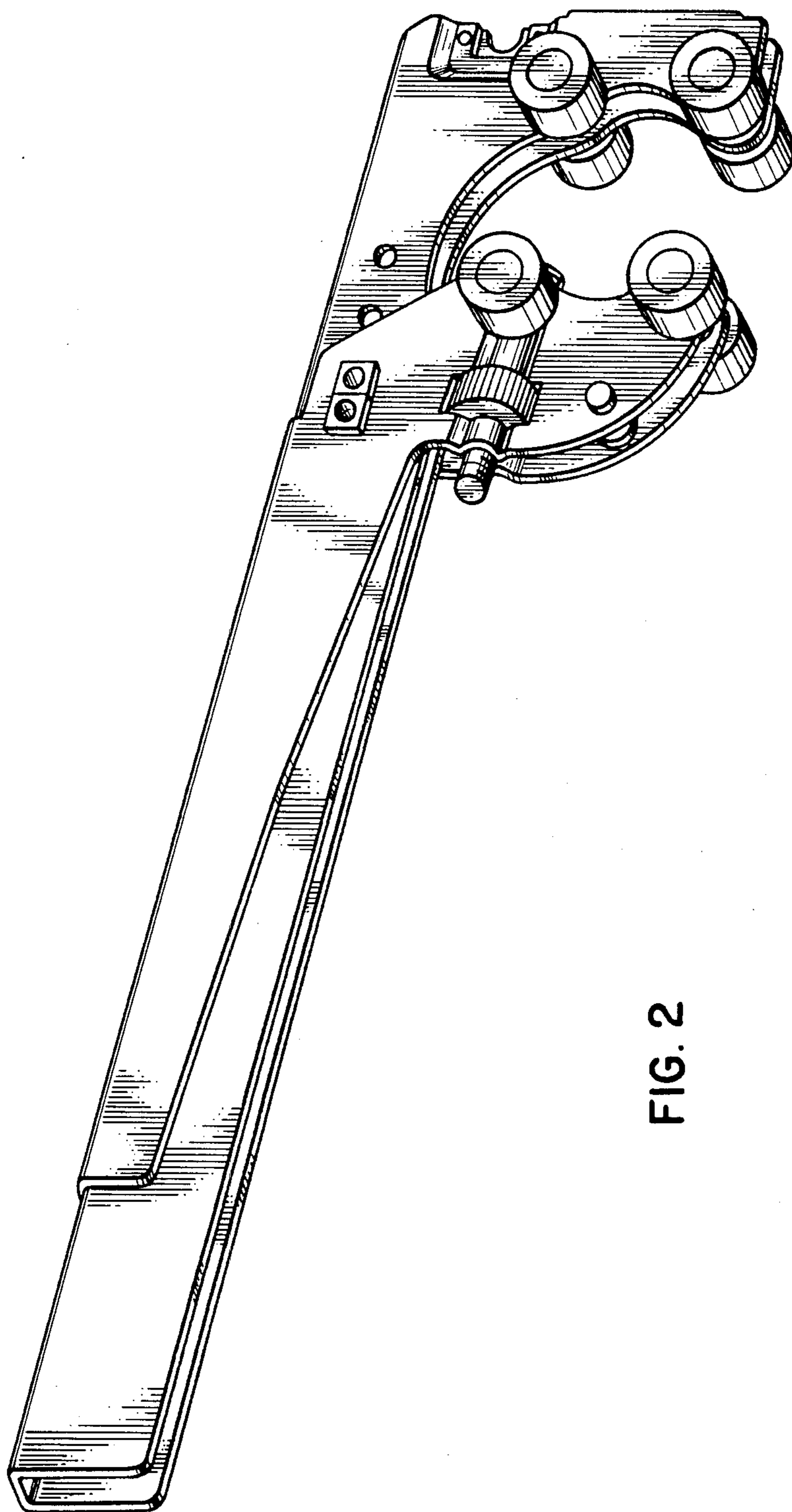


FIG. 2