

[54] **BROILER PAN OR SIMILAR ARTICLE**  
 [75] Inventors: **Lawrence L. Grove, Allentown; Paul V. Snyder, Whitehall, both of Pa.**  
 [73] Assignee: **General Electric Company**  
 [\*\*] Term: **14 Years**  
 [21] Appl. No.: **696,119**  
 [22] Filed: **Jun. 14, 1976**

[51] Int. Cl. .... **D7-04**  
 [52] U.S. Cl. .... **D7/91; D7/126**  
 [58] Field of Search ..... **D7/37, 91, 111, 117, D7/118, 121, 122, 125, 126, 129, 130; 211/13, 86, 126, 134, 135; 219/342, 347, 385, 386, 391, 392, 393, 395, 402; 99/325, 341, 385, 391, 392, 393, 400, 422, 425, 444**

[56] **References Cited**  
**U.S. PATENT DOCUMENTS**  
 D. 189,409 12/1960 Booty ..... D7/91

D. 224,920 10/1972 Reagan ..... D7/126  
 3,119,000 1/1964 Loch et al. .... 219/413

**OTHER PUBLICATIONS**

Proctor-Silex Starflite Toaster Oven Plus-Model 0802w Flyer rec'd 8-16-76.

*Primary Examiner*—Wallace R. Burke  
*Assistant Examiner*—Catherine Kemper  
*Attorney, Agent, or Firm*—Leonard J. Platt

[57] **CLAIM**

The ornamental design for a broiler pan or similar article, as shown.

**DESCRIPTION**

FIG. 1 is a top front perspective view of a broiler pan showing our new design;  
 FIG. 2 is a top plan view thereof;  
 FIG. 3 is a front elevational view thereof;  
 FIG. 4 is a rear elevational view thereof;  
 FIG. 5 is a left side elevational view thereof; and  
 FIG. 6 is a right side elevational view thereof.

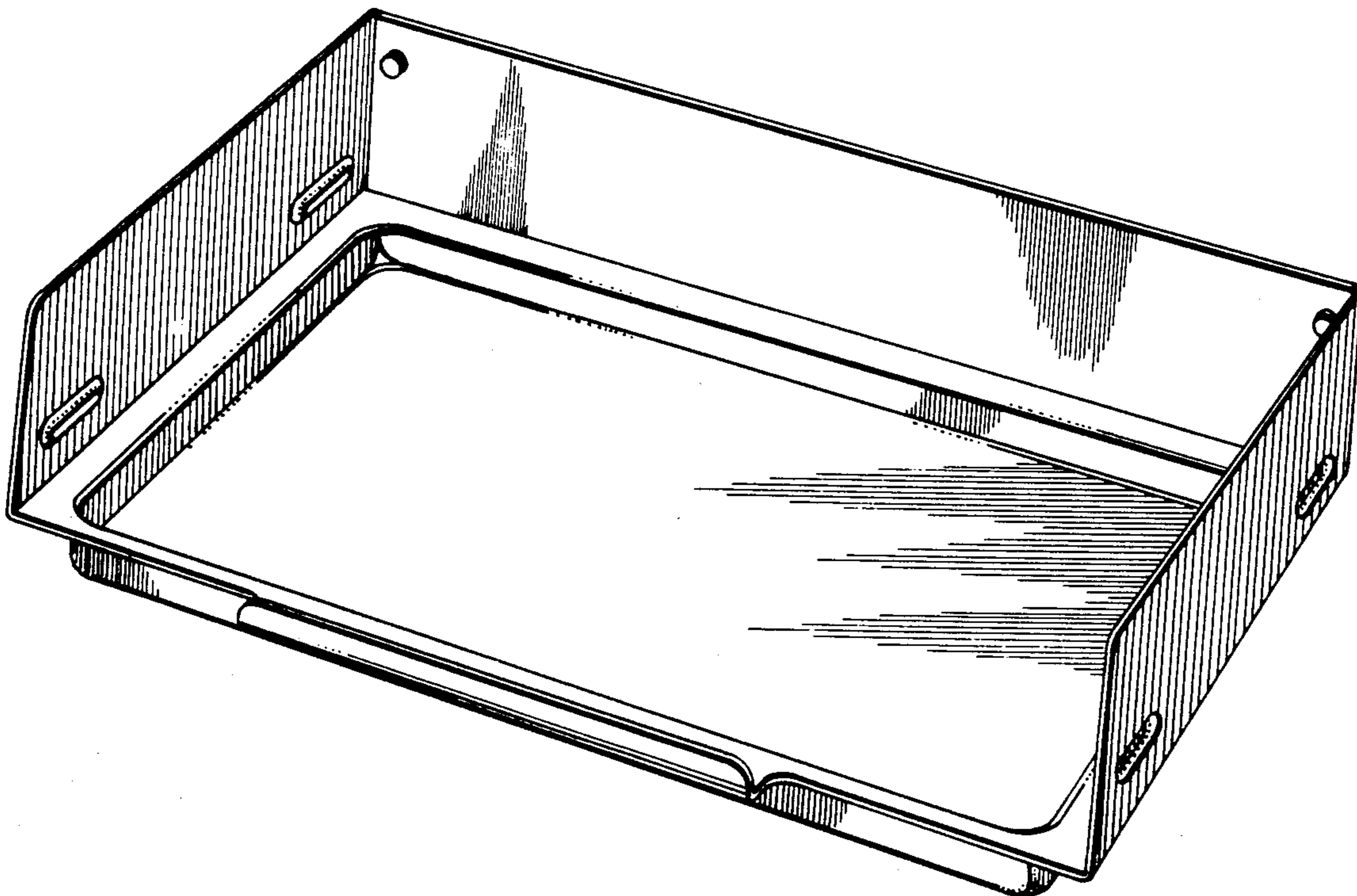


Fig. 1.

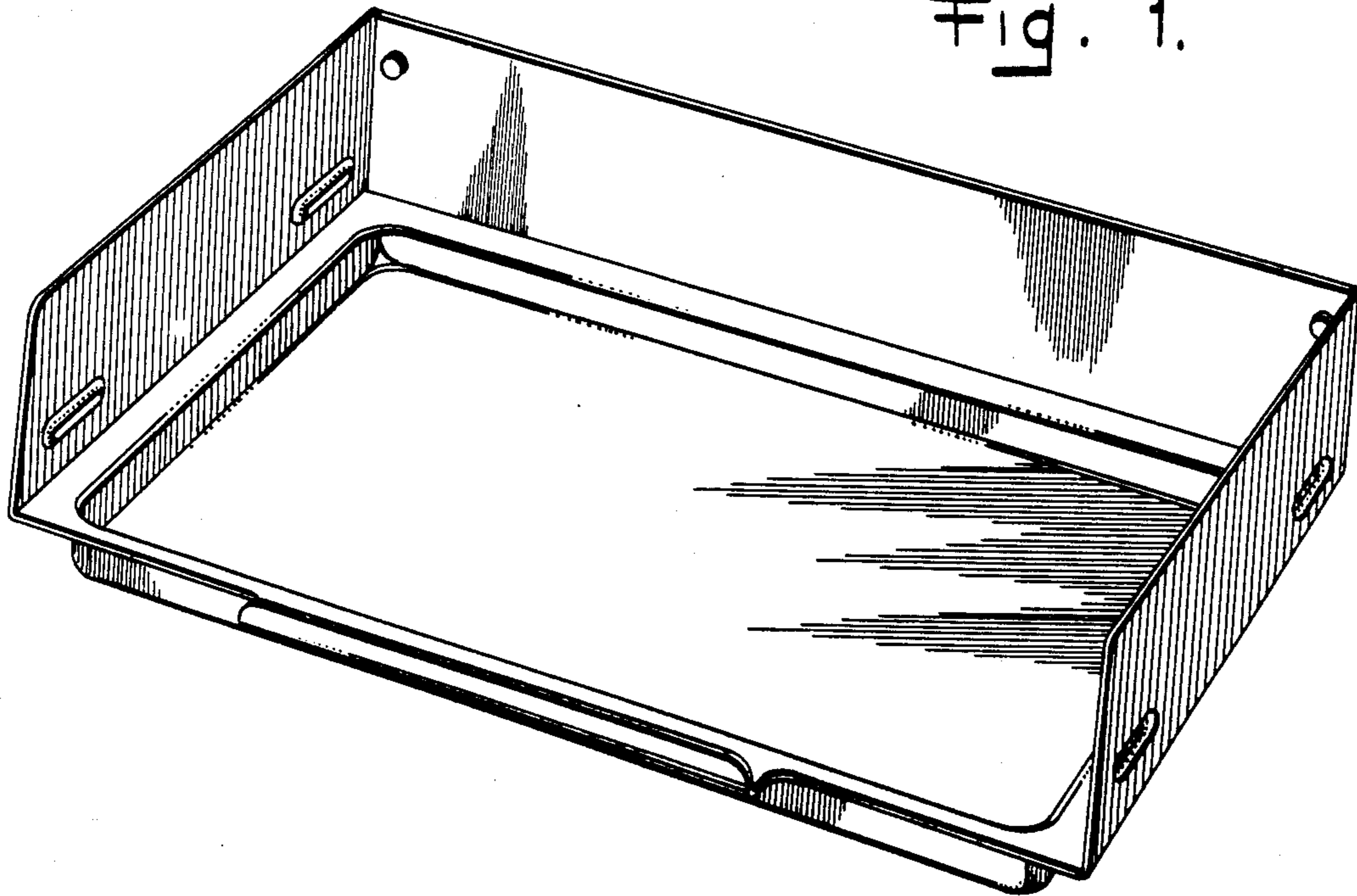


Fig. 2.

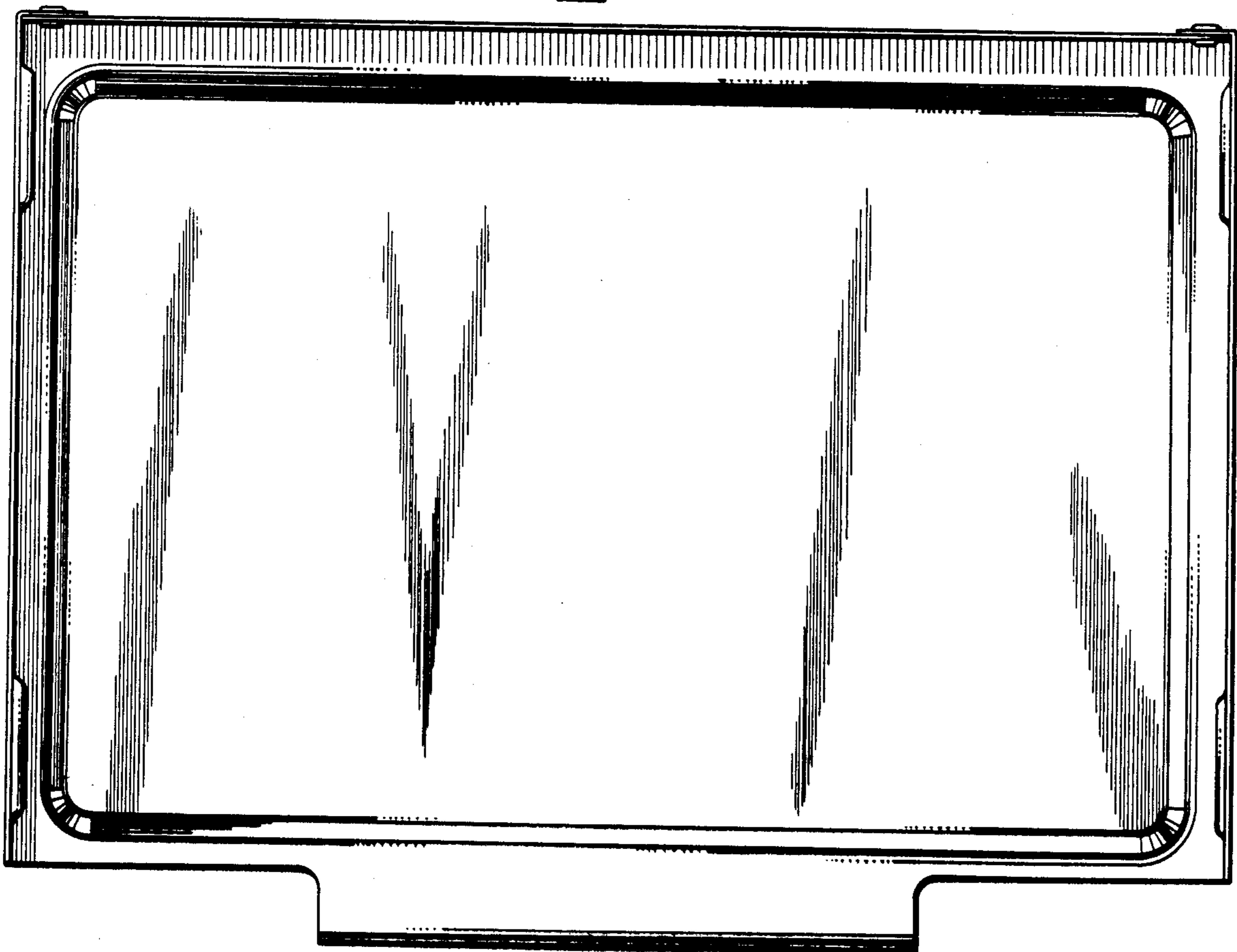


Fig. 3.

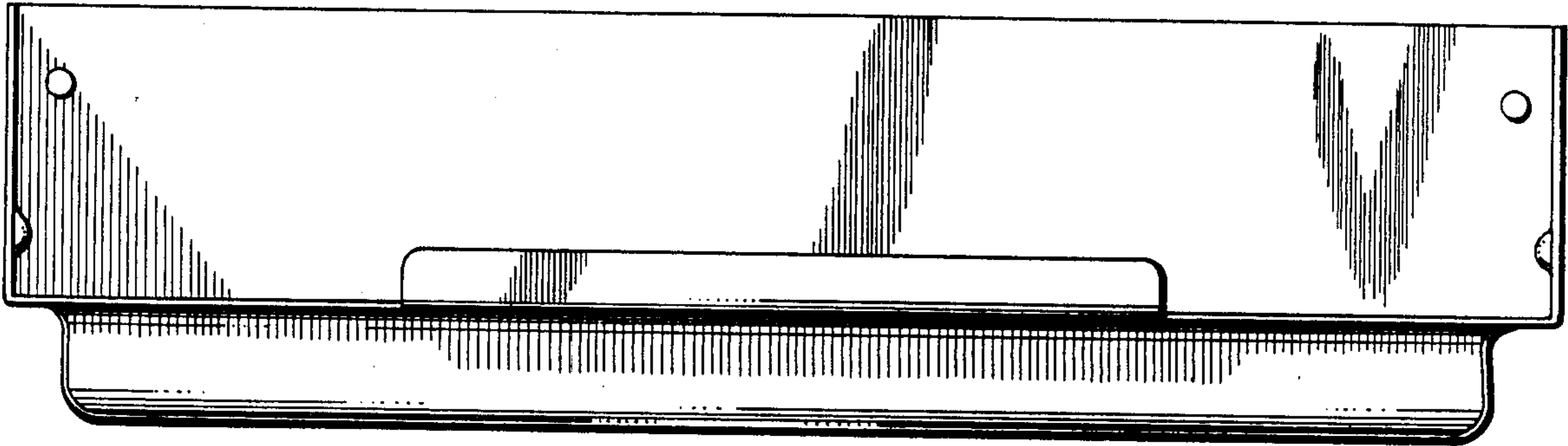


Fig. 4.

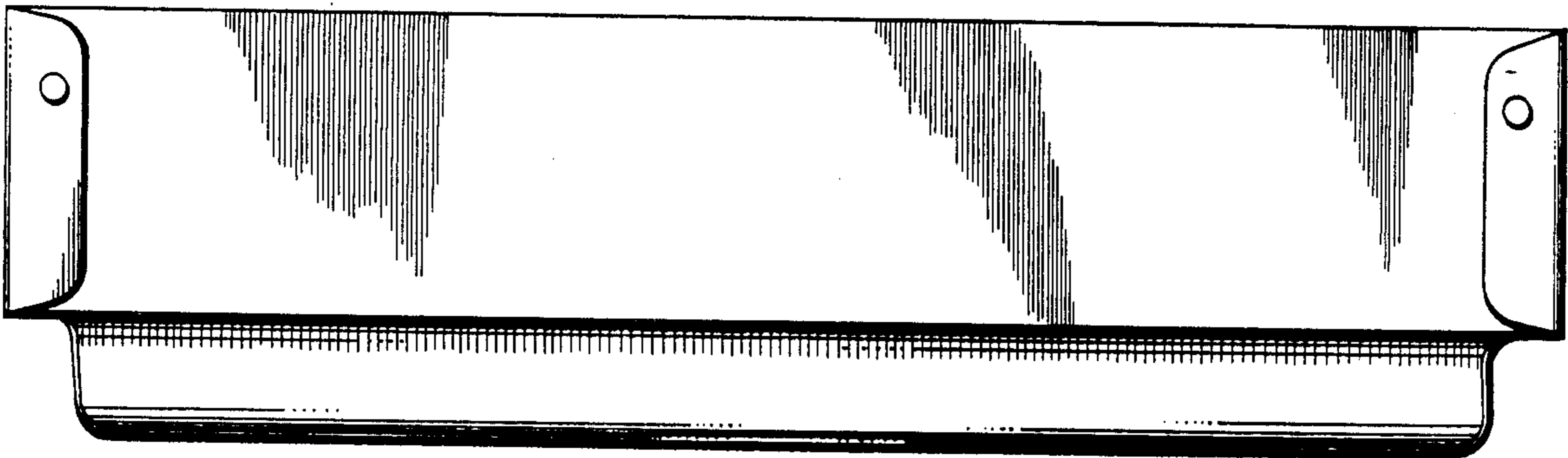


Fig. 5.

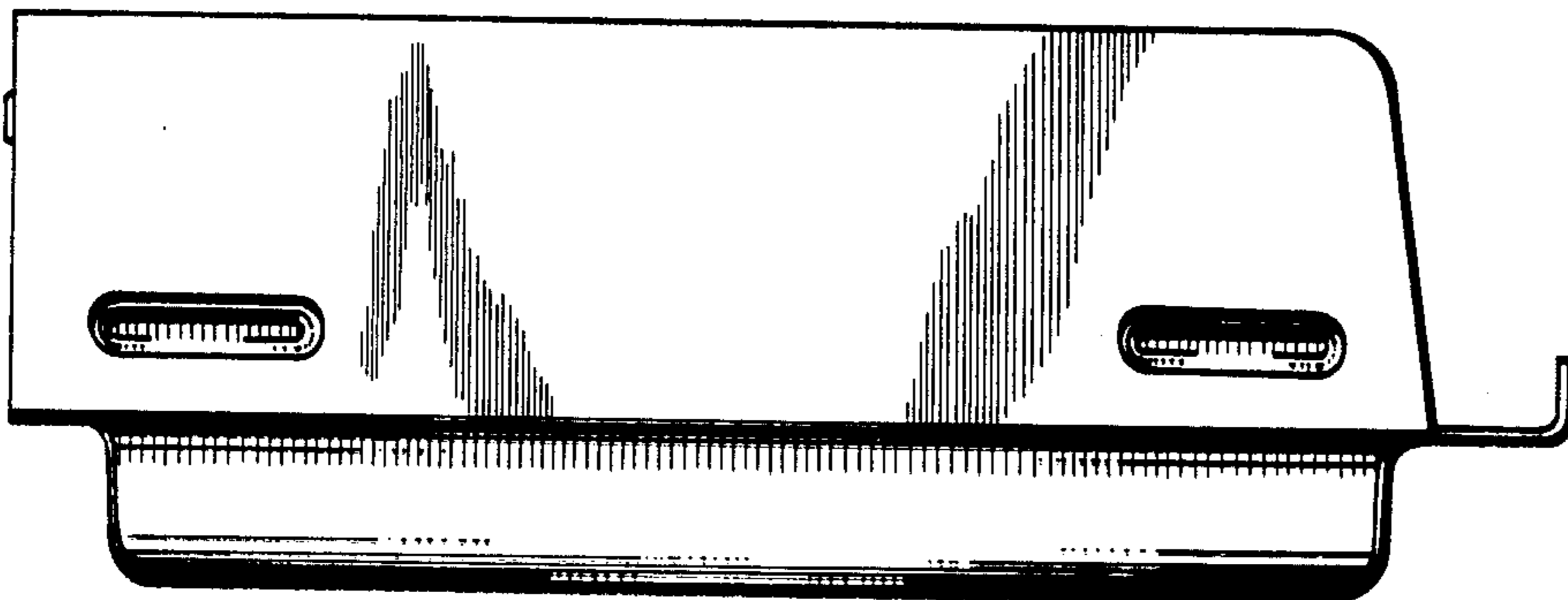


FIG. 6.

