

[54] TABLE

[76] Inventor: **Thomas A. Alexander**, 1318 Yale St.,
Apt. A, Santa Monica, Calif. 90404

[**] Term: **14 Years**

[21] Appl. No.: **747,260**

[22] Filed: **Dec. 3, 1976**

[51] Int. Cl. **D6-03**

[52] U.S. Cl. **D6/177**

[58] Field of Search **D6/146-149,**
D6/27, 175-179

[56] **References Cited**

U.S. PATENT DOCUMENTS

3,788,700 1/1974 Wartes **D6/64 X**

OTHER PUBLICATIONS

Popular Mechanics, 2-1937, p. 277, table.
"The Home Craftsman's Book" ©1954, p. 32, table in
panel 9.

Primary Examiner—Bruce W. Dunkins
Attorney, Agent, or Firm—Ralph B. Pastoriza

[57] **CLAIM**

The ornamental design for a table, substantially as
shown.

DESCRIPTION

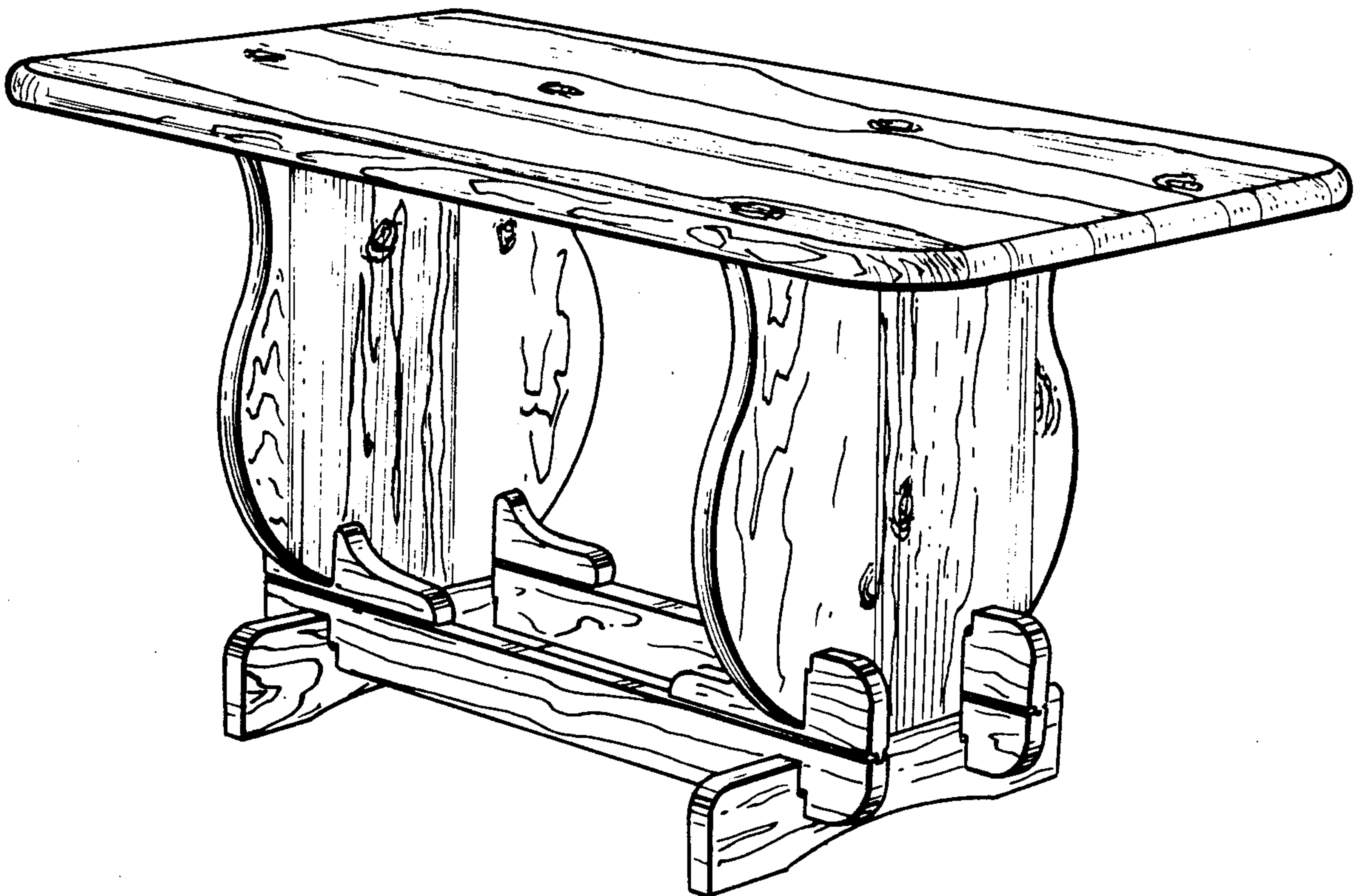
FIG. 1 is a perspective view of a table showing my new
design;

FIG. 2 is an end elevational view thereof, a view from
the opposite end being the same;

FIG. 3 is a side elevational view thereof, the view from
the opposite side being the same;

FIG. 4 is a top plan view thereof; and,

FIG. 5 is a bottom plan view thereof.



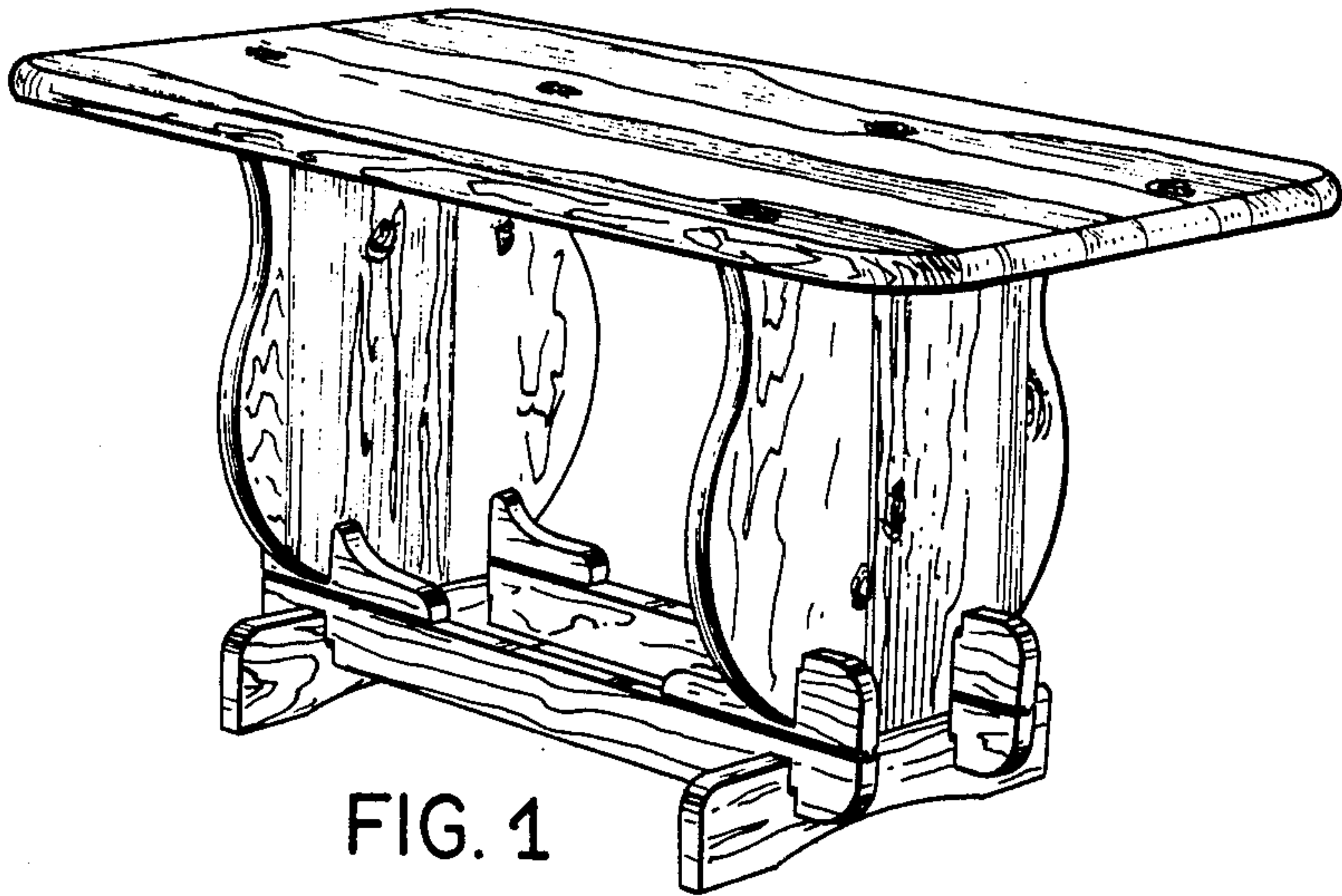


FIG. 1

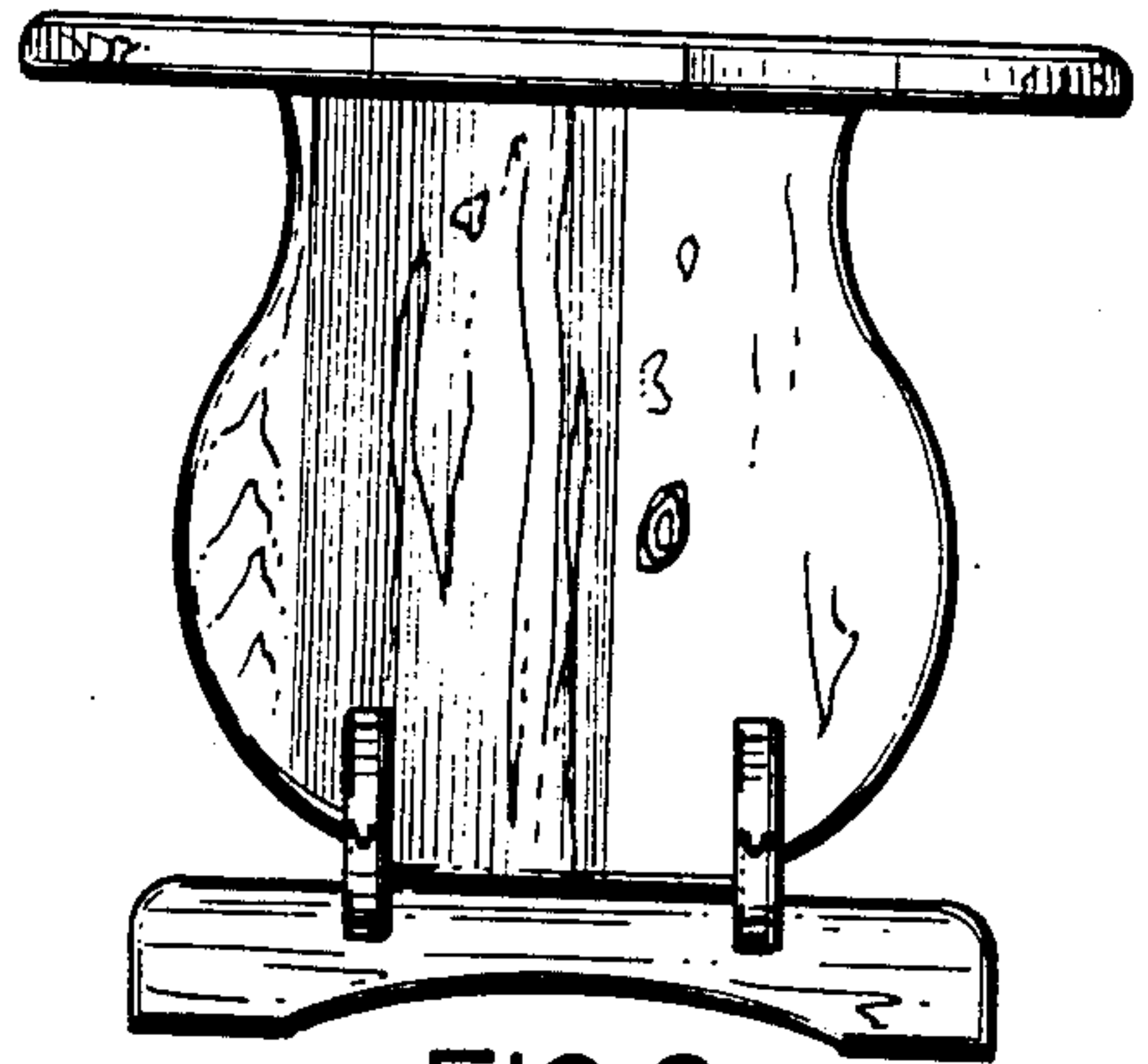


FIG. 2

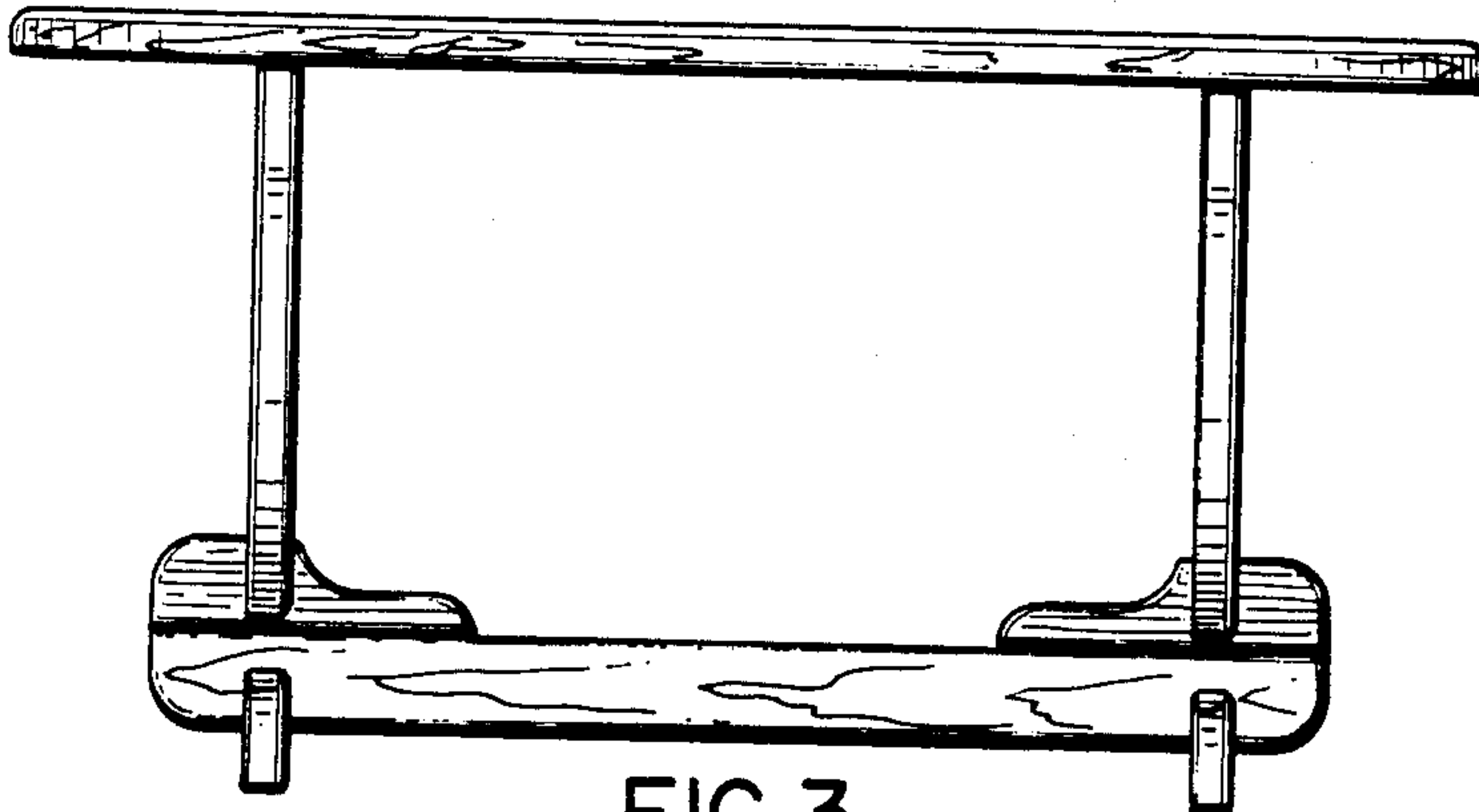


FIG. 3

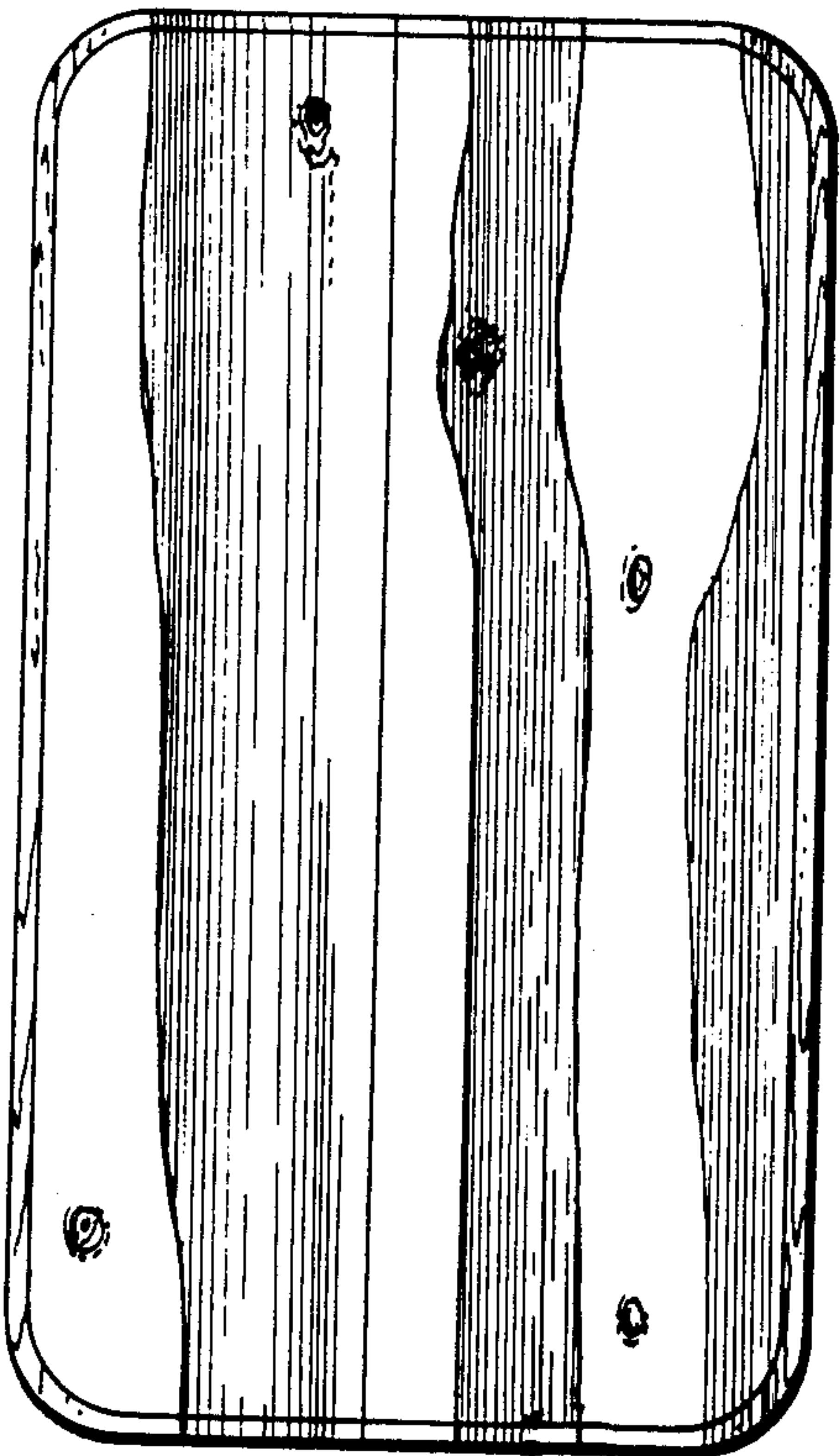


FIG. 4

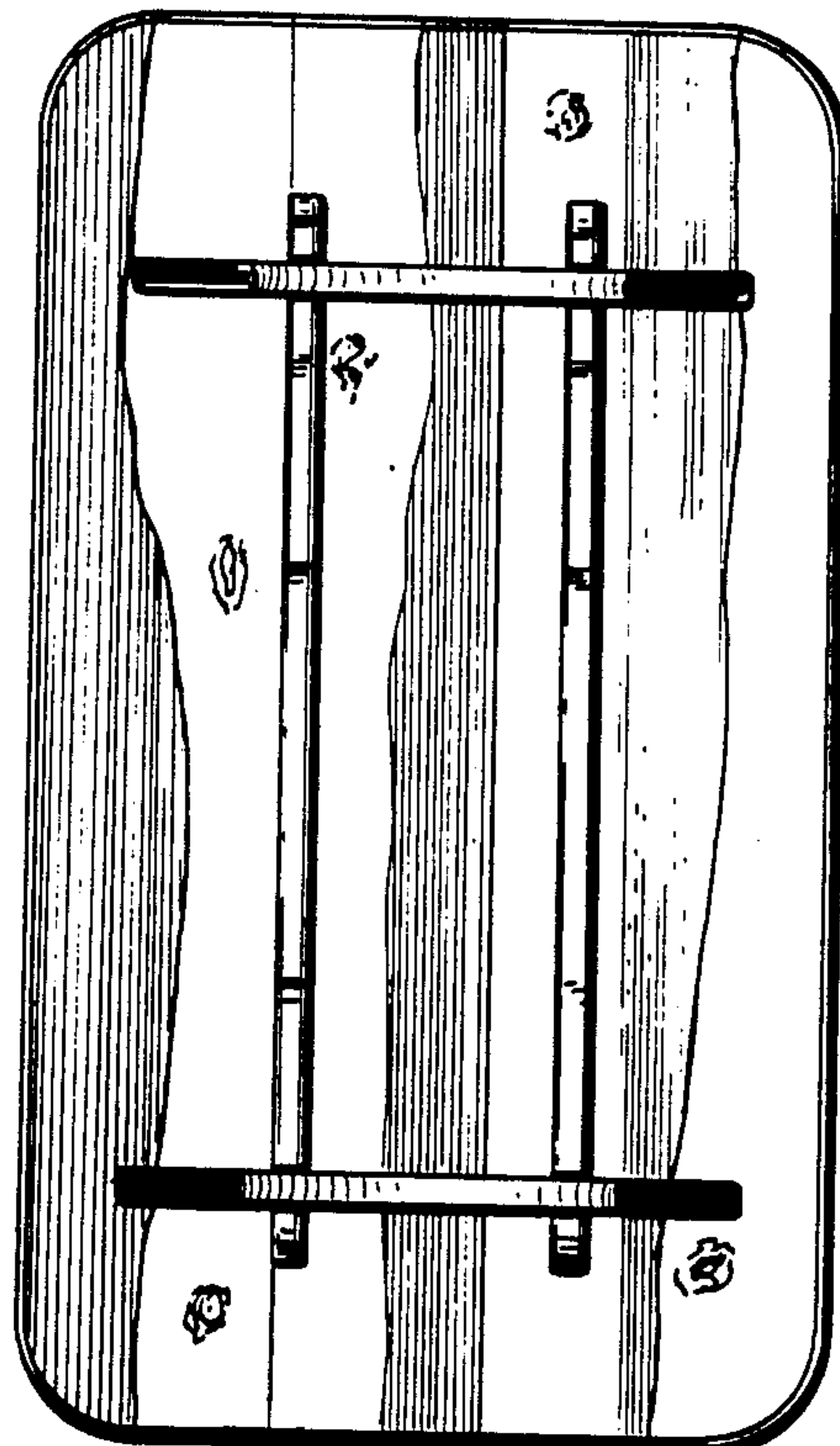


FIG. 5