

[54] PAPER ROLL HOLDER

[76] Inventor: Bennie L. House, P.O. 577, Hickory Ridge, Ark. 72347

[**] Term: 14 Years

[21] Appl. No.: 784,621

[22] Filed: Apr. 4, 1977

[51] Int. Cl. D23-02
[52] U.S. Cl. D6/97
[58] Field of Search D6/86, 89-92,
D6/94, 96, 97, 99-102, 114, 123, 130, 132, 136;
242/55.2, 55.3

[56] References Cited

U.S. PATENT DOCUMENTS

710,034	9/1902	Belknap	D6/97
873,188	12/1907	Thumann	242/55.2
1,096,071	5/1914	Sturgis	242/55.2
2,699,903	1/1955	Montgomery	242/55.2

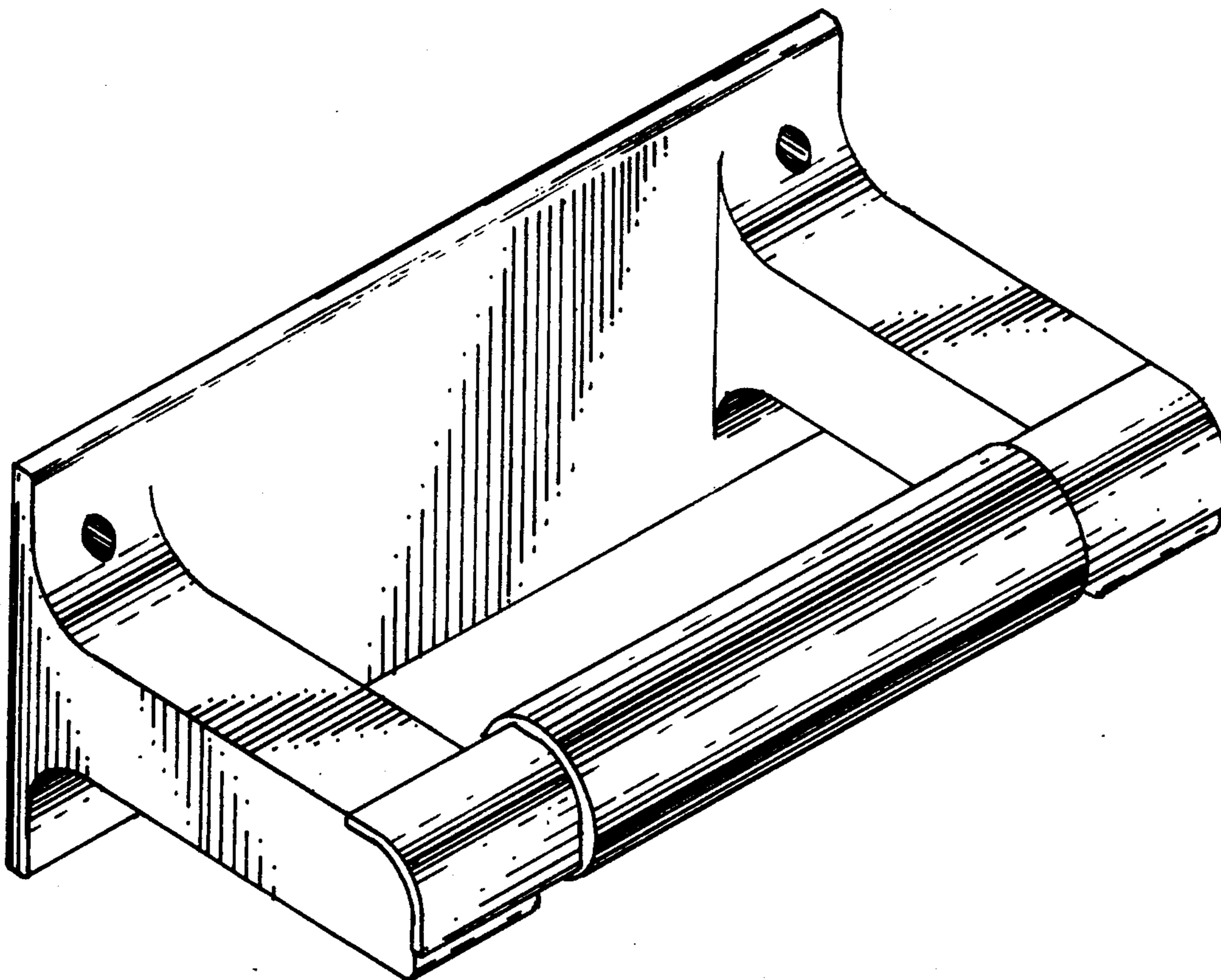
Primary Examiner—Wallace R. Burke
Assistant Examiner—B. J. Bullock
Attorney, Agent, or Firm—Robert R. Keegan

[57] CLAIM

The ornamental design for a paper roll holder, as shown and described.

DESCRIPTION

FIG. 1 is a reduced isometric view of a paper roll holder embodying my new design.
FIG. 2 is a top plan view thereof.
FIG. 3 is a side elevational view thereof.
FIG. 4 is a bottom plan view thereof.



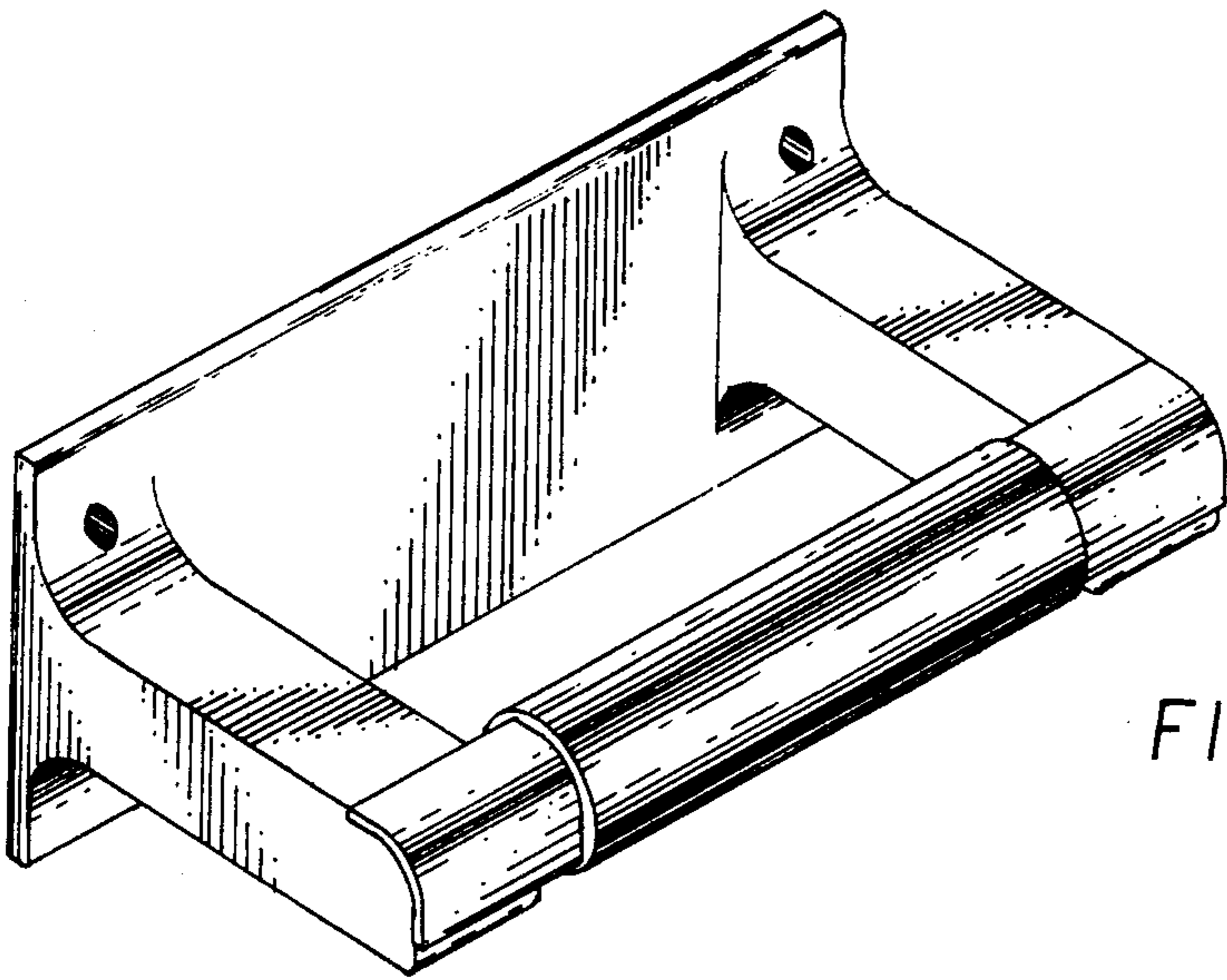


FIG. 1

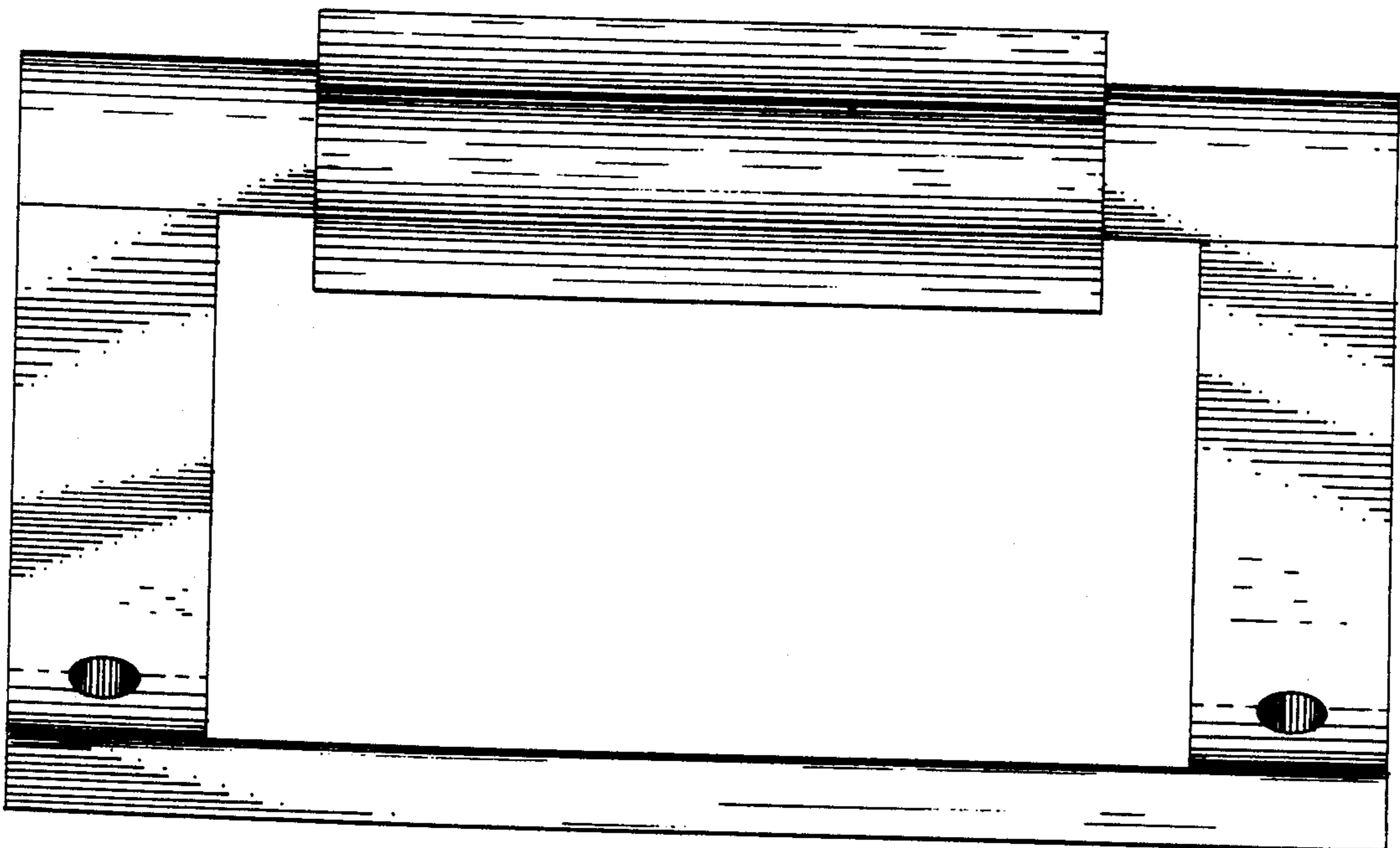


FIG. 2

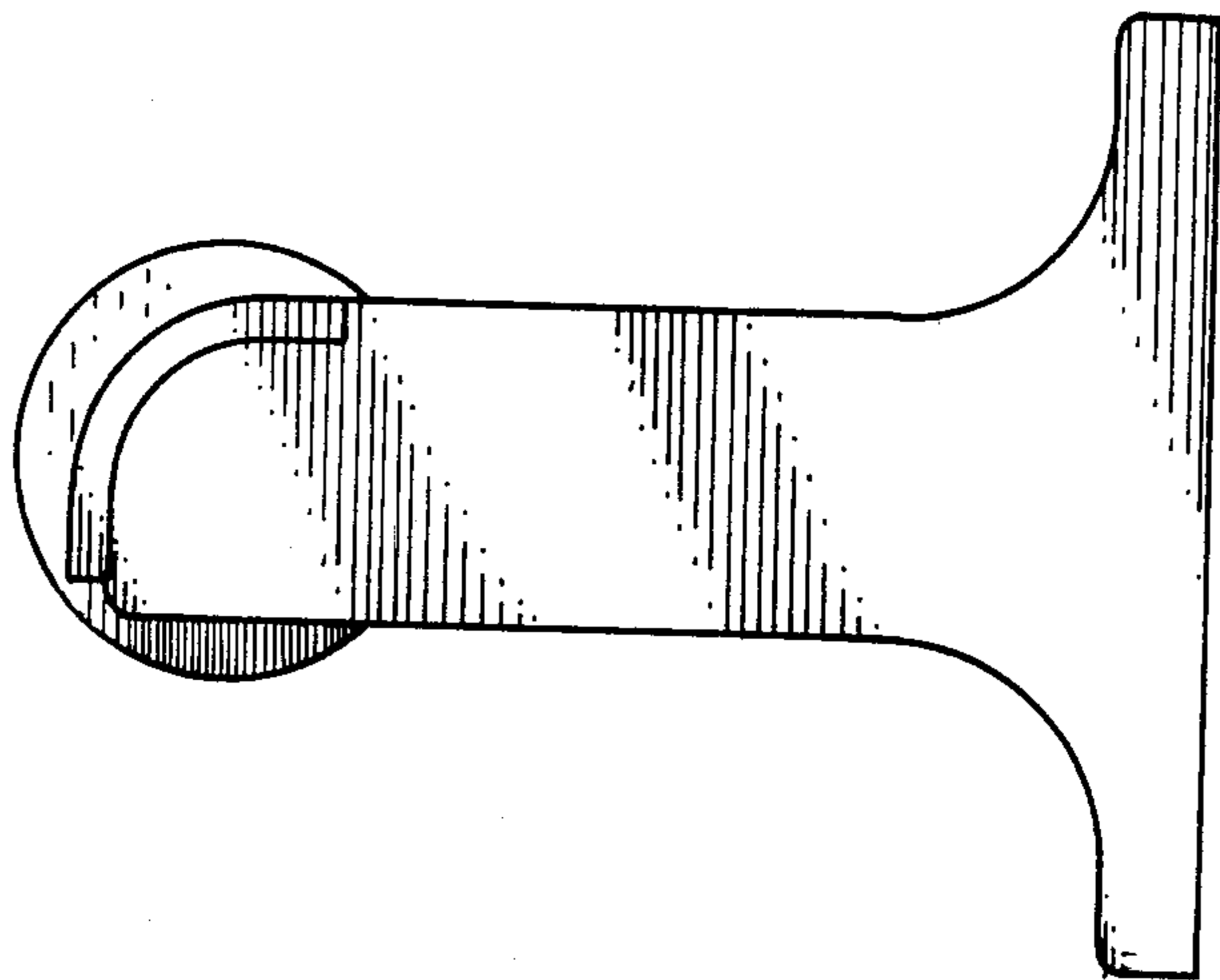


FIG. 3

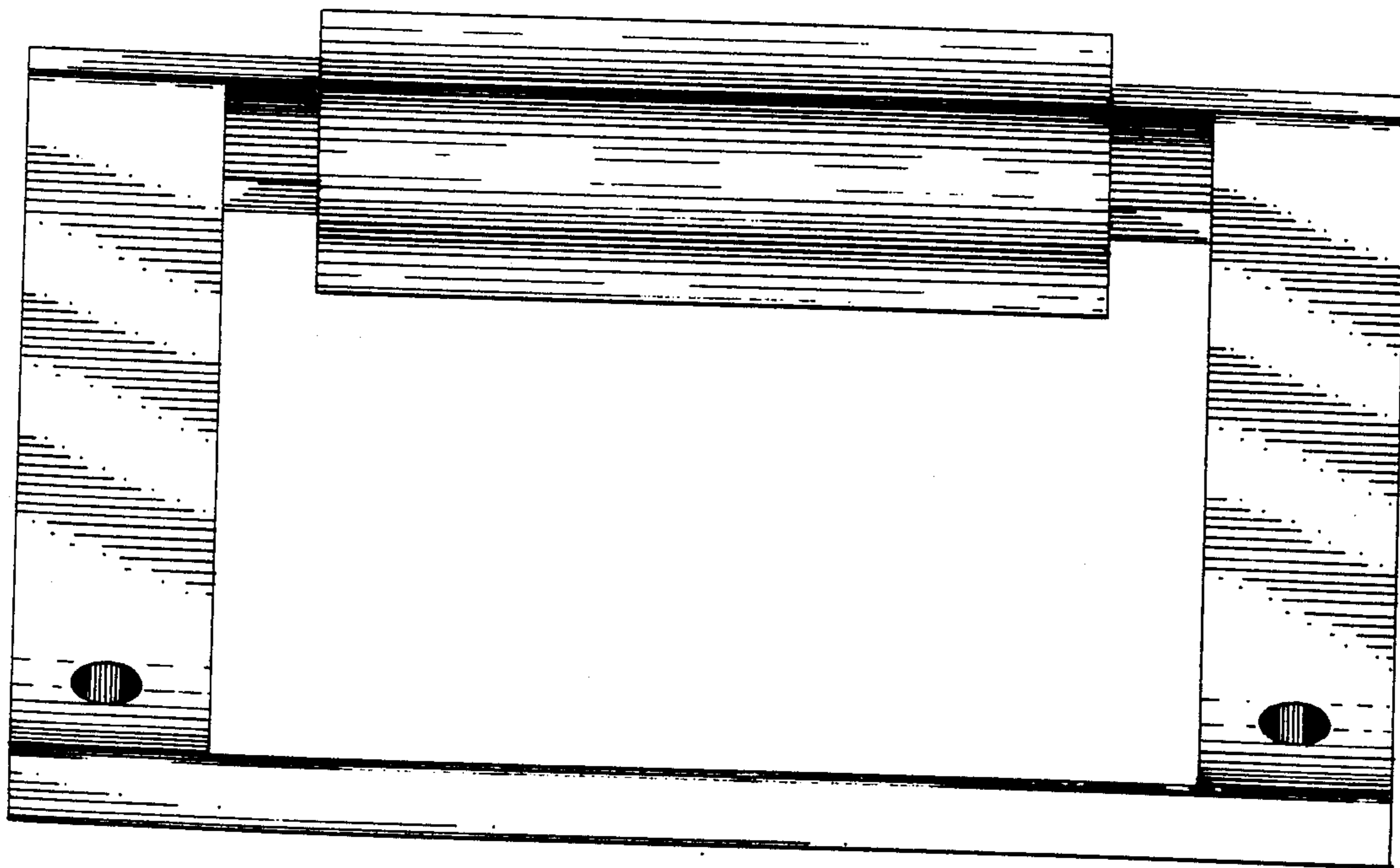


FIG. 4