

[54] WRIST ASH TRAY

2,919,096 12/1959 Cohen 131/241 X
3,349,778 10/1967 Jablonski 131/241

[76] Inventor: Earl C. Carter, P.O. Box 93,
Charleston, W. Va. 25321

FOREIGN PATENT DOCUMENTS

968,960 12/1950 France 131/241

[**] Term: 14 Years

Primary Examiner—Wallace R. Burke
Assistant Examiner—Catherine Kemper
Attorney, Agent, or Firm—Stanely B. Green

[21] Appl. No.: 710,932

[22] Filed: Aug. 2, 1976

[57] CLAIM

[51] Int. Cl. D27—03

The ornamental design for a wrist ash tray, as shown and described.

[52] U.S. Cl. D27/14

[58] Field of Search D27/8, 14, 15, 27, 28,
D27/29; 220/1 H; 131/240 R, 241, 242, 231,
238

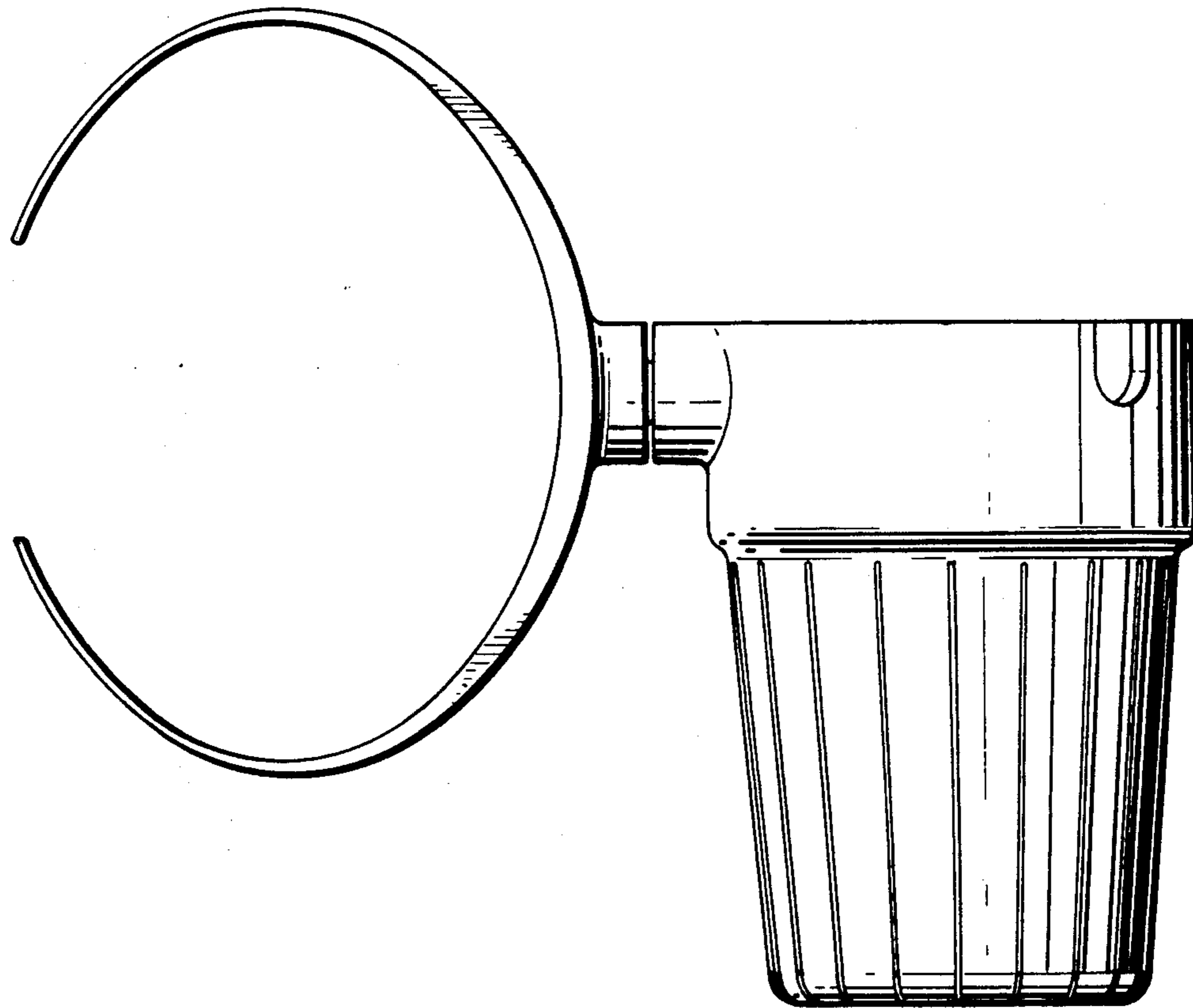
DESCRIPTION

[56] References Cited

U.S. PATENT DOCUMENTS

2,762,377 9/1956 Stephens 131/241
2,903,172 9/1959 Carter 131/241 X

FIG. 1 is a side elevational view of a wrist ash tray showing my new design;
FIG. 2 is a top plan view thereof;
FIG. 3 is a bottom plan view thereof;
FIG. 4 is a front elevational view thereof; and
FIG. 5 is a rear elevational view thereof.



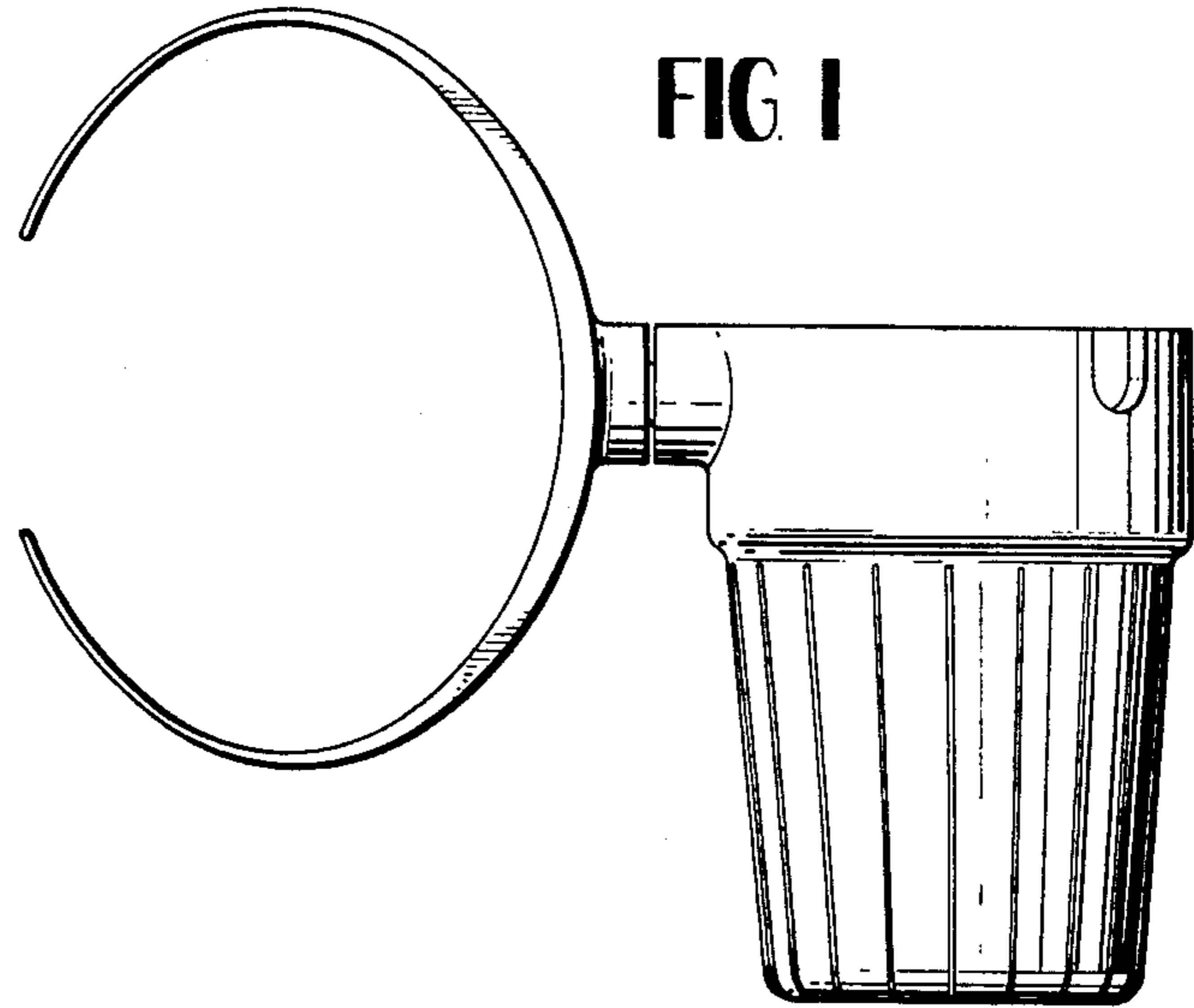


FIG 2

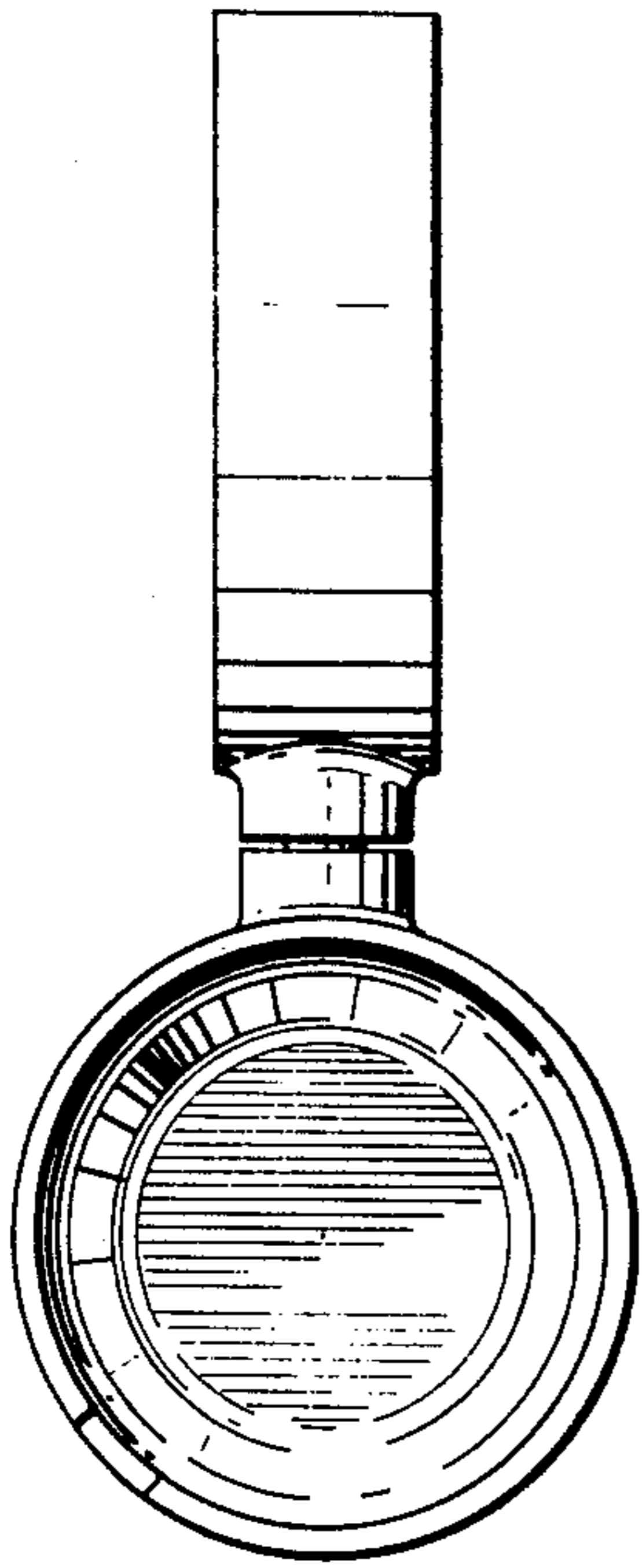


FIG 4

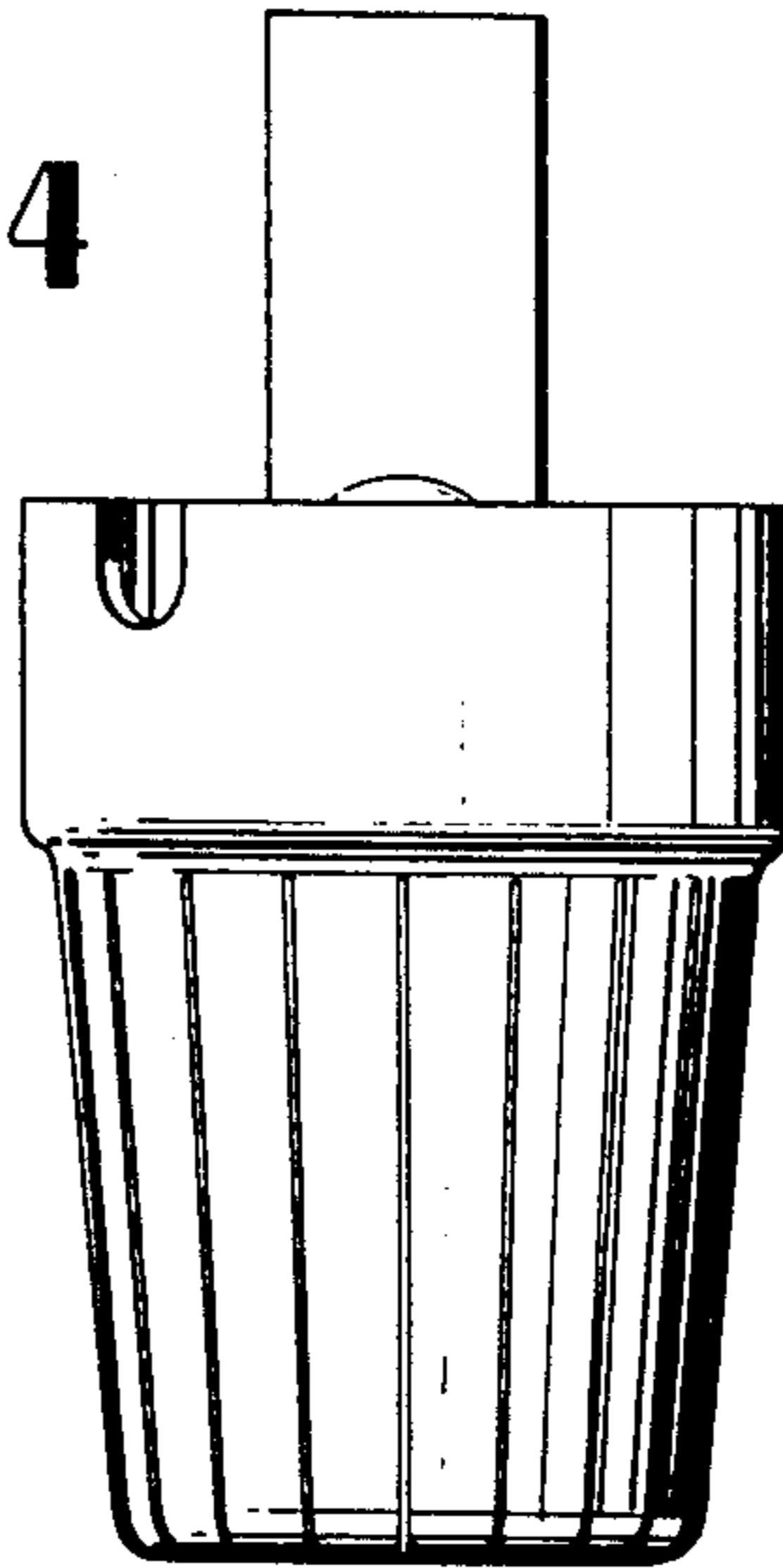


FIG 3

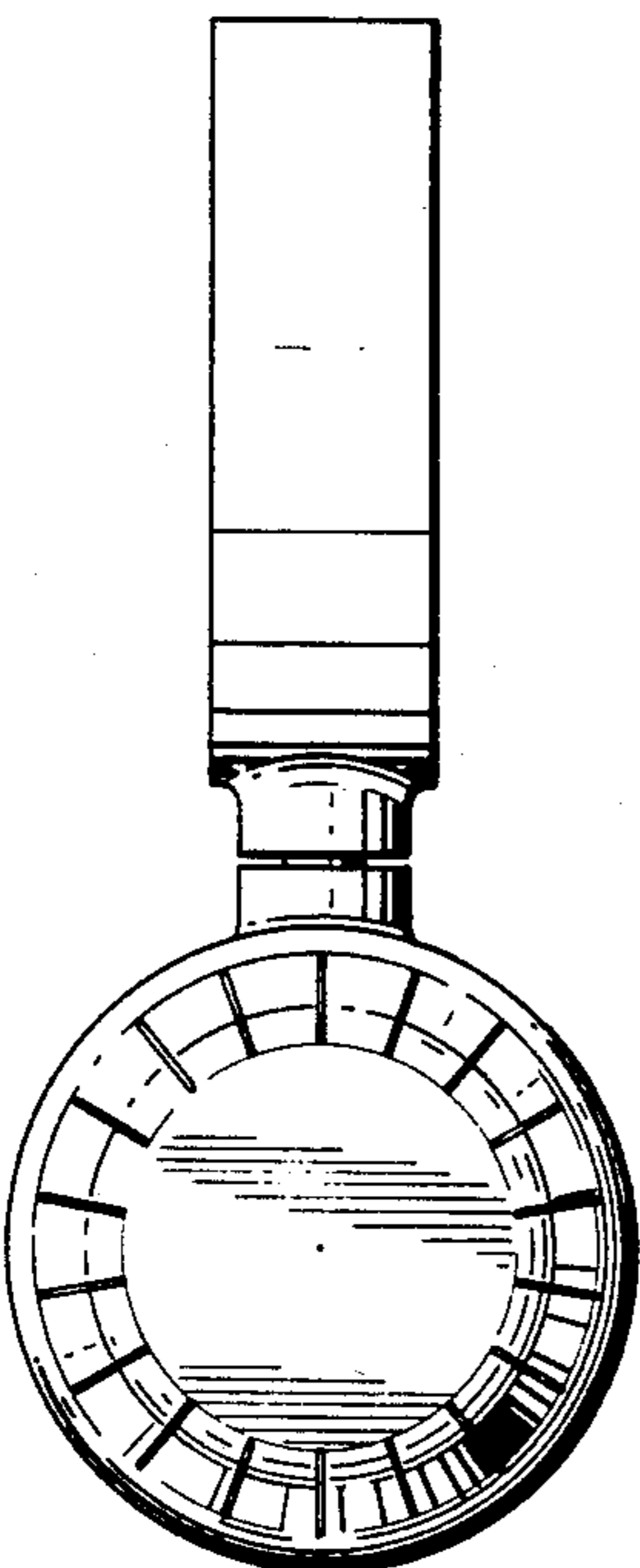


FIG 5

