

[54] AQUARIUM FILTER

[75] Inventor: Allan H. Willinger, New York, N.Y.

[73] Assignee: Willinger Bros., Inc., New York, N.Y.

[**] Term: 14 Years

[21] Appl. No.: 791,165

[22] Filed: Apr. 26, 1977

[51] Int. Cl. D23-01

[52] U.S. Cl. D23/4

[58] Field of Search D23/1-4; 210/169; 119/5

[56] References Cited

U.S. PATENT DOCUMENTS

D. 213,691 4/1969 Rosenel D23/4

D. 216,259	12/1969	Sesholt	D23/4
2,748,075	5/1956	Hovlid	D23/4 X
3,362,537	1/1968	Cline	210/169
3,487,440	12/1969	Newsteder	210/169
3,624,777	11/1971	Gardner	210/169
3,746,169	7/1973	Willinger et al.	210/169

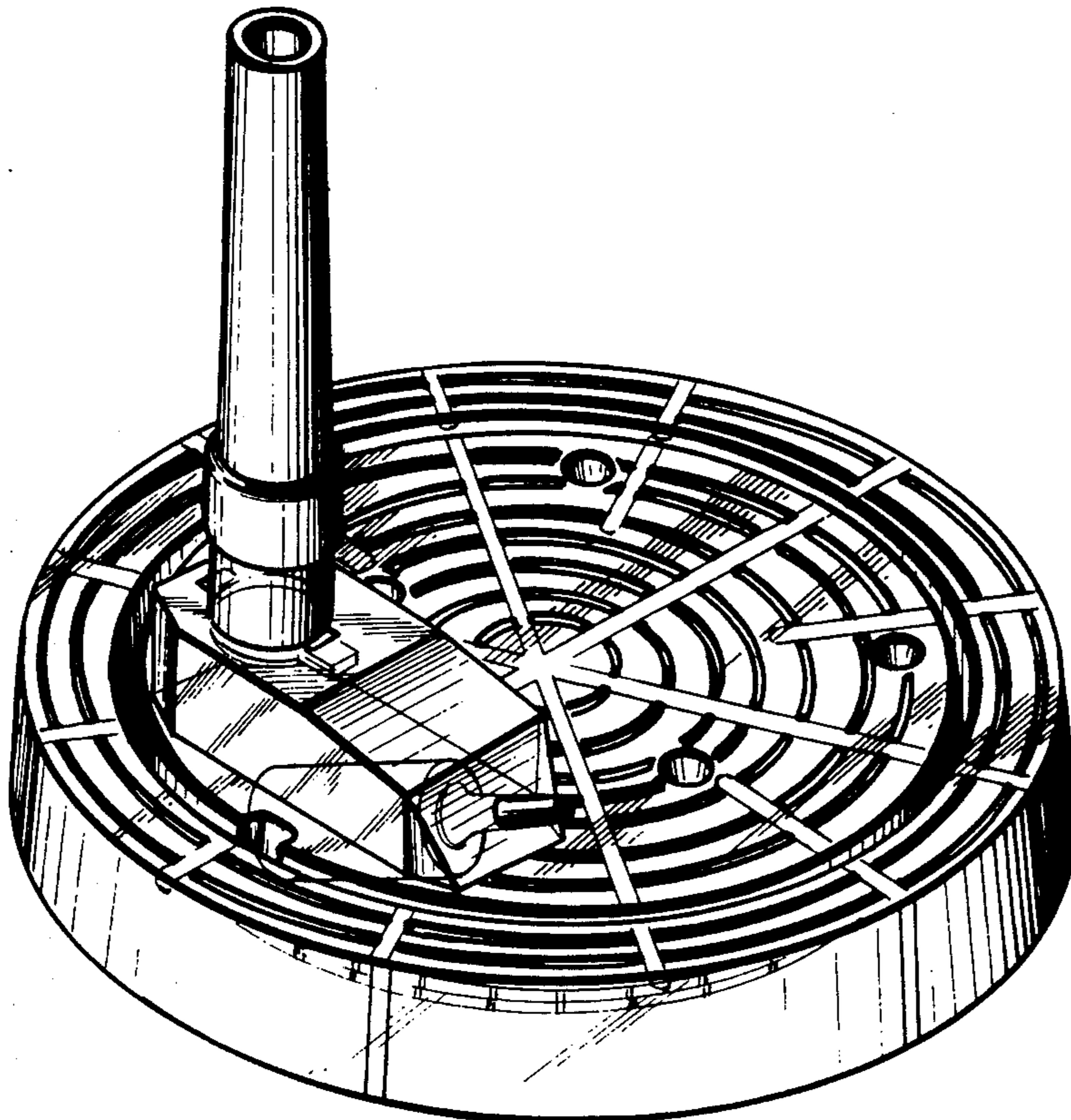
Primary Examiner—James R. Largen
Attorney, Agent, or Firm—Abraham Friedman

[57] CLAIM

The ornamental design for an aquarium filter, substantially as shown.

DESCRIPTION

FIG. 1 is a perspective view of an aquarium filter, showing my new design;
FIG. 2 is a top plan view;
FIG. 3 is a front elevational view;
FIG. 4 is a right side elevational view;
FIG. 5 is a rear elevational view; and
FIG. 6 is a bottom plan view.



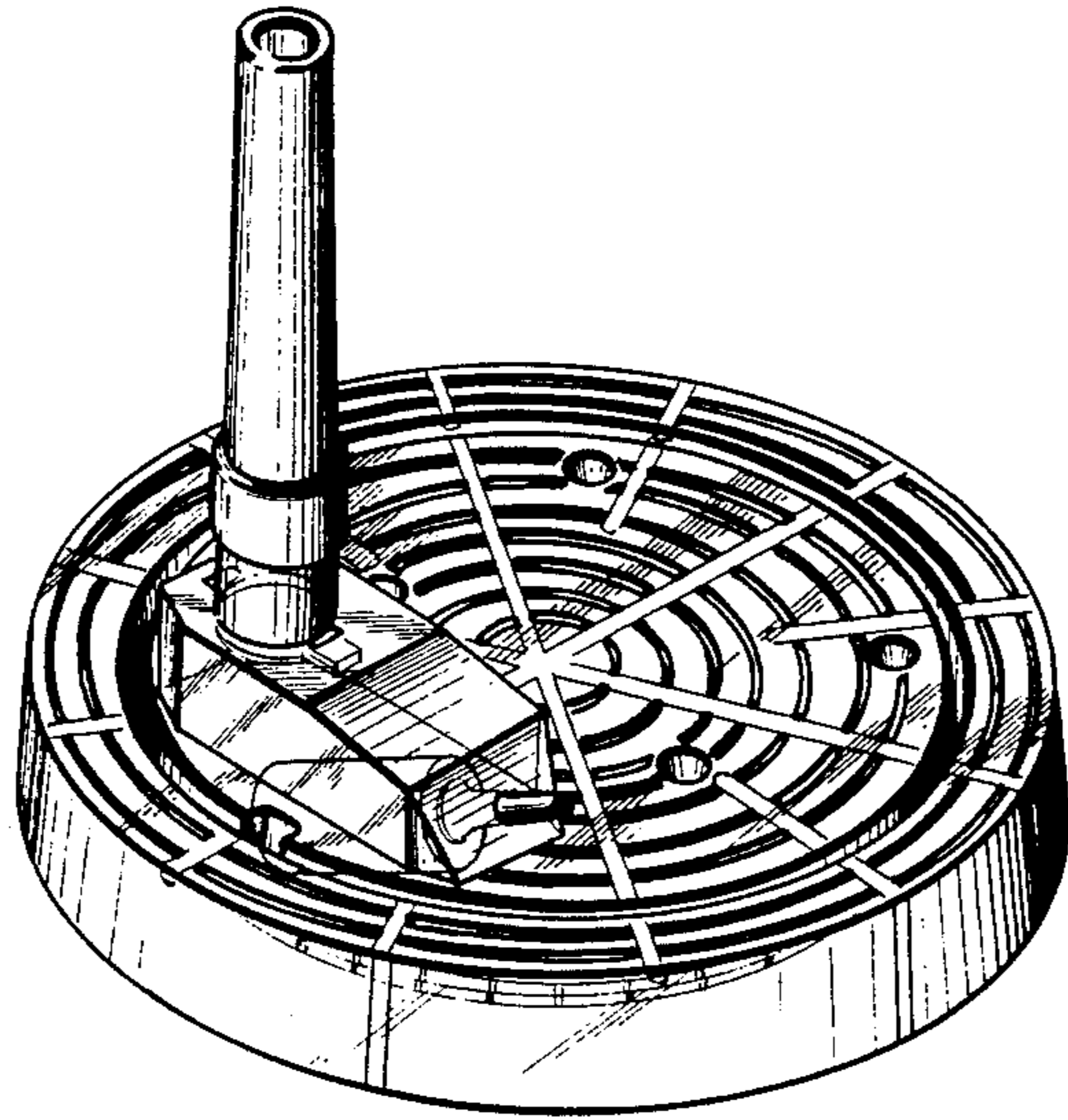


FIG. 1

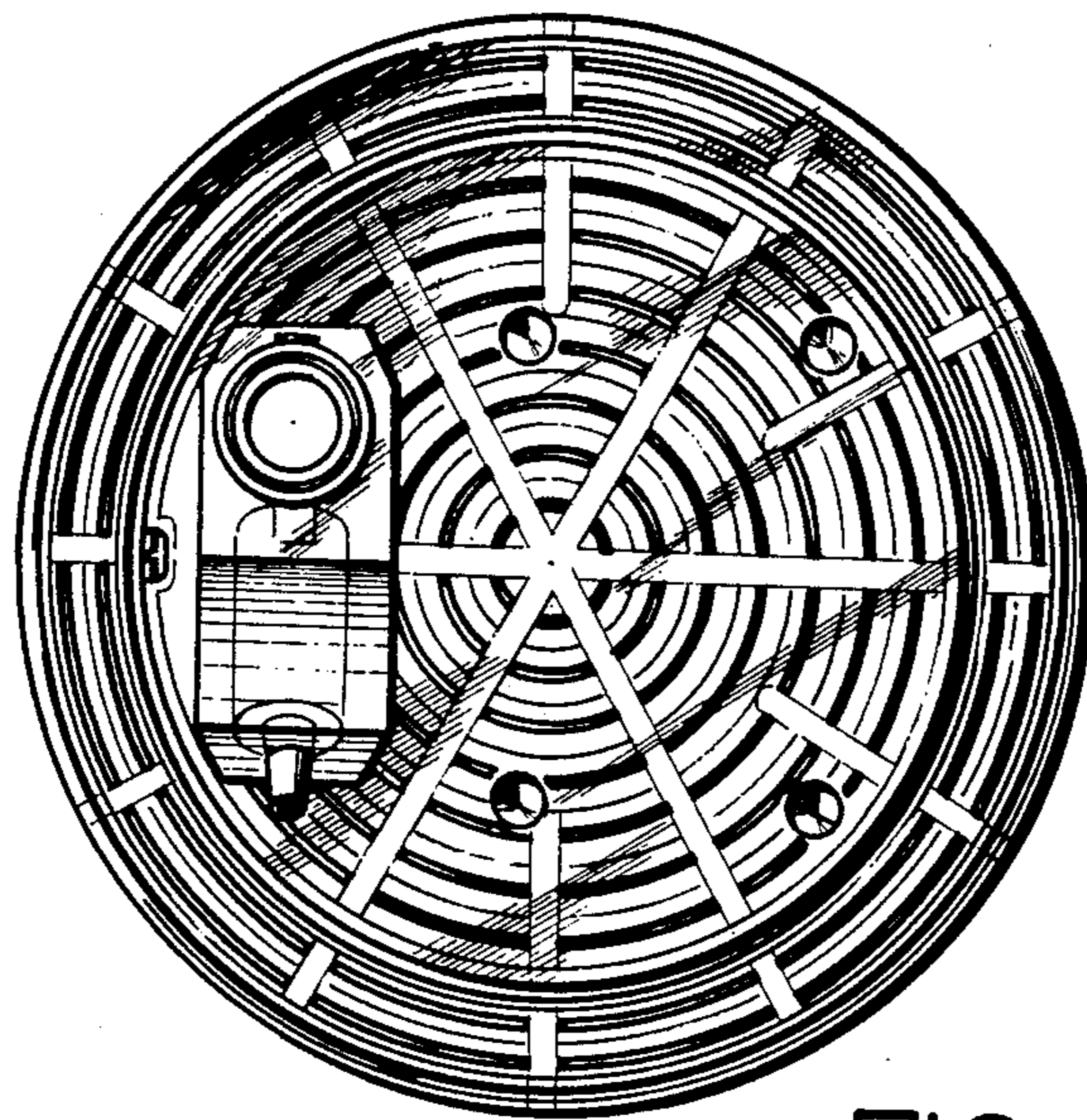


FIG. 2

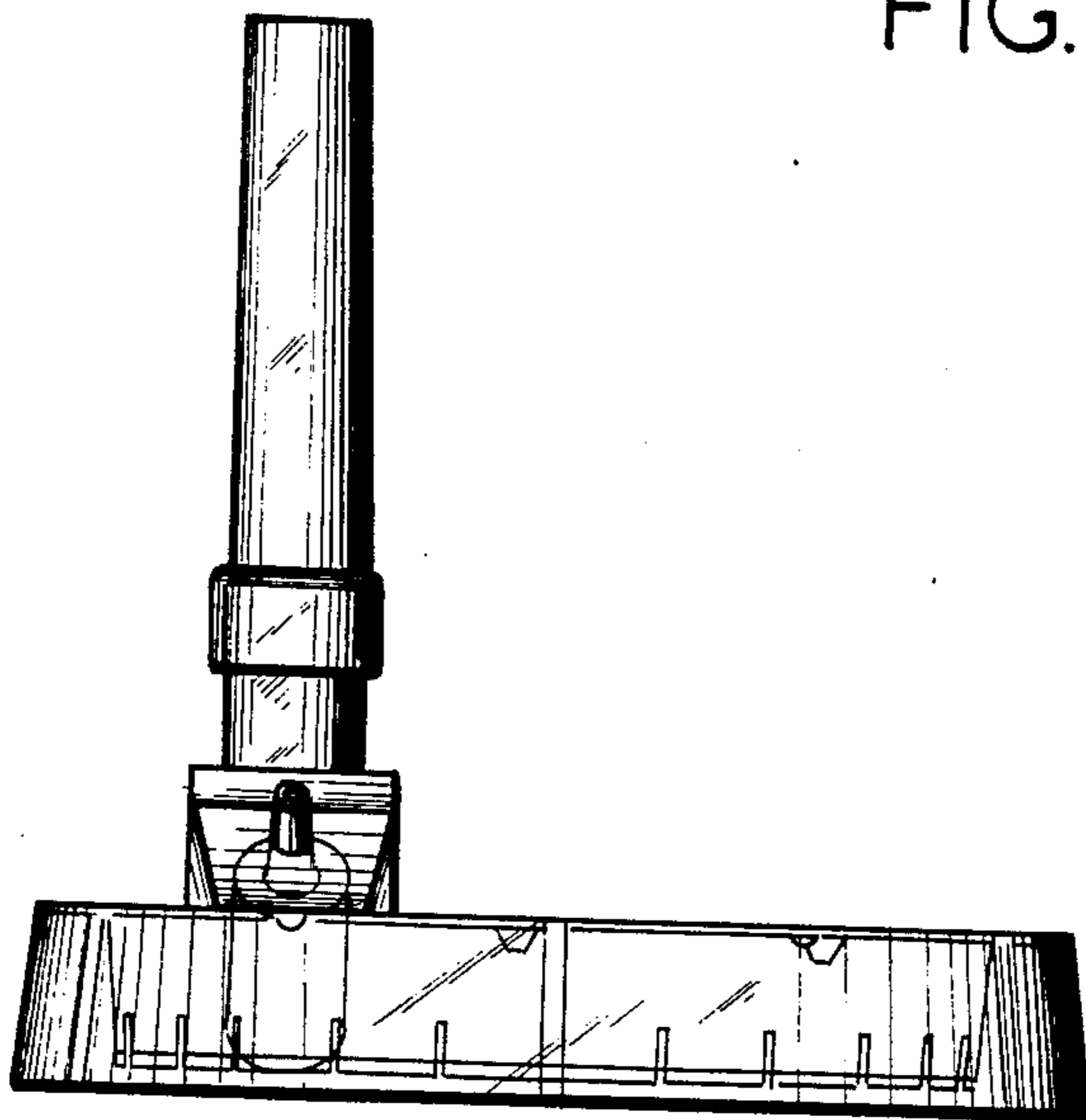


FIG. 3

FIG. 4

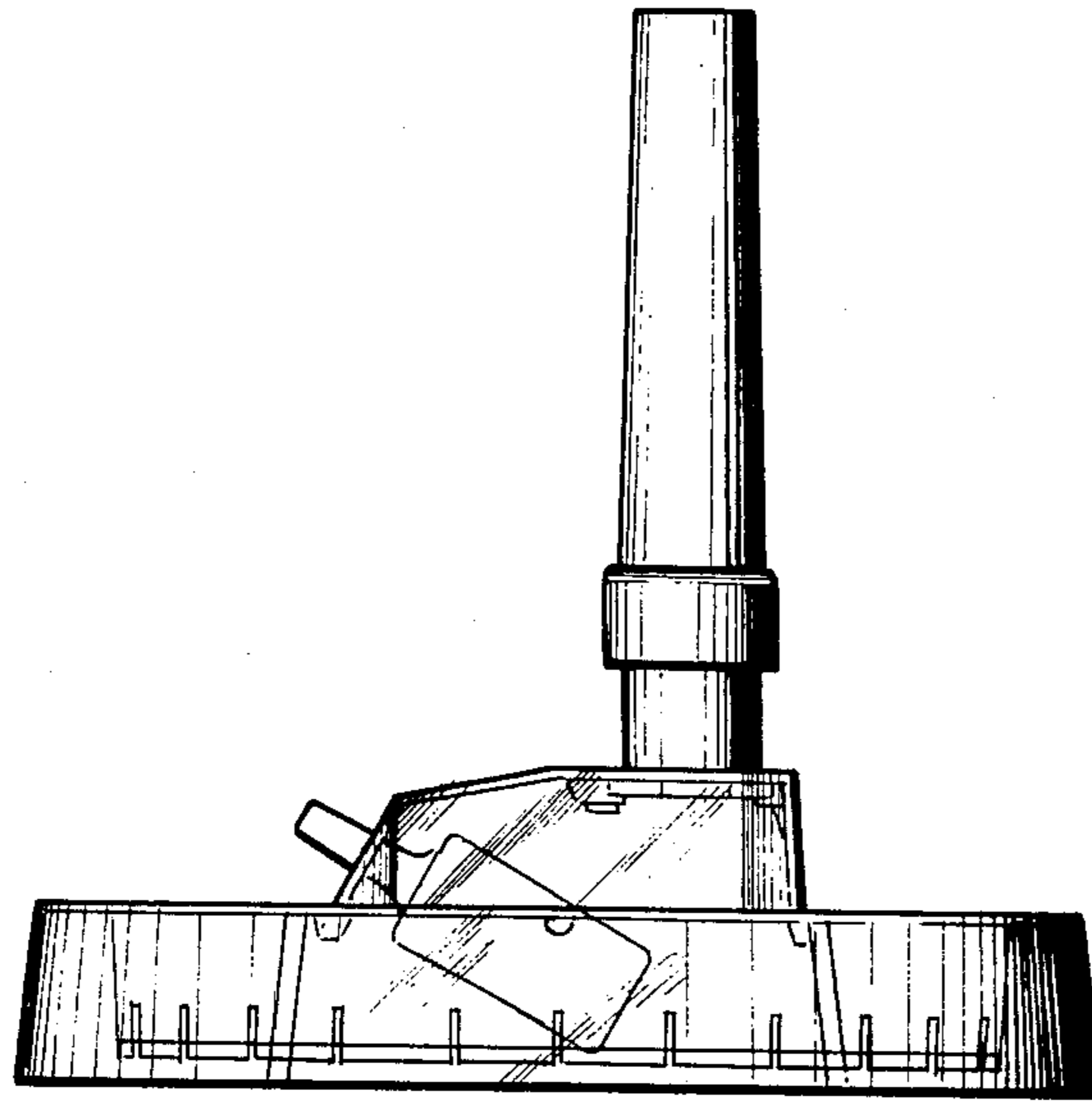


FIG. 5

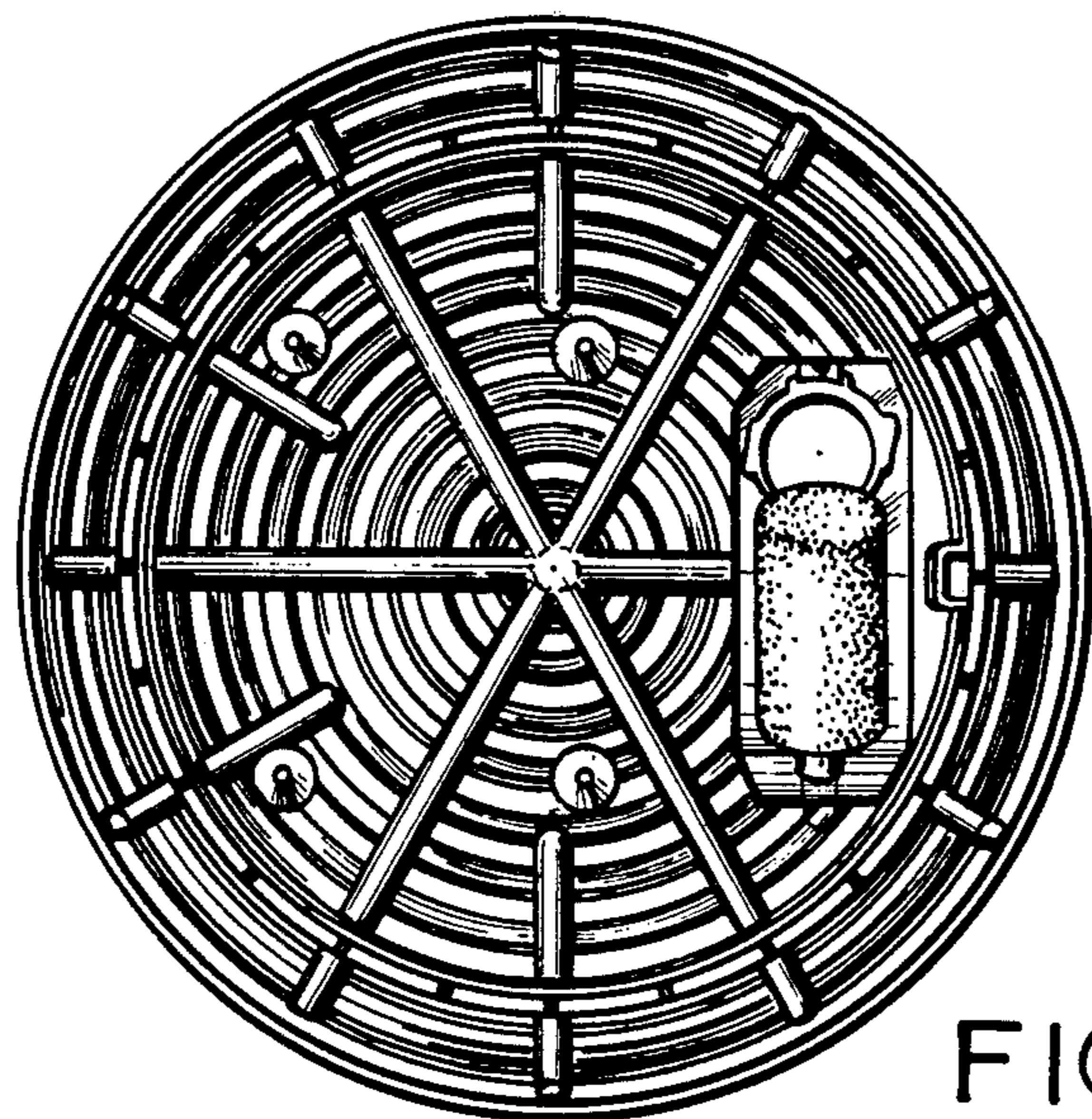
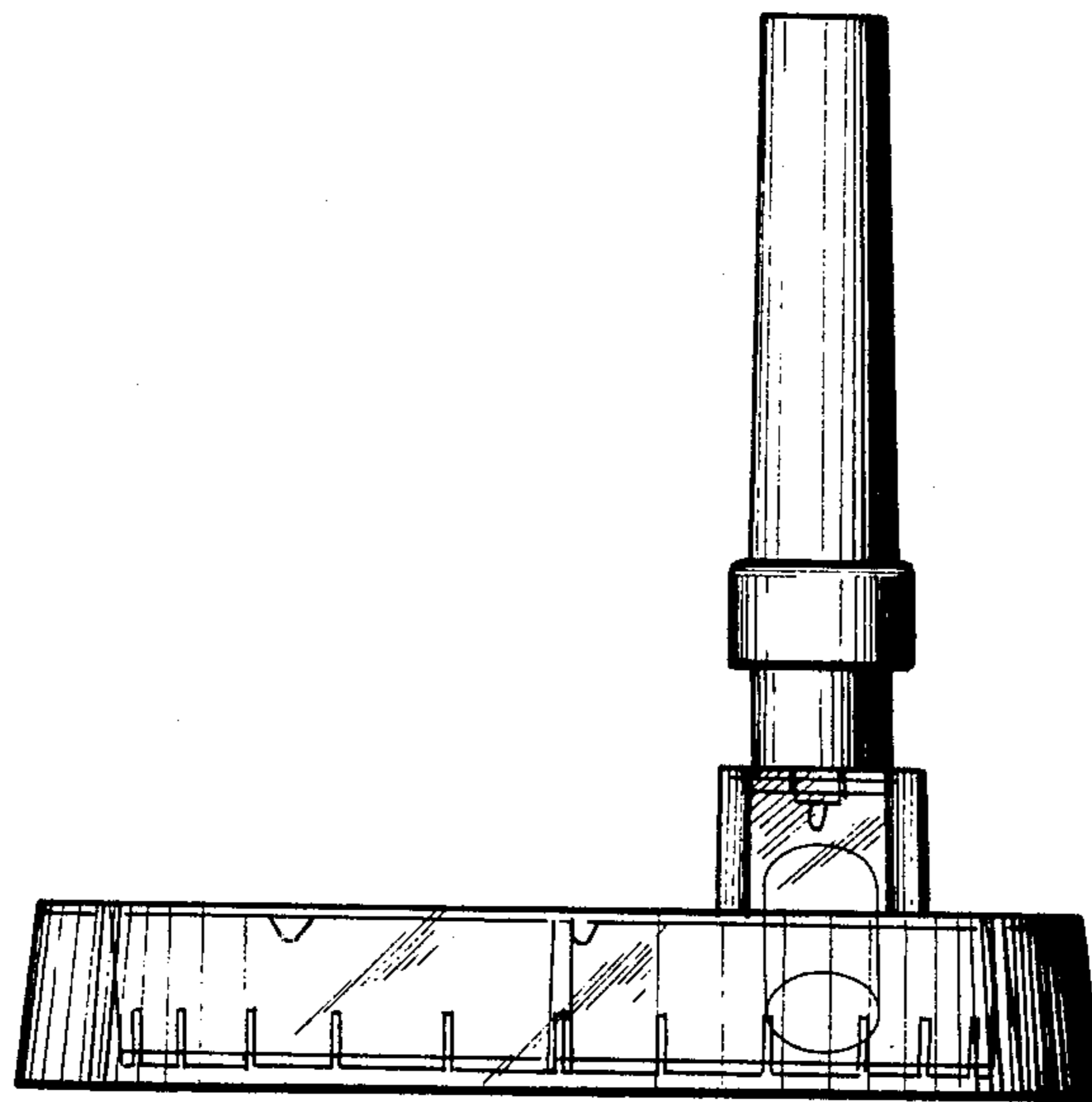


FIG. 6