

[54] PHOTOGRAPH DISPLAY

[75] Inventor: George Kizlauskas, Jamaica, N.Y.

[73] Assignee: Mele Manufacturing Co., Inc.

[\*\*] Term: 14 Years

[21] Appl. No.: 696,528

[22] Filed: Jun. 16, 1976

[51] Int. Cl. .... D19-02

[52] U.S. Cl. .... D19/76; D19/20;  
D19/26

[58] Field of Search ..... D19/26-28,  
D19/90-91, 76, 20; D11/131, 157; D6/234,  
235, 237; 40/106.1; 248/473, 474, 458, 466

[56] References Cited

U.S. PATENT DOCUMENTS

D. 218,369 8/1970 Schwartz ..... D19/76  
2,589,383 3/1952 Holt ..... 40/68.6

OTHER PUBLICATIONS

House & Garden, 11/68, p. 4, bottom left.  
House & Garden, 9/74, p. 159, center of page.

Primary Examiner—Joel Stearman  
Assistant Examiner—George P. Word  
Attorney, Agent, or Firm—David S. Kane

[57] CLAIM

The ornamental design for a photograph display, as shown.

DESCRIPTION

FIG. 1 is a perspective view of a photograph display showing my new design;  
FIG. 2 is a top plan view;  
FIG. 3 is a left side elevational view;  
FIG. 4 is a rear perspective view.

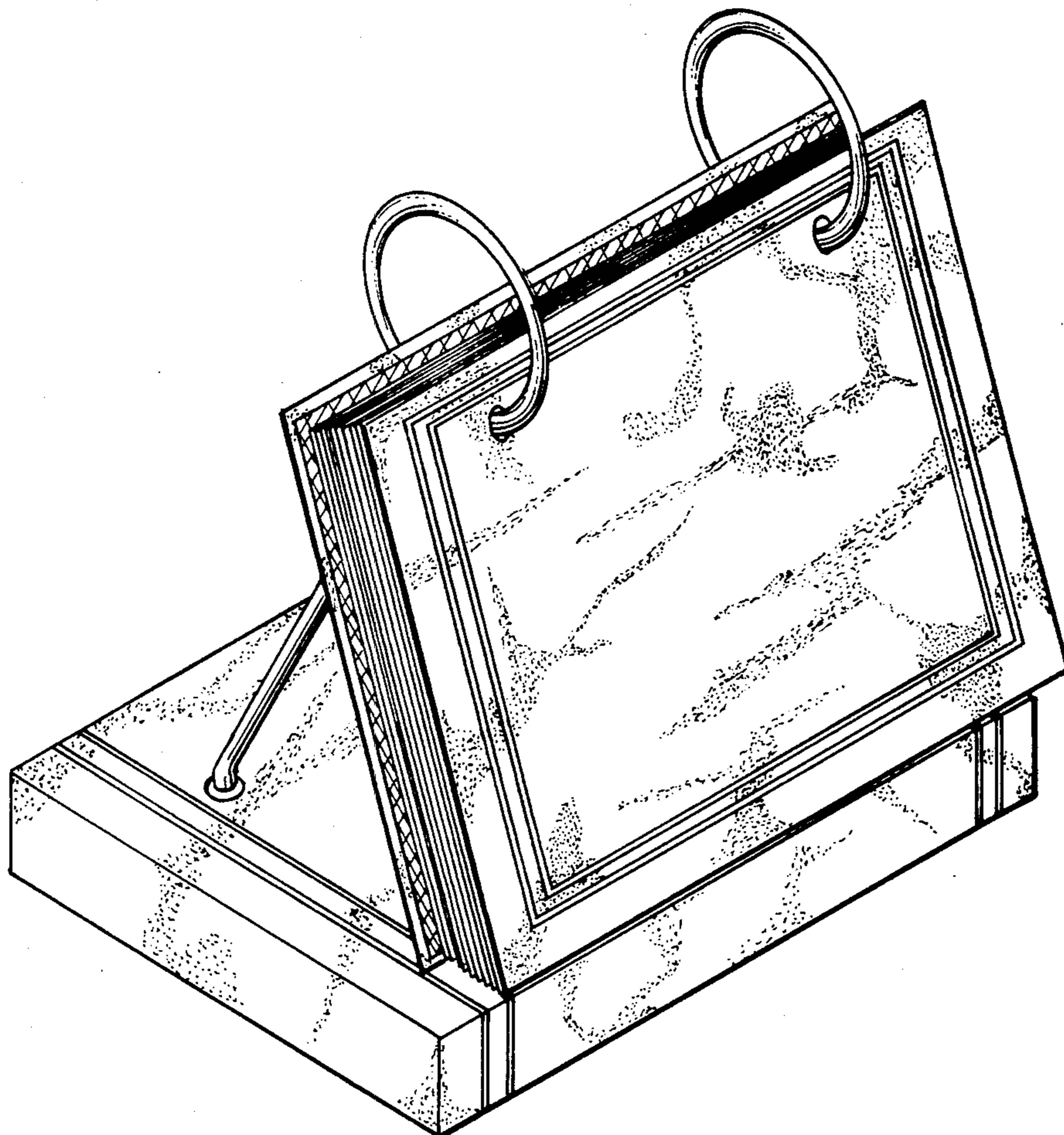


FIG. 1

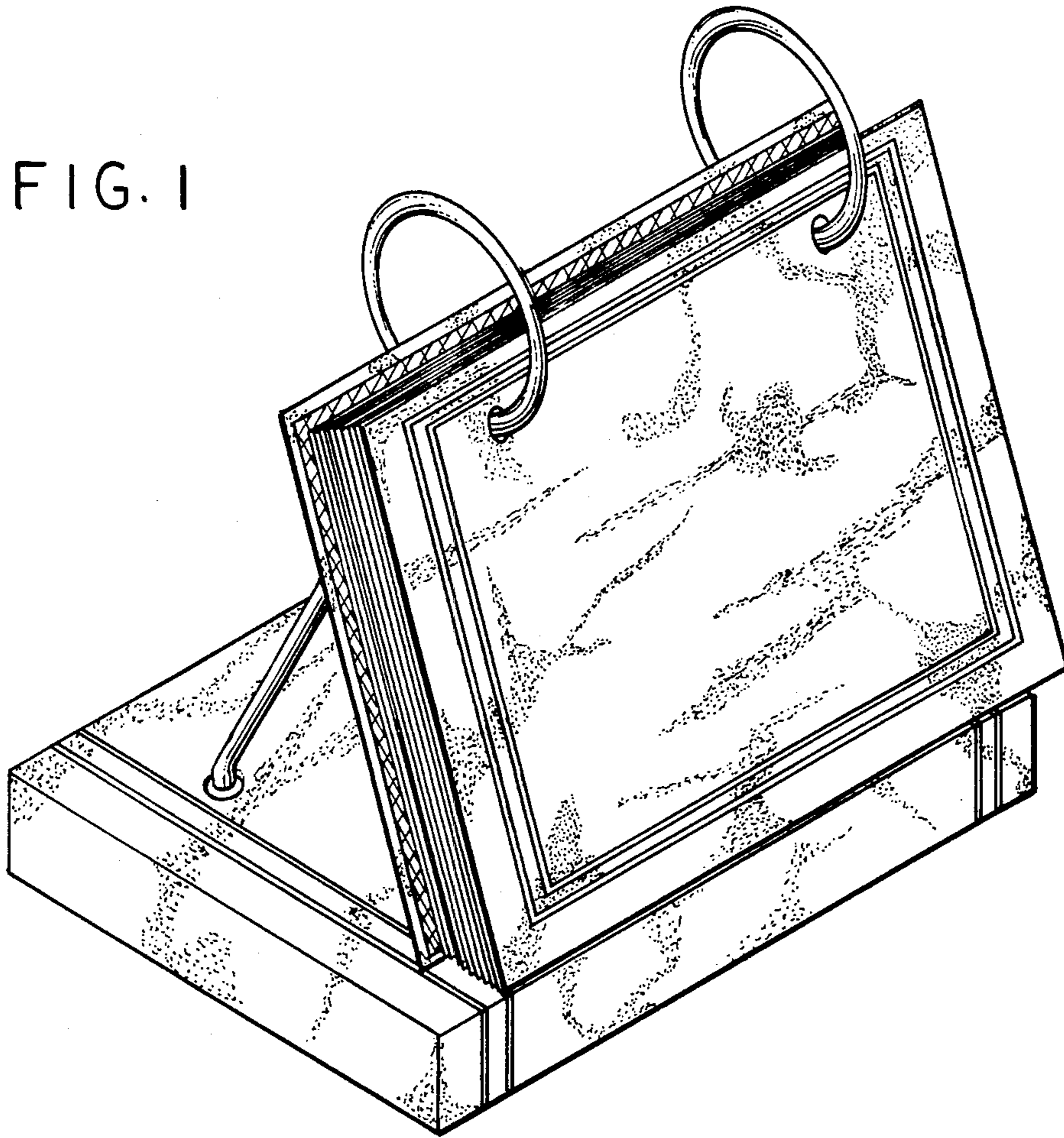


FIG. 2

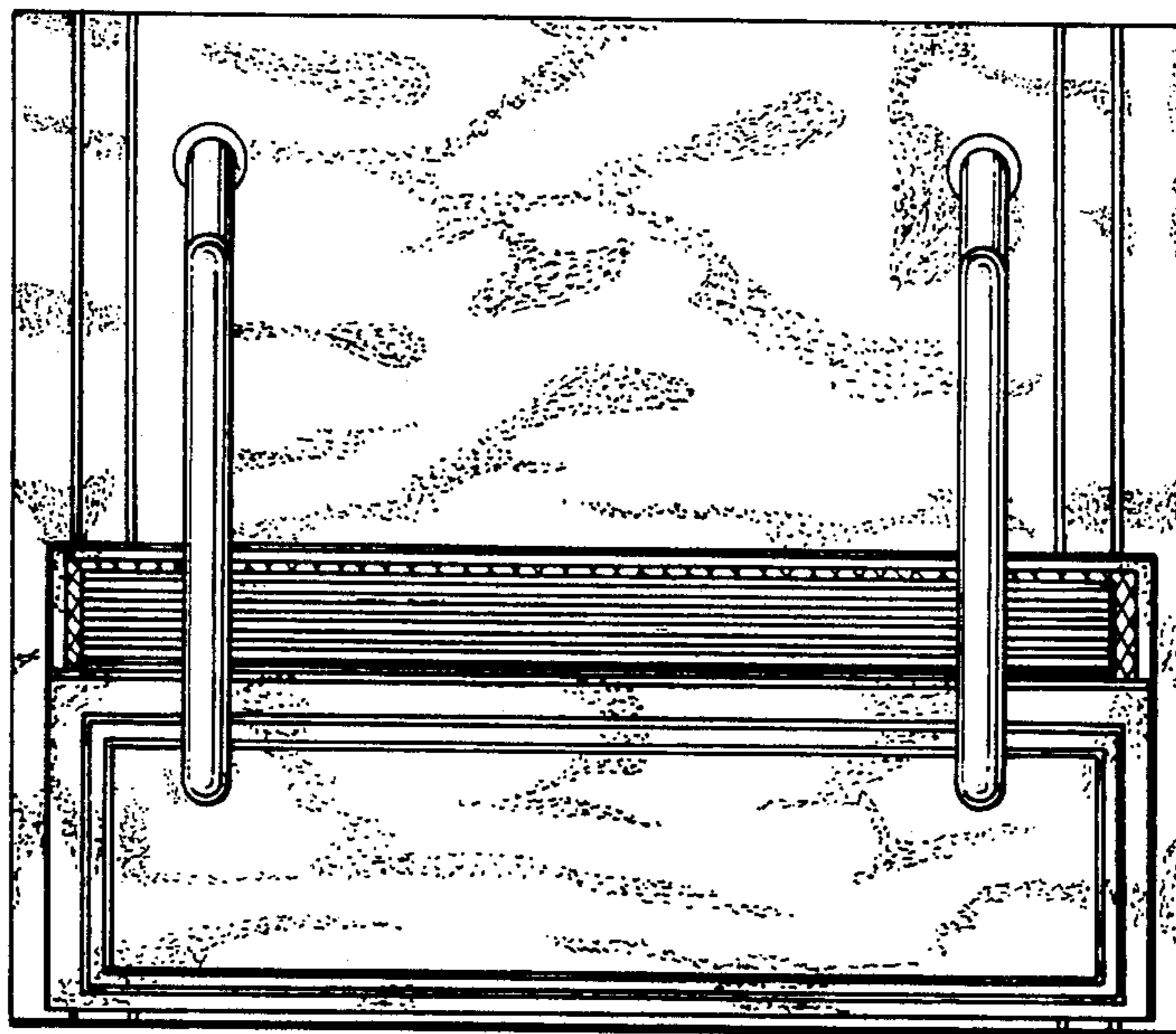




FIG. 3

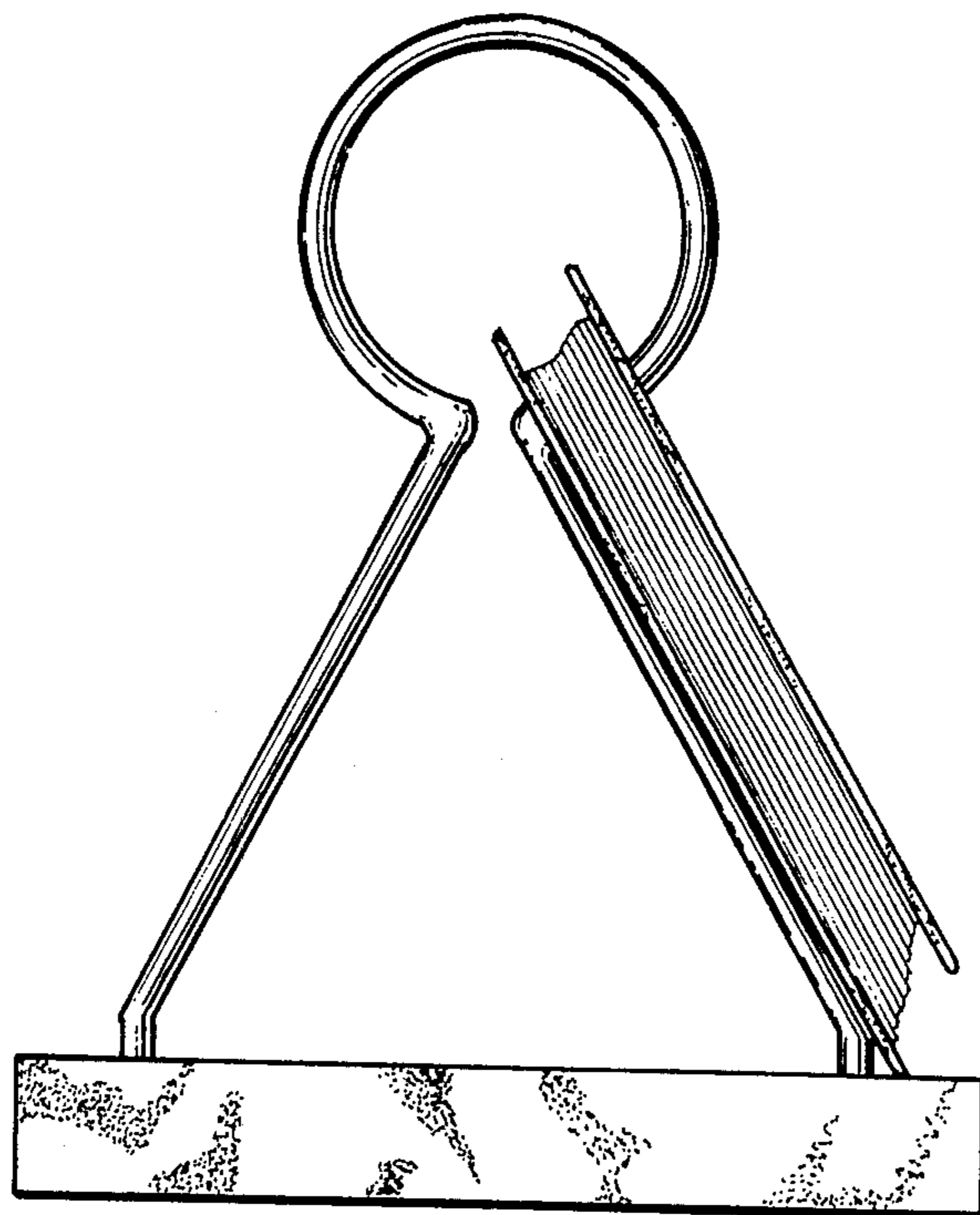


FIG. 4

