

[54] CARD FILE

[75] Inventor: William Macowski, Caldwell, N.J.

[73] Assignee: Ketcham & McDougall, Inc.,
Roseland, N.J.

[**] Term: 14 Years

[21] Appl. No.: 677,814

[22] Filed: Apr. 16, 1976

[51] Int. Cl. D19-02

[52] U.S. Cl. D19/76

[58] Field of Search D19/75-79,
D19/20-21, 92, 90-91; D6/140; D87/1 B;
40/68.4, 68.6

[56]

References Cited

U.S. PATENT DOCUMENTS

D. 156,819	1/1950	Curran	D6/140
D. 158,785	5/1950	Peterson	D19/92
D. 204,217	3/1966	Sims	D19/90

Primary Examiner—Joel Stearman
Assistant Examiner—George P. Word
Attorney, Agent, or Firm—Harvey W. Mortimer

[57]

CLAIM

The ornamental design for a card file, as shown and described.

DESCRIPTION

FIG. 1 is a perspective view of a card file showing my new design;
FIG. 2 is a top plan view;
FIG. 3 is a right side elevational view, the opposite side being a mirror image thereof;
FIG. 4 is a front elevational view;
FIG. 5 is a rear elevational view; and
FIG. 6 is a bottom plan view.

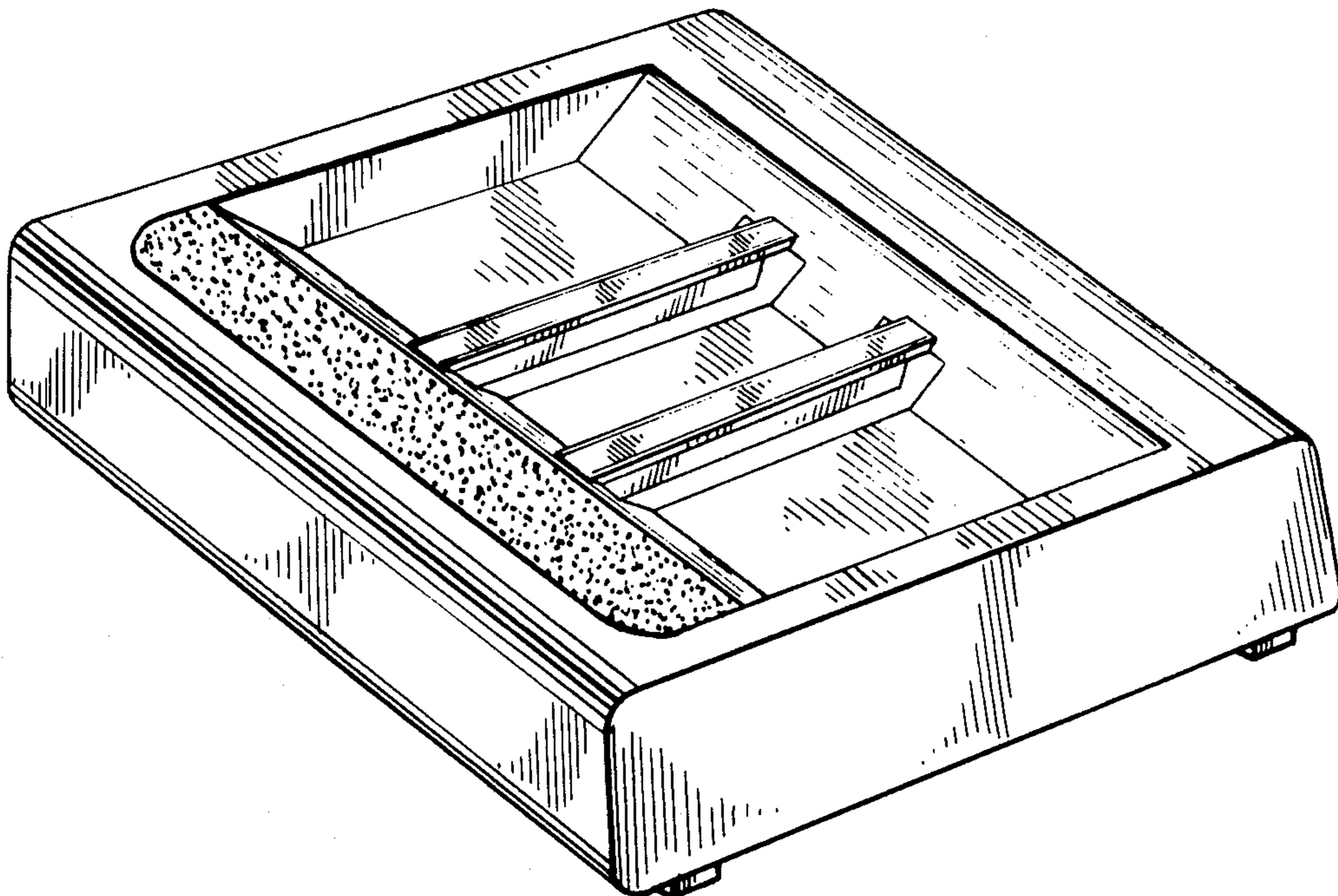


FIG. 1

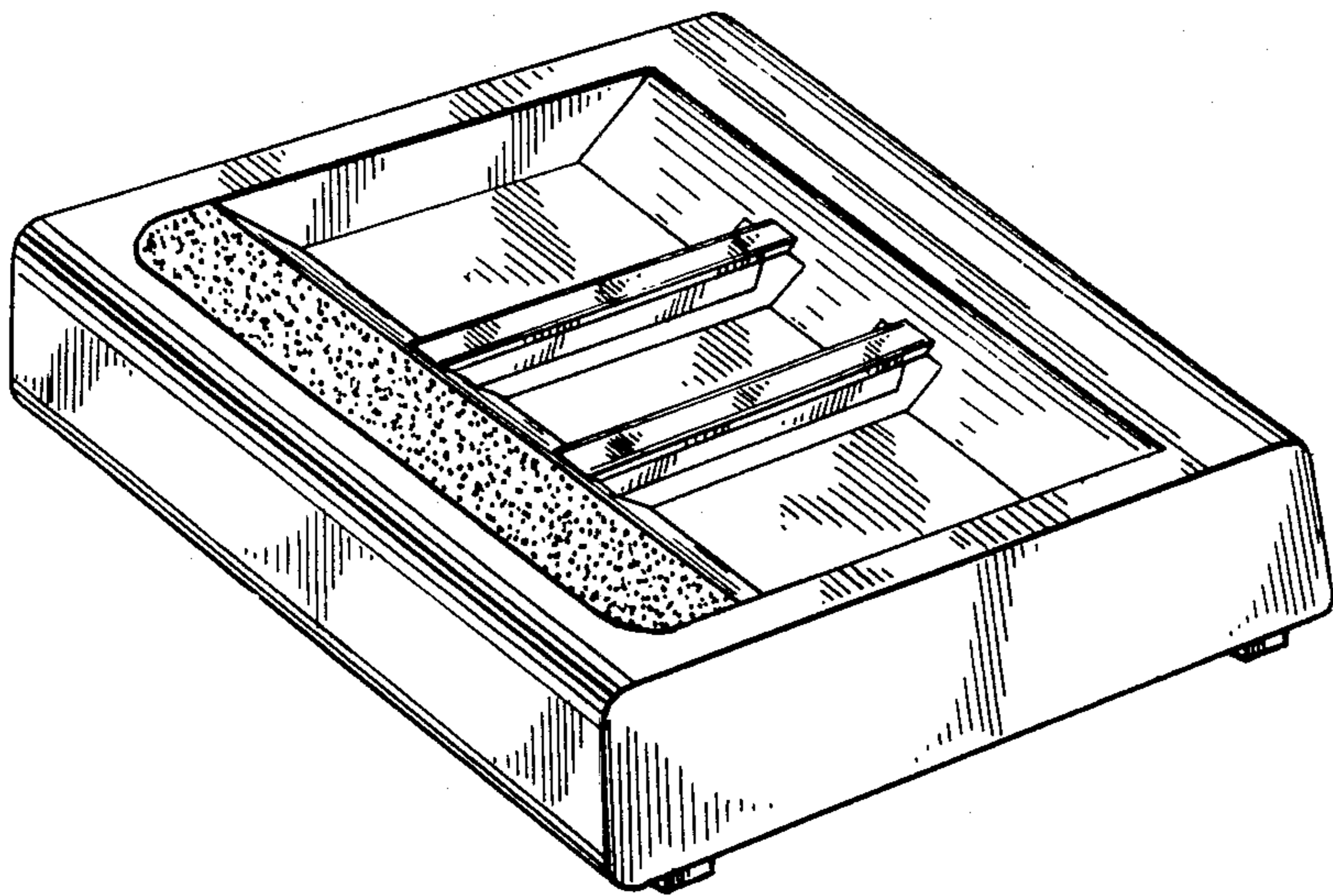


FIG. 2

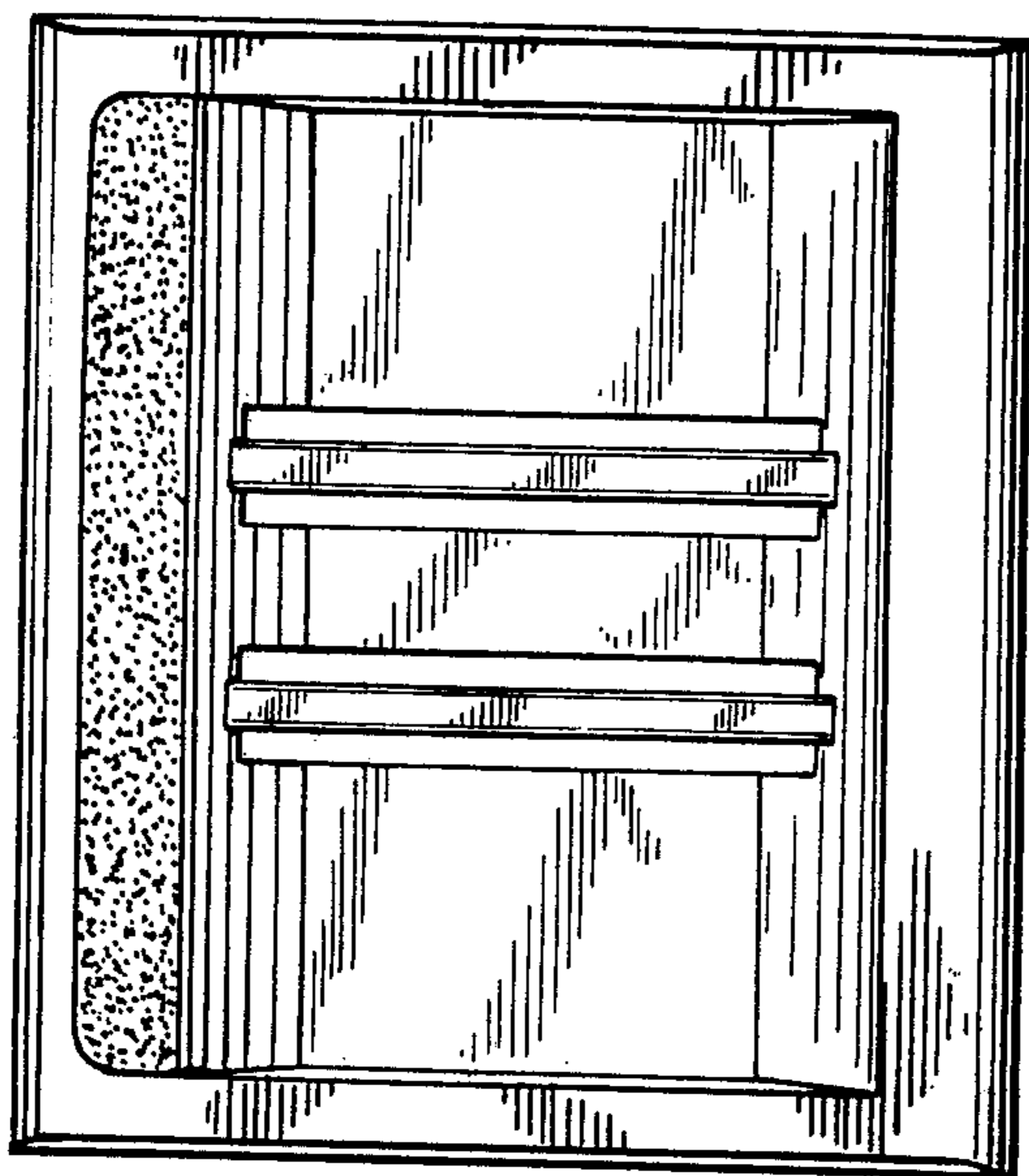


FIG. 3



FIG. 4

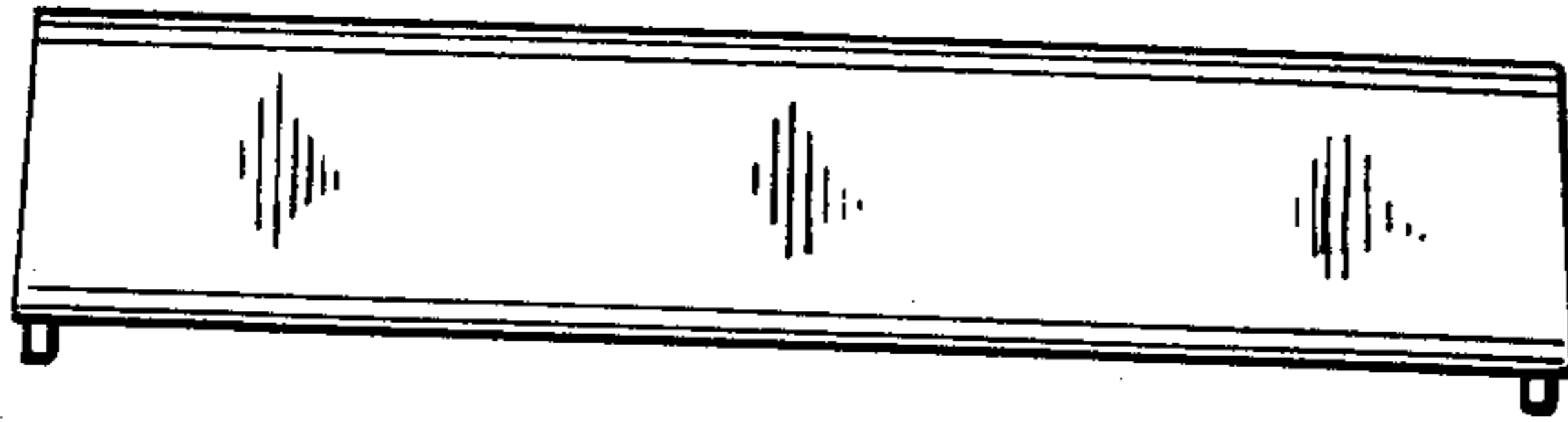


FIG. 5

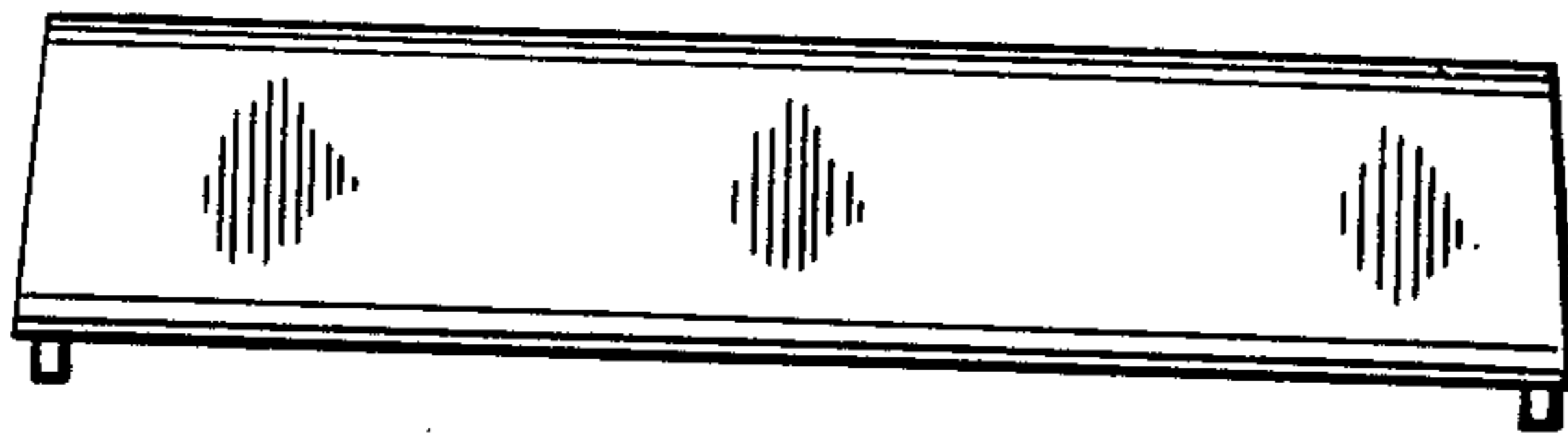


FIG. 6

