

# United States Patent [19]

Glaubinger et al.

[11] **Des. 248,962**

[45] **\*\* Aug. 15, 1978**

[54] **FILE CARD HOLDER**

[75] Inventors: **Martin Glaubinger, Teaneck; William L. Effinger, Roseland, both of N.J.**

[73] Assignee: **Rolodex Corporation**

[\*\*] Term: **14 Years**

[21] Appl. No.: **611,878**

[22] Filed: **Sep. 10, 1975**

[51] Int. Cl. .... **D19-02**

[52] U.S. Cl. .... **D19/76**

[58] Field of Search ..... **D19/75, 76, 84, 65, D19/95, 92, 20; 40/68.6; 206/425; D6/140**

[56] **References Cited**

**U.S. PATENT DOCUMENTS**

D. 200,370 2/1965 Sherman ..... D19/20  
D. 204,217 3/1966 Sims ..... D19/76

D. 227,811 7/1973 McFarland ..... D19/76  
D. 232,334 8/1974 Neilsen ..... D6/140  
D. 235,257 6/1975 Perry ..... D19/76

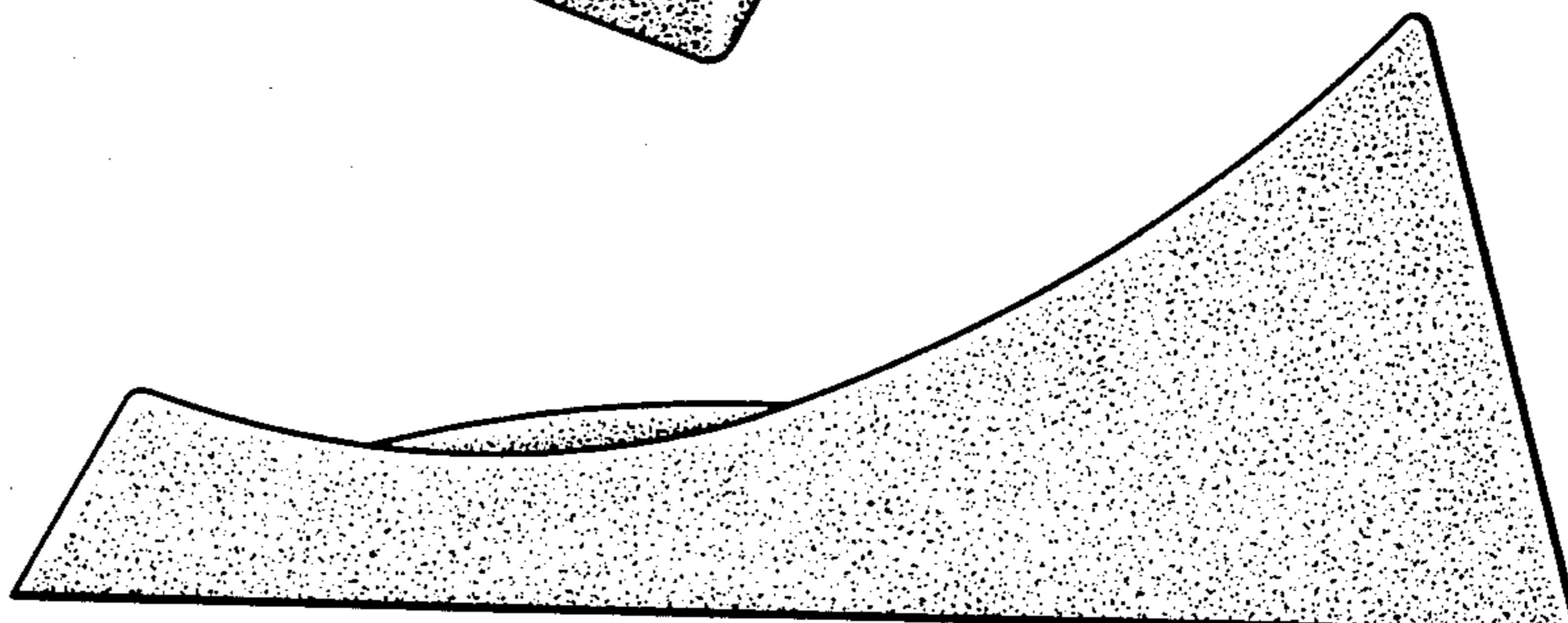
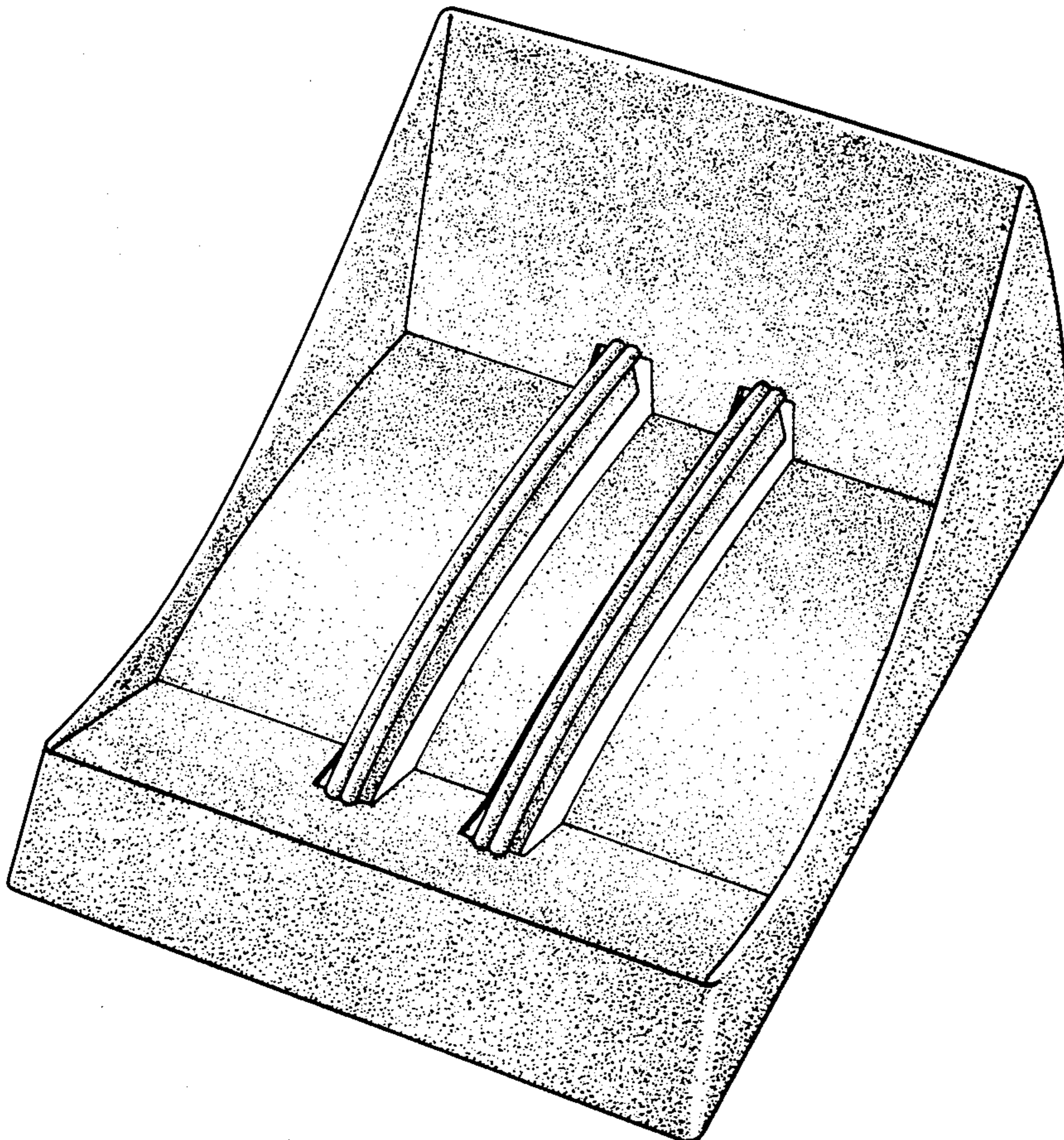
*Primary Examiner—Joel Stearman*  
*Assistant Examiner—George P. Word*  
*Attorney, Agent, or Firm—Robert E. Burns*

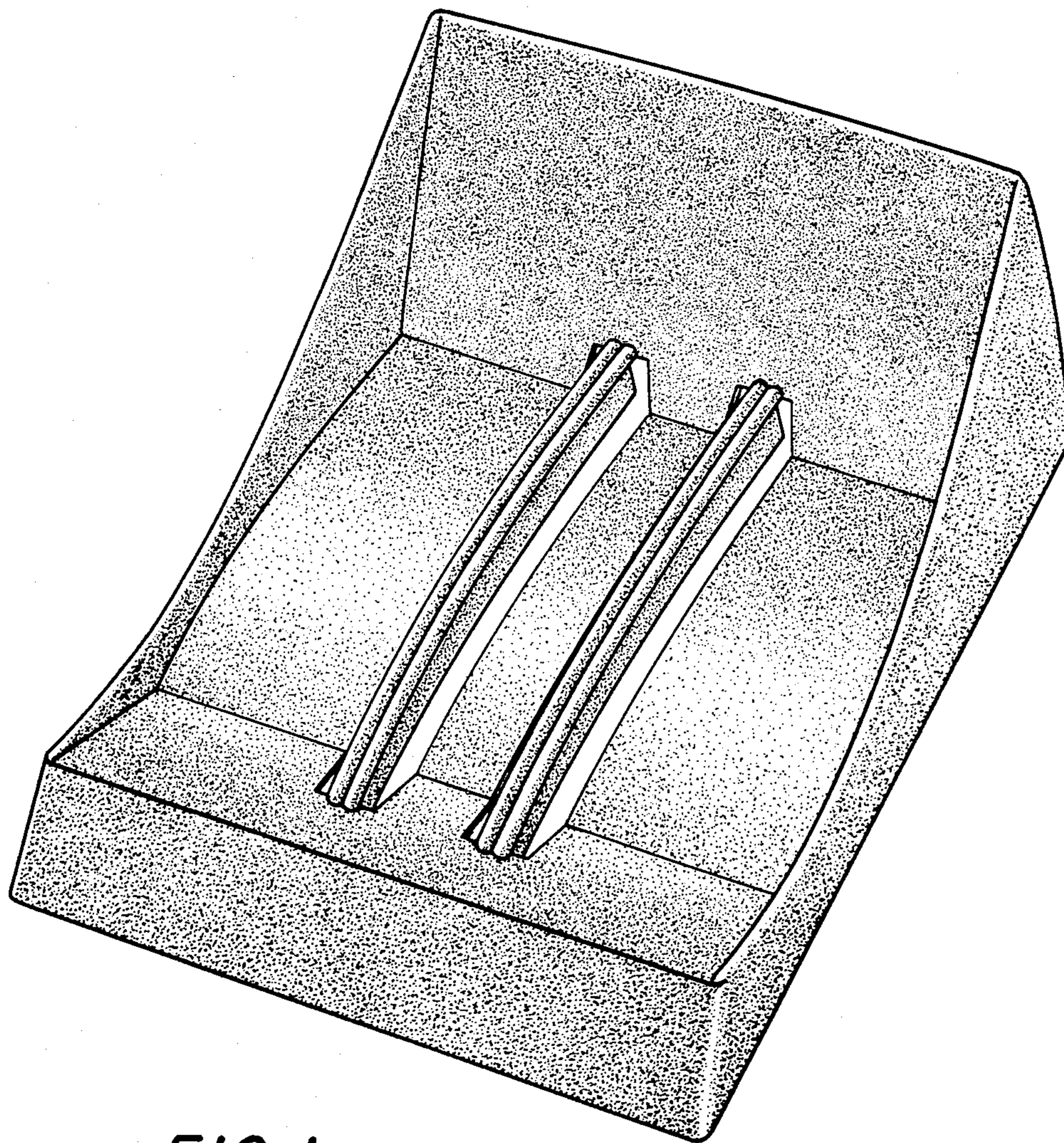
[57] **CLAIM**

The ornamental design for a file card holder, substantially as shown and described.

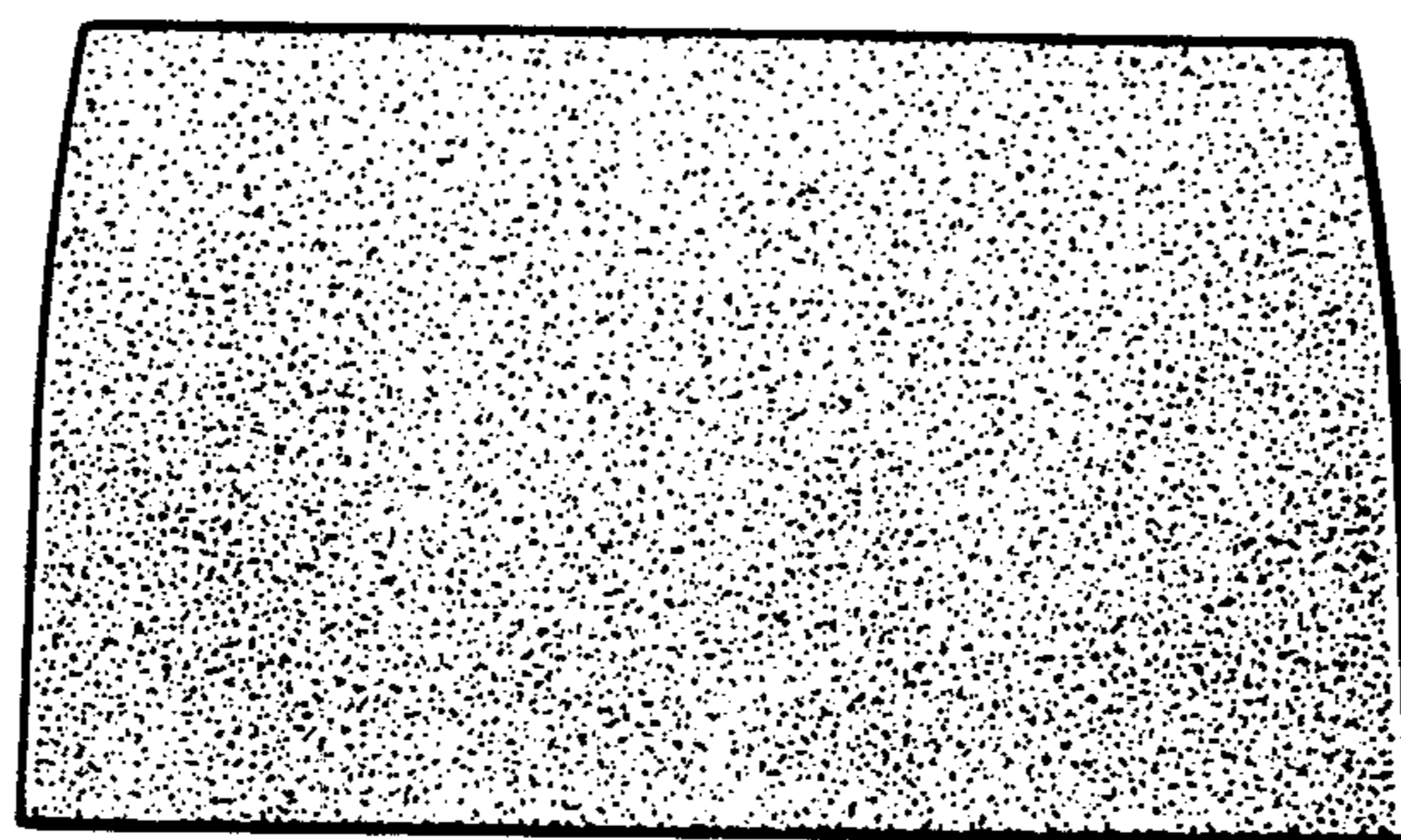
**DESCRIPTION**

FIG. 1 is a perspective view of a file card holder showing our new design;  
FIG. 2 is a top plan view;  
FIG. 3 is a right side elevational view;  
FIG. 4 is a bottom plan view; and  
FIG. 5 is a rear elevational view.  
The left side of the file card holder is a mirror image of the right side.





*FIG. 1*



*FIG. 5*

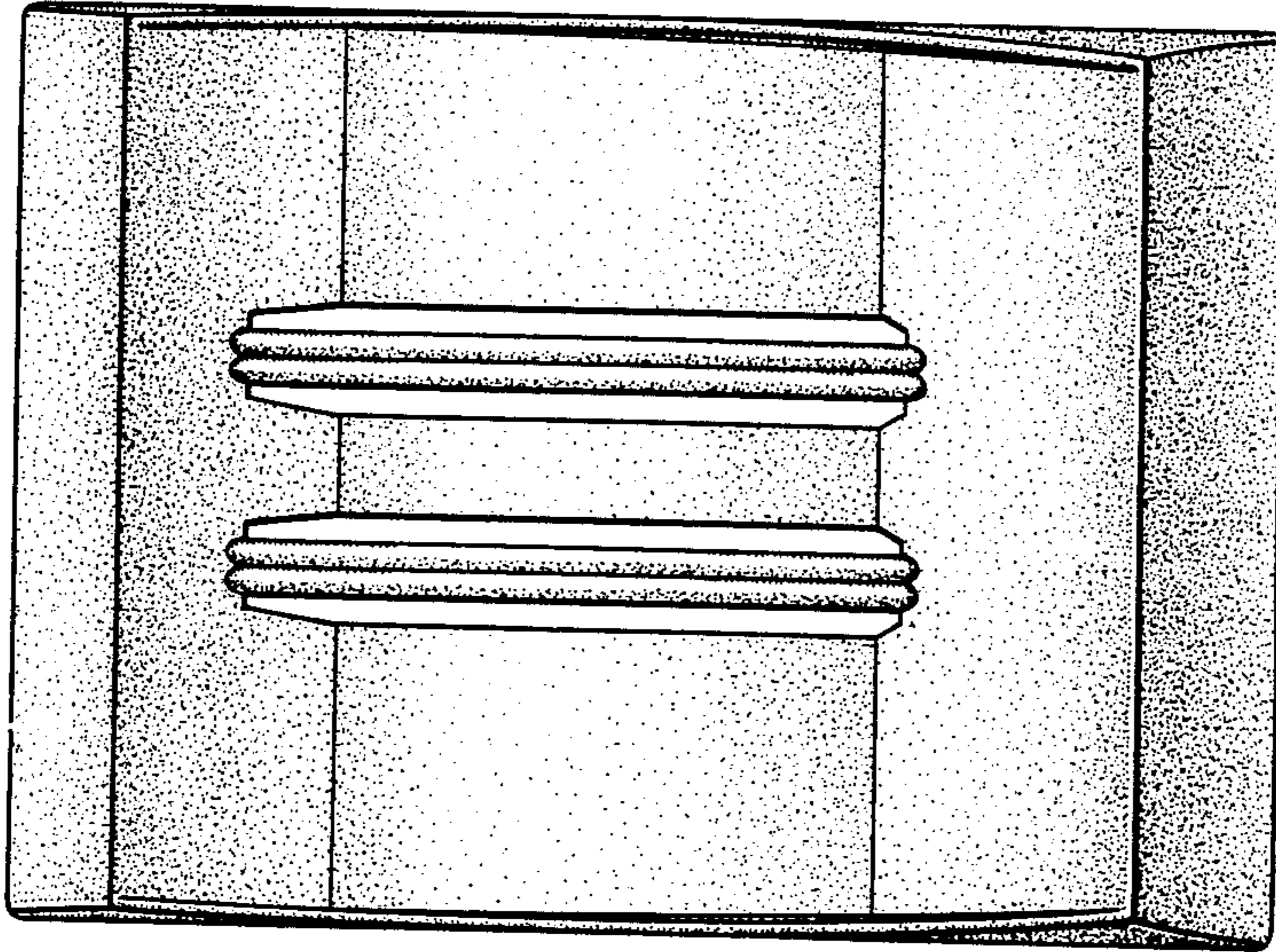


FIG. 2

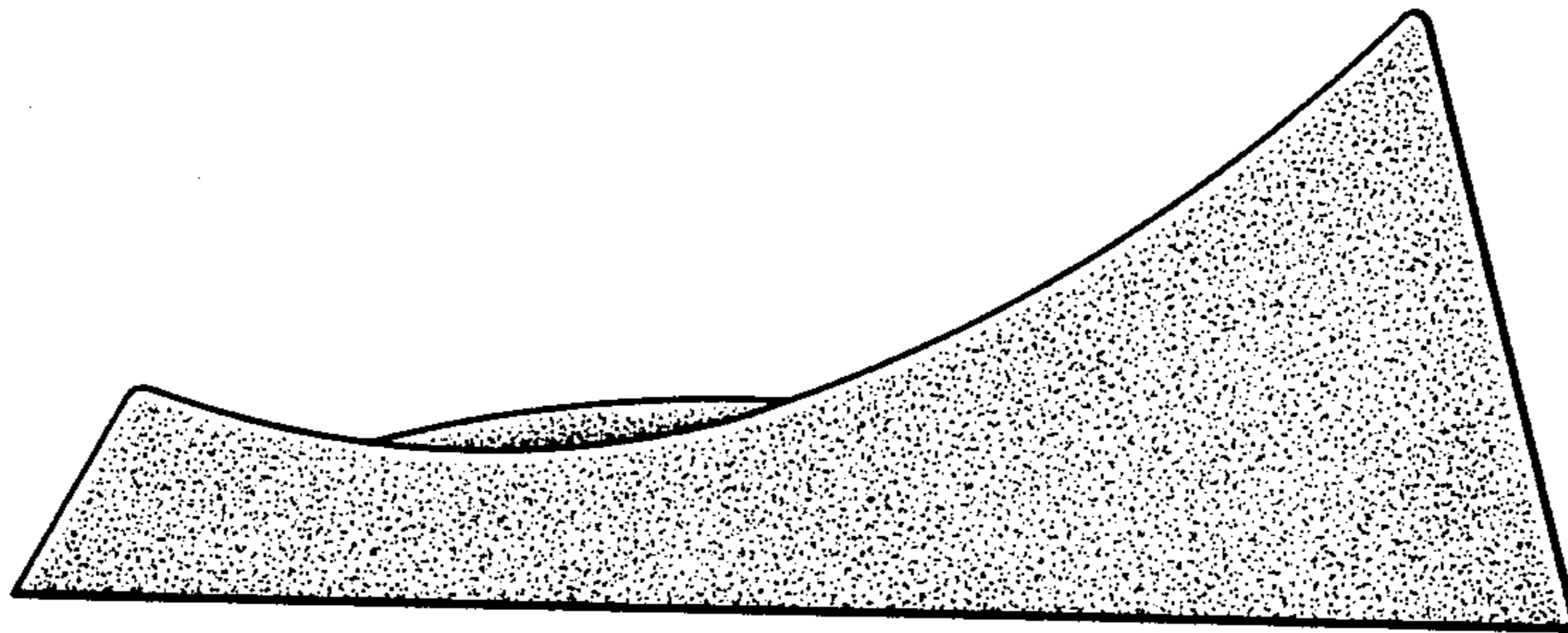


FIG. 3

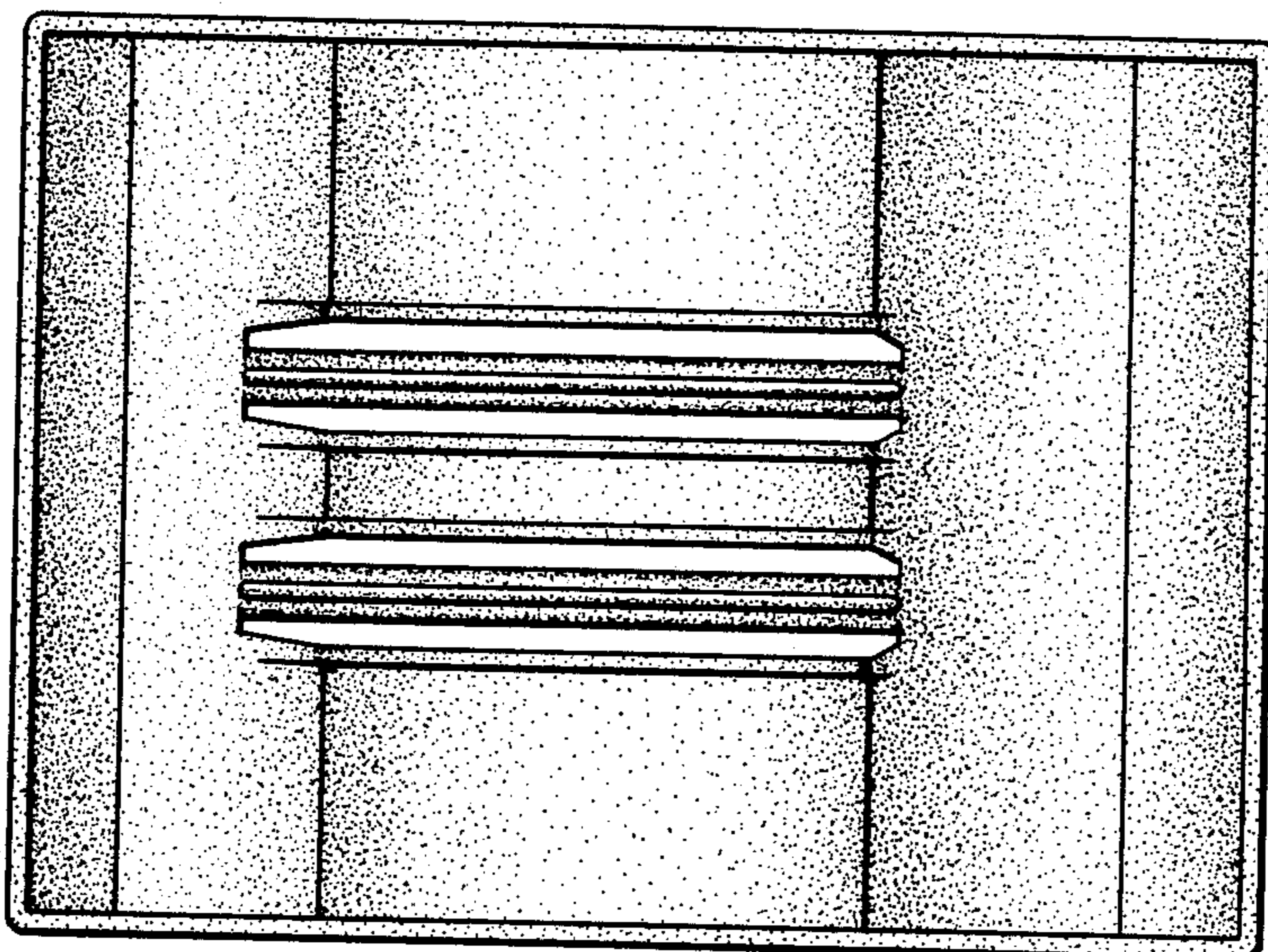


FIG. 4