

[54] PRESSURE SENSITIVE ADHESIVE TAPE DISPENSER

[75] Inventor: Robert J. De brey, Edina, Minn.

[73] Assignee: Minnesota Mining and Manufacturing Company

[**] Term: 14 Years

[21] Appl. No.: 715,972

[22] Filed: Aug. 19, 1976

[51] Int. Cl. D19-02

[52] U.S. Cl. D19/69

[58] Field of Search D19/67-69, D19/85, 65, 75, 73; 83/649; 225/6, 46, 47, 53, 56, 77, 90

[56] References Cited

U.S. PATENT DOCUMENTS

D. 181,463	11/1957	de Launay	D19/85
D. 226,333	2/1973	Reinecke et al.	D19/69
D. 240,223	6/1976	MacGregor	D19/73

Primary Examiner—Joel Stearman
Assistant Examiner—George P. Word
Attorney, Agent, or Firm—Cruzan Alexander

[57] CLAIM

The ornamental design for a pressure sensitive adhesive tape dispenser, substantially as shown and described.

DESCRIPTION

FIG. 1 is a perspective view of a pressure sensitive adhesive tape dispenser showing my new design; FIG. 2 is a top plan view thereof; FIG. 3 is a right side elevational view, the left side being a mirror image thereof; FIG. 4 is a front elevational view thereof; FIG. 5 is a rear elevational view thereof; and FIG. 6 is a bottom plan view thereof.

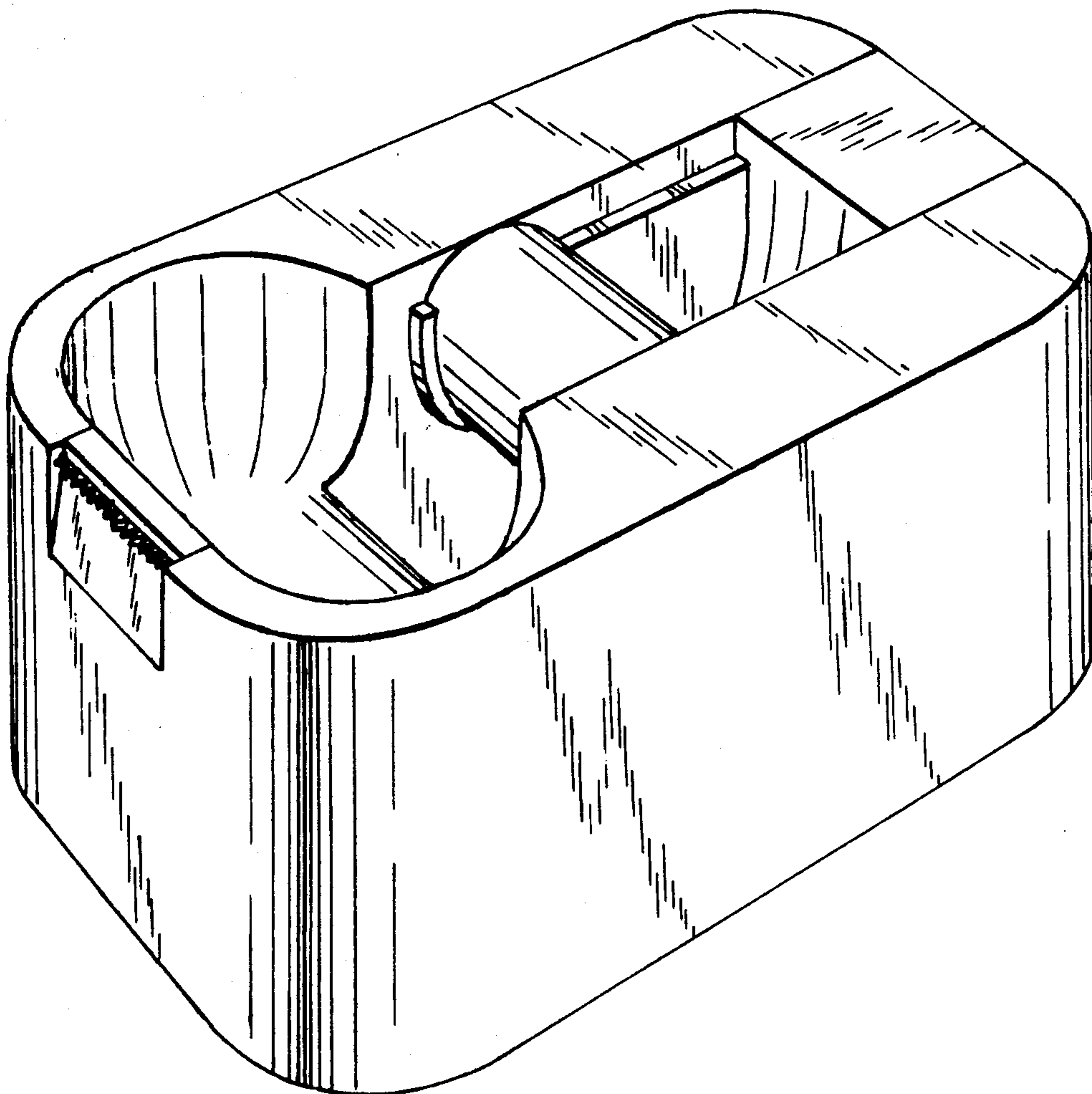


FIG. 1

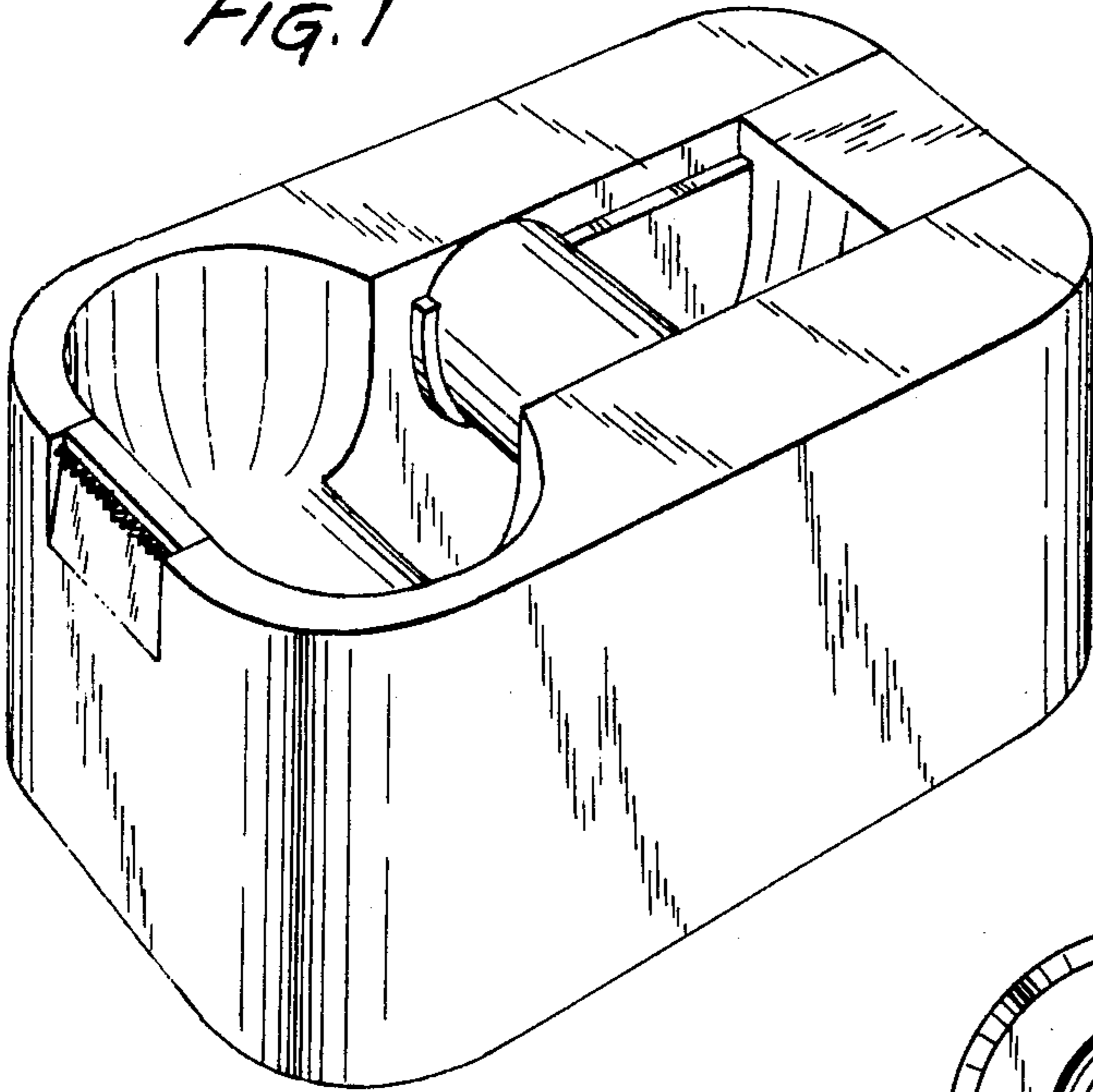


FIG. 2

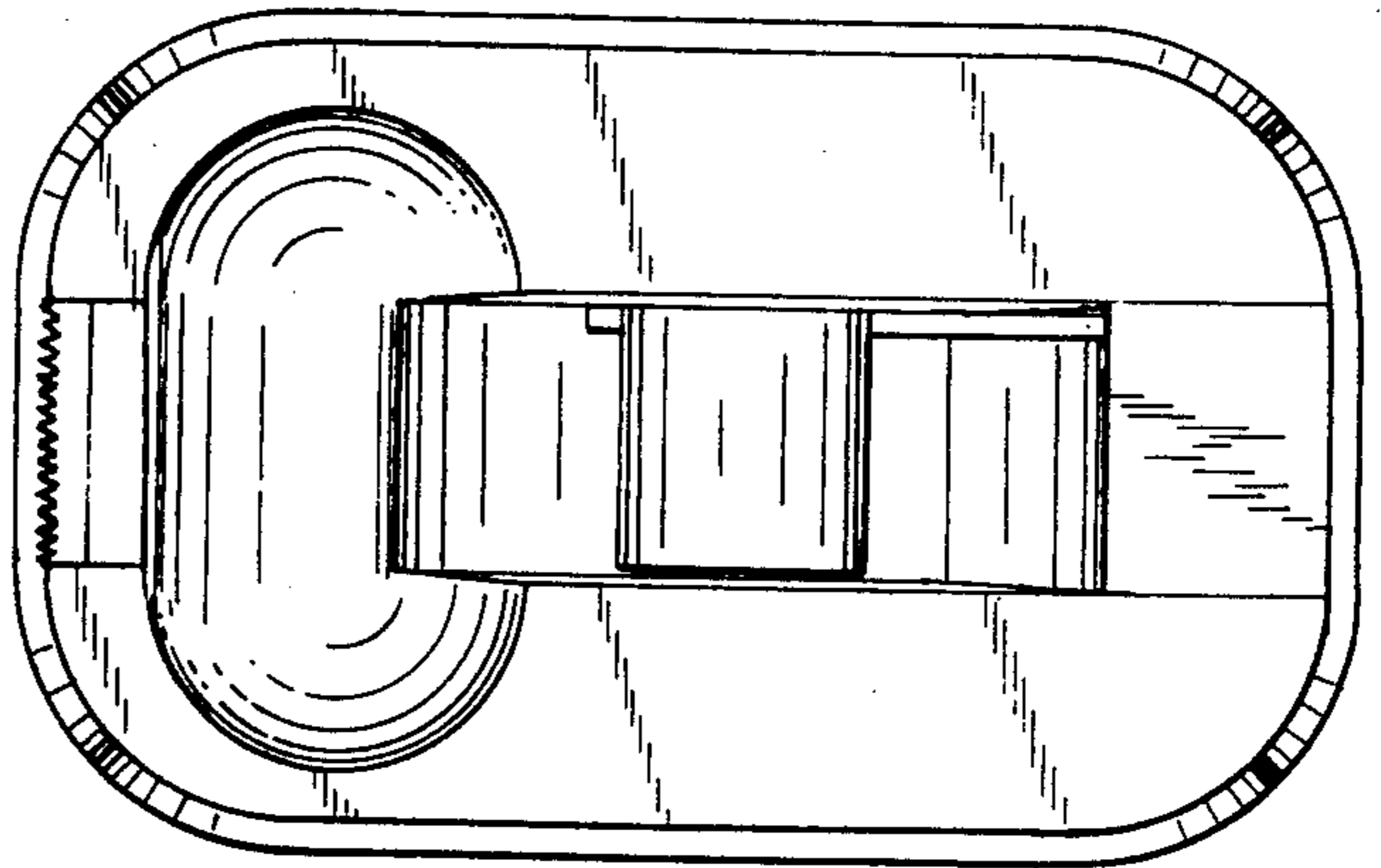


FIG. 3

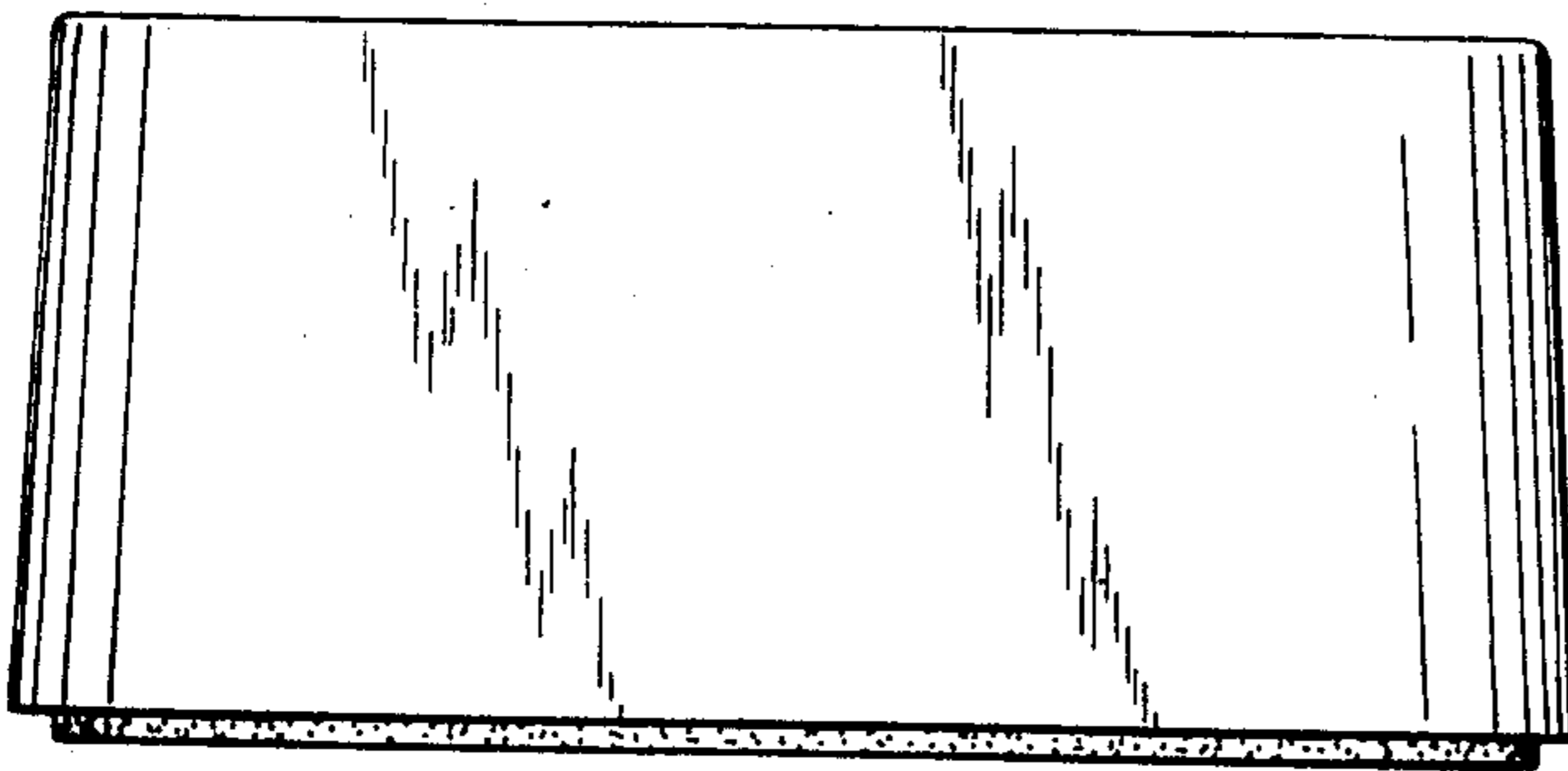


FIG. 4

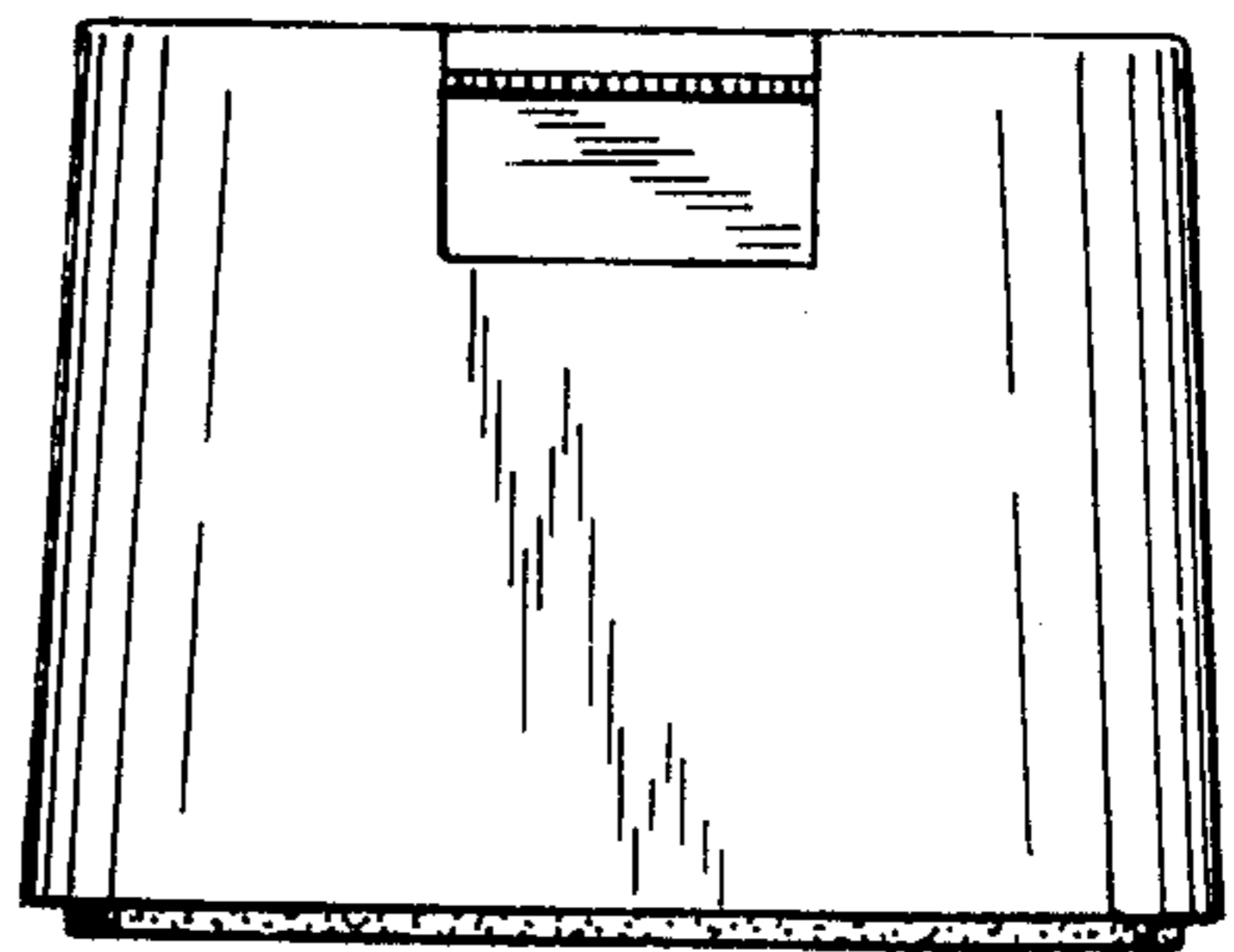


FIG. 6

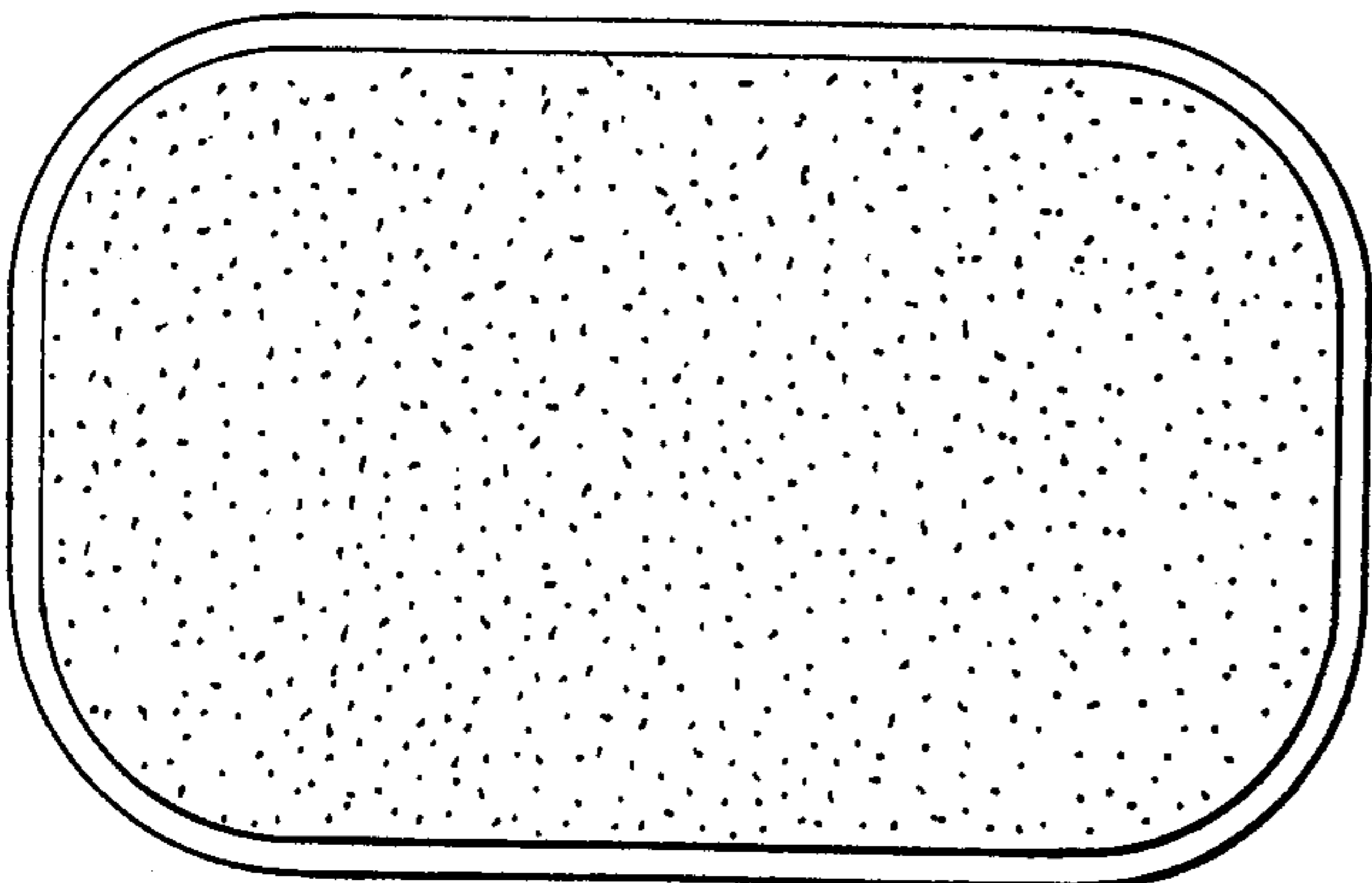


FIG. 5

