

[54] ELECTROPHOTOGRAPHICAL
DUPLICATOR

[75] Inventors: **Isao Kitai; Matafumi Ikeda; Tsutomu Yamazaki**, all of Osaka, Japan

[73] Assignee: **Sharp Kabushiki Kaisha**, Osaka, Japan

[**] Term: **14 Years**

[21] Appl. No.: **774,032**

[22] Filed: **Mar. 3, 1977**

[30] Foreign Application Priority Data

Sep. 6, 1976 [JP] Japan 51/353445

[51] Int. Cl. **D16-03**

[52] U.S. Cl. **D16/31**

[58] Field of Search **D16/27, 28, 29, 30, D16/31, 32; 355/3 R, 8, 9**

[56] References Cited

U.S. PATENT DOCUMENTS

D. 222,298	10/1971	Ishii	D16/31
D. 231,127	4/1974	Case et al.	D16/31
D. 236,915	9/1975	Hideshima	D16/31
D. 243,522	3/1977	Nakade	D16/31

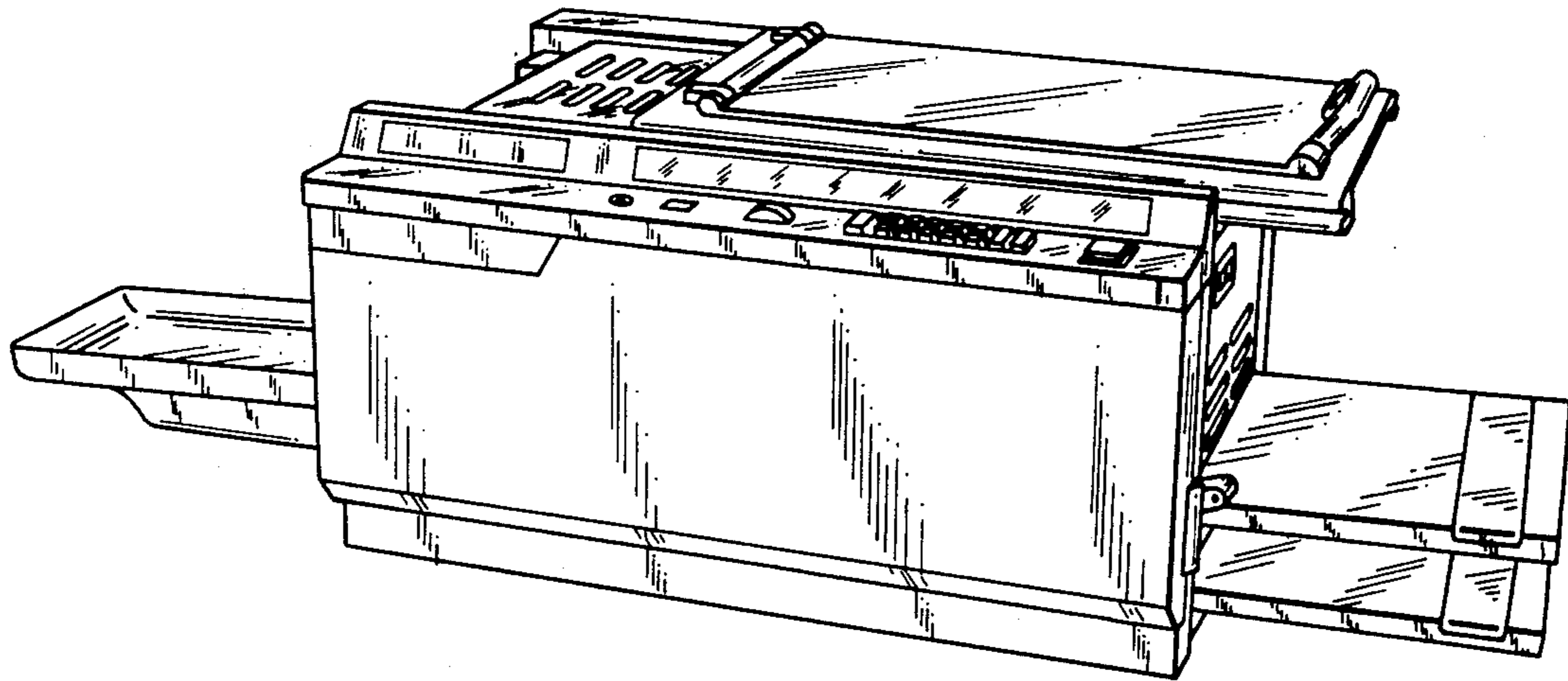
Primary Examiner—Wallace R. Burke
Assistant Examiner—Catherine Kemper
Attorney, Agent, or Firm—Paul D. Flehr

[57] CLAIM

The ornamental design for an electrophotographical duplicator, as shown and described.

DESCRIPTION

FIG. 1 is a perspective view of the electrophotographical duplicator showing our new design with the input and output trays extended;
FIG. 2 is a front elevational view thereof with the input and output trays retracted;
FIG. 3 is a rear elevational view thereof;
FIG. 4 is a right side elevational view thereof;
FIG. 5 is a left side elevational view thereof;
FIG. 6 is a plan view thereof; and
FIG. 7 is a bottom view thereof.



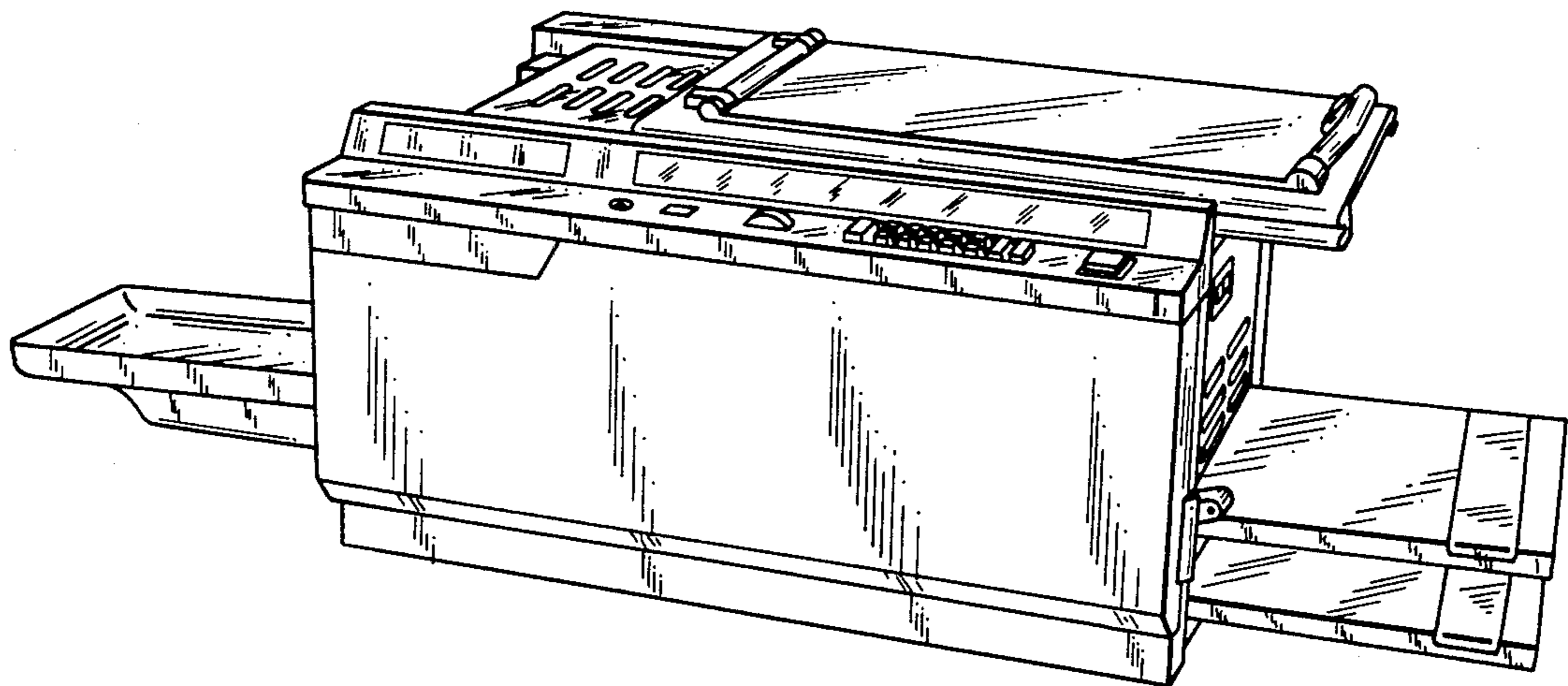


FIG. 1

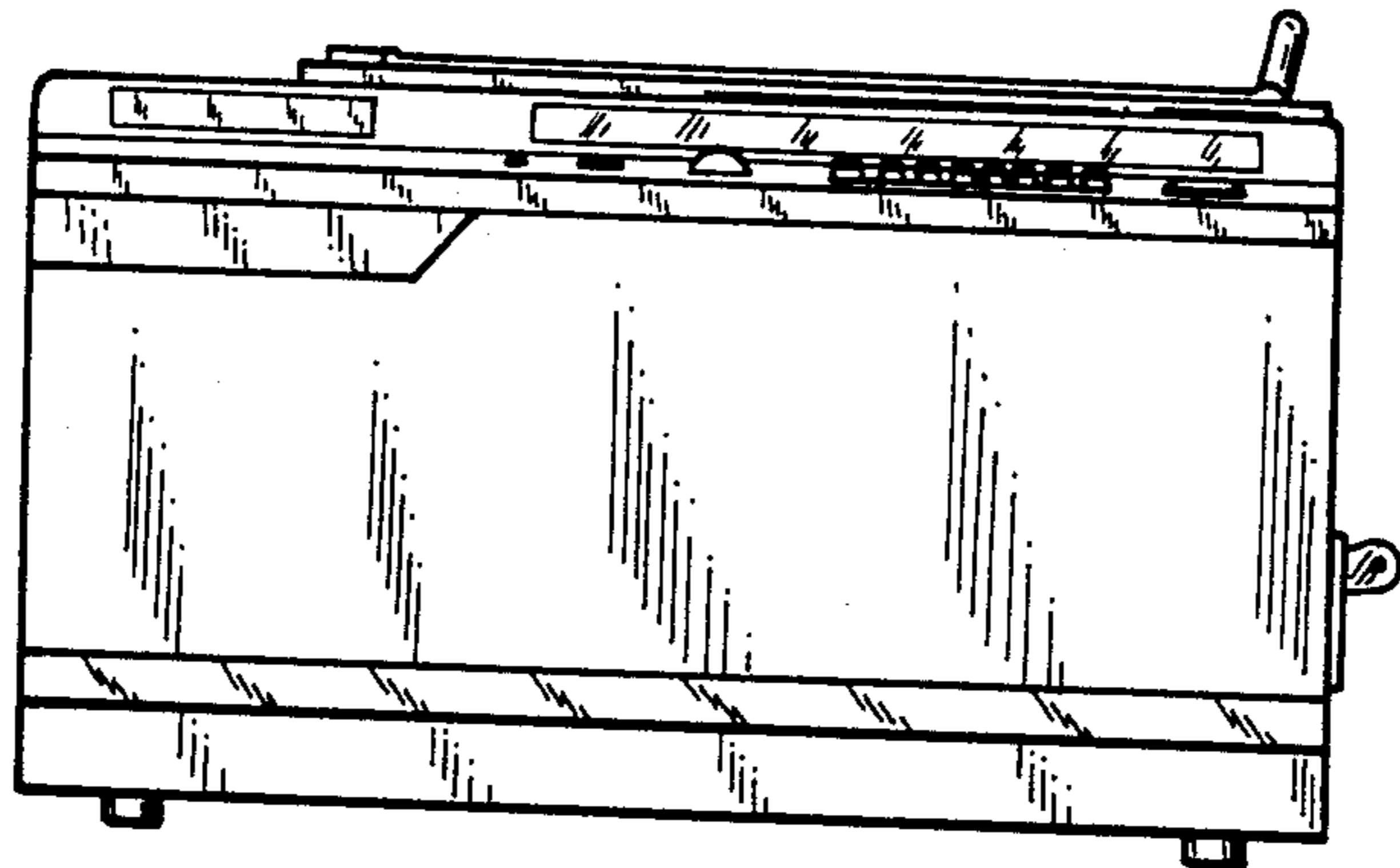


FIG. 2

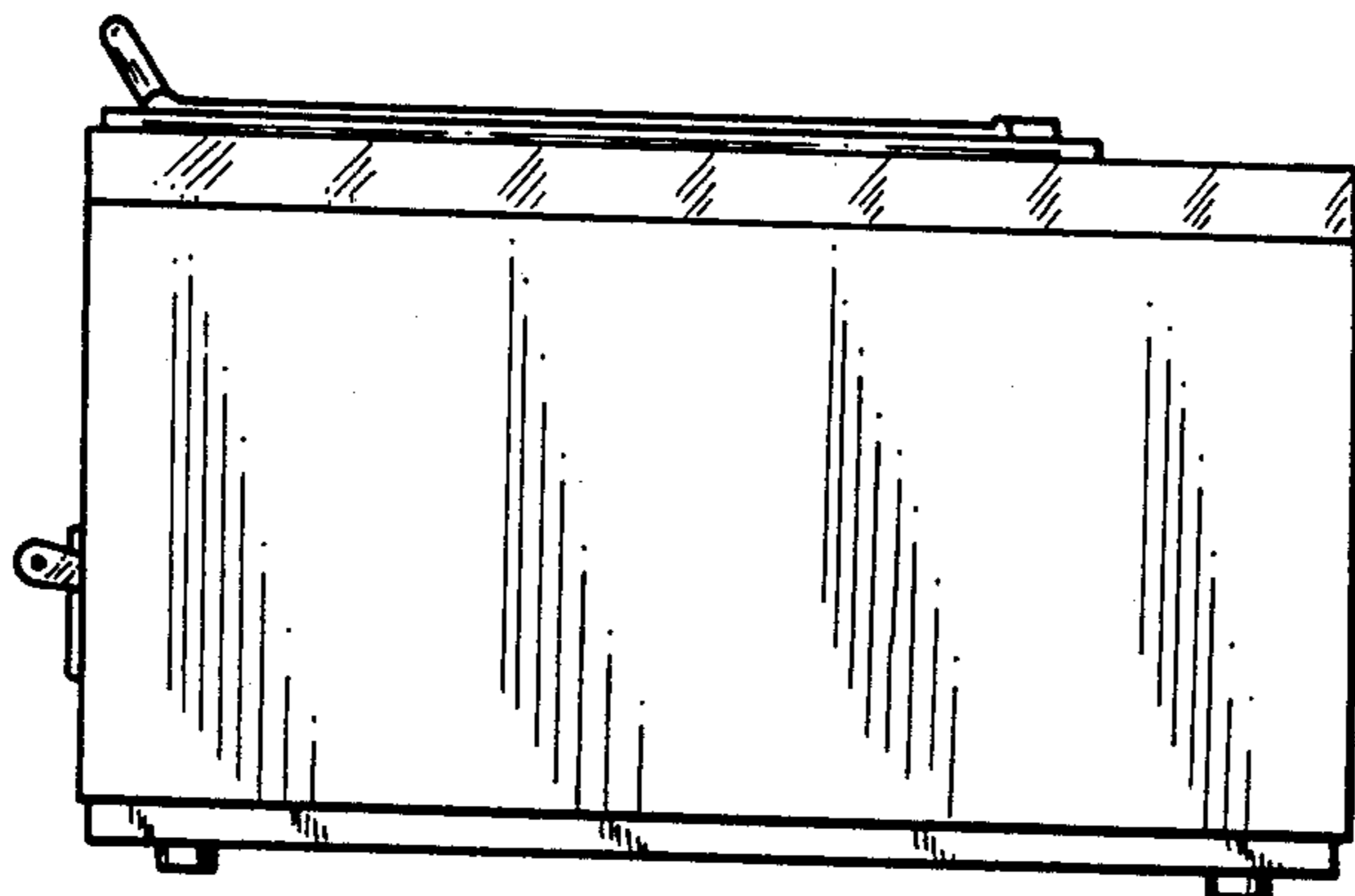
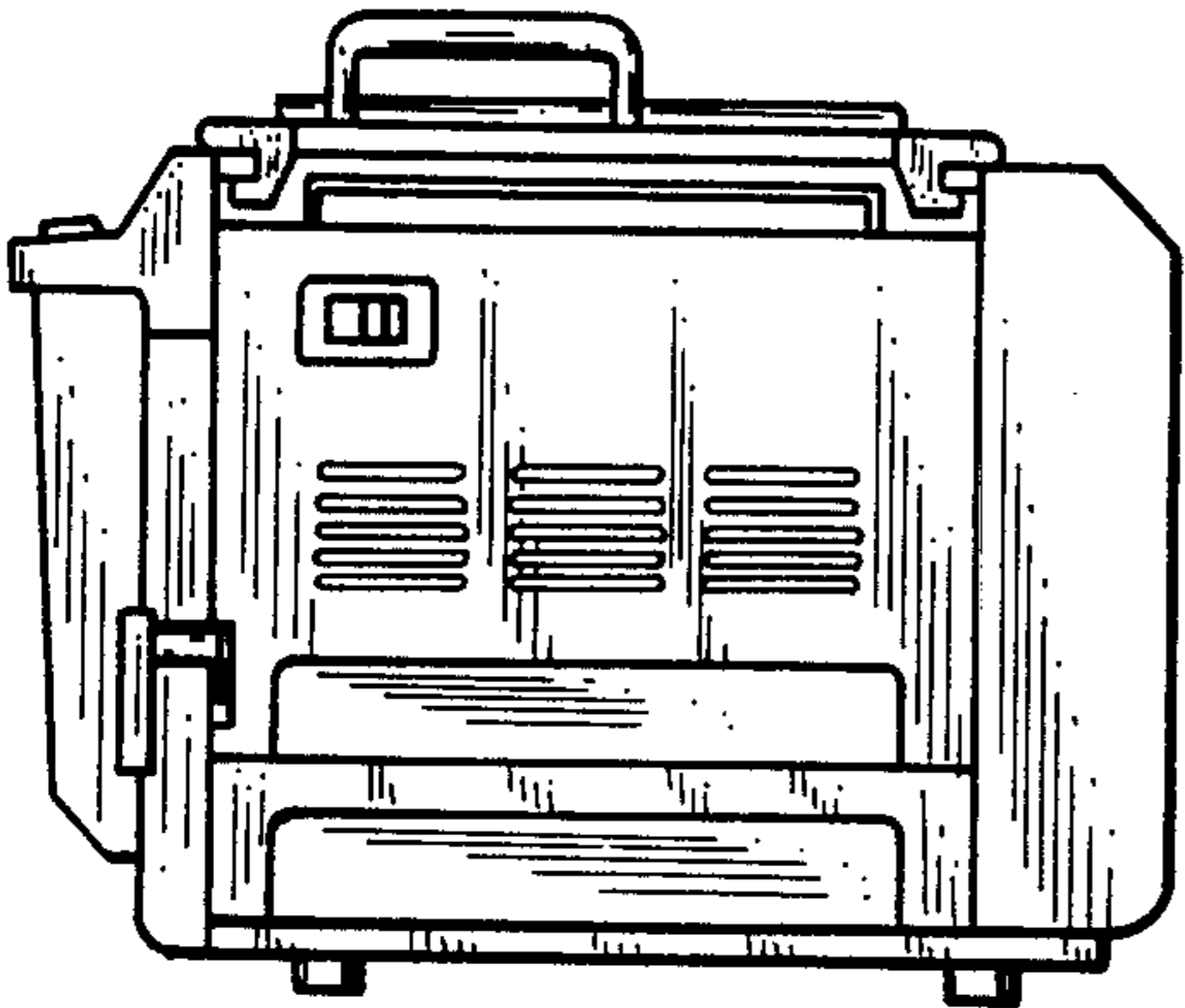
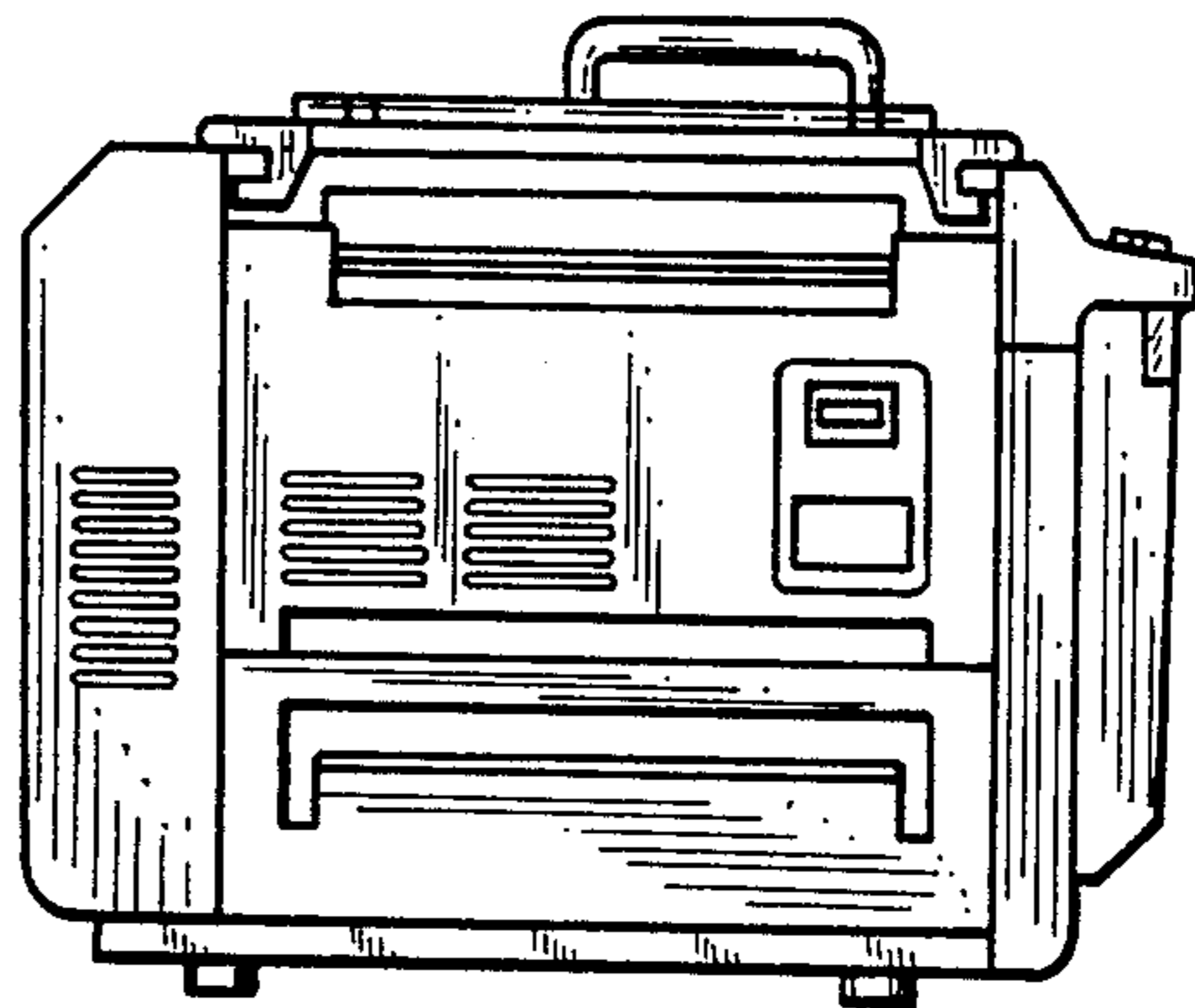


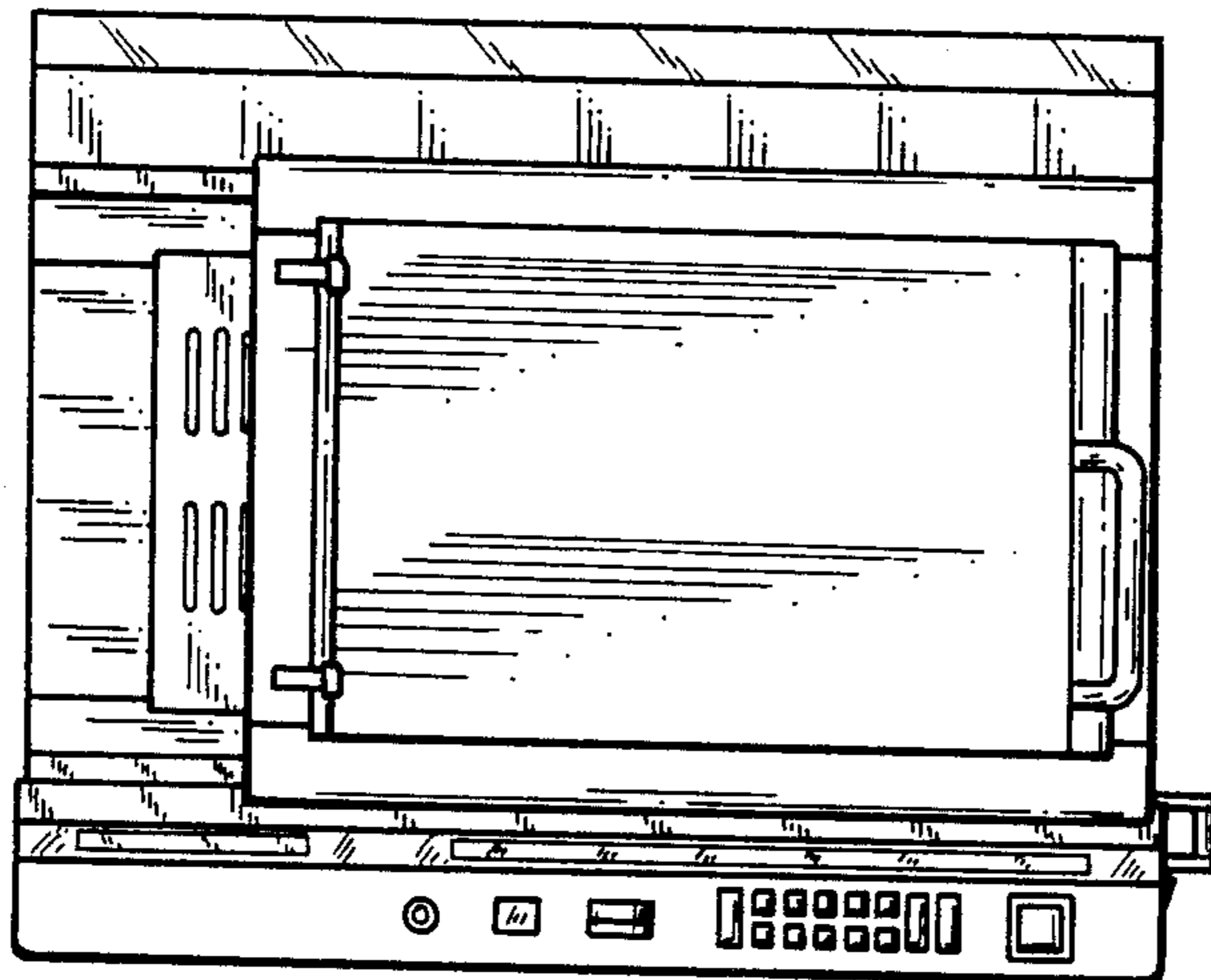
FIG. 3



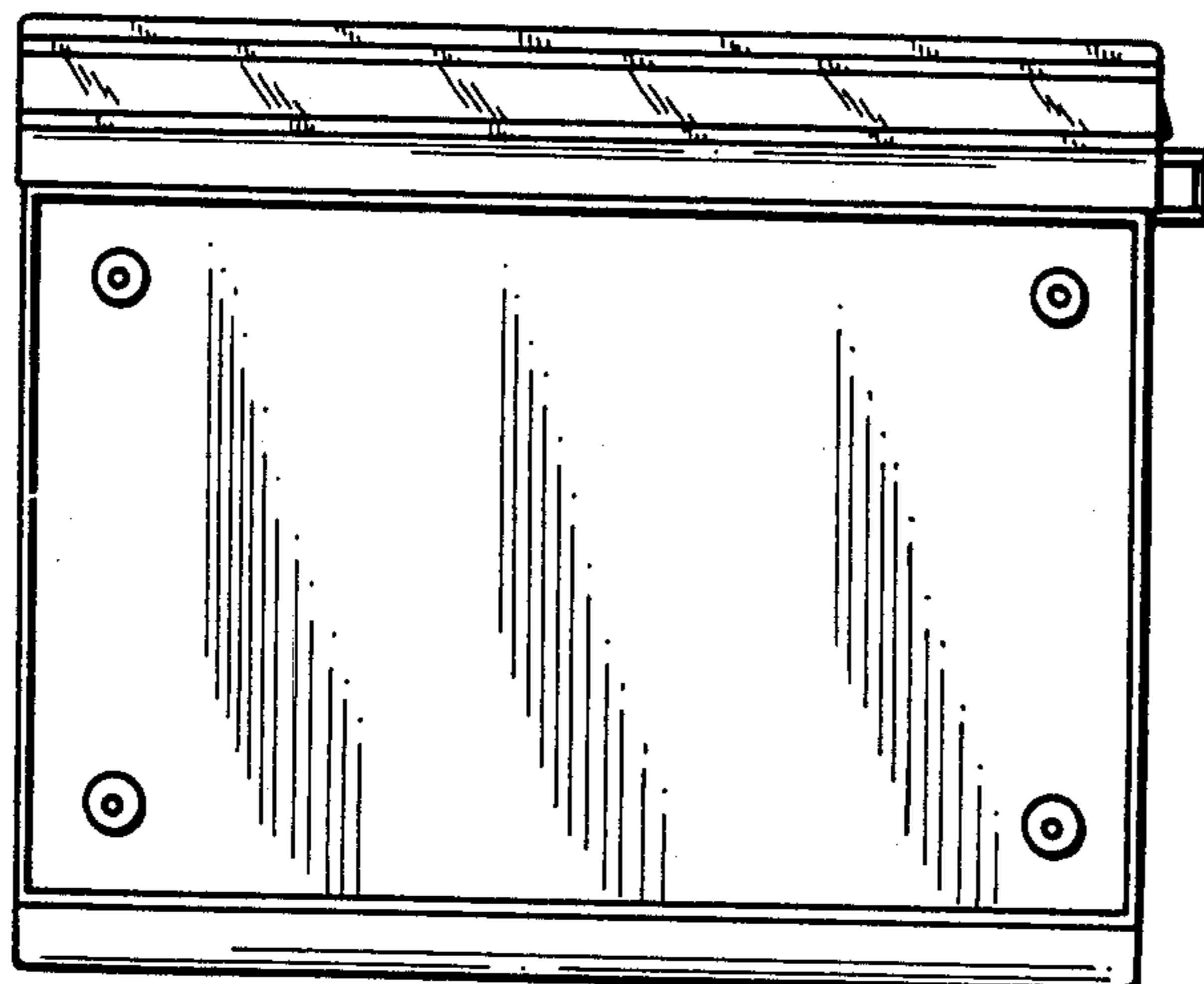
FIG_4



FIG_5



FIG_6



FIG_7