

[54] MOTION PICTURE PROJECTOR

[75] Inventors: Norman R. Kubnick, Skokie; Albert L. Nagele, Wilmette, both of Ill.

[73] Assignee: Bell & Howell Company, Chicago, Ill.

[**] Term: 14 Years

[21] Appl. No.: 703,396

[22] Filed: Jul. 8, 1976

[51] Int. Cl. D16-02

[52] U.S. Cl. D16/23

[58] Field of Search D16/20, 22, 23, 26; 353/46, 71, 119; 352/104, 166, 197, 242, 243

[56] References Cited

U.S. PATENT DOCUMENTS

D. 201,930	8/1965	Collister	D16/23
D. 218,197	7/1970	Ainslie	D16/23
D. 224,057	6/1972	Tanaka	D16/23
D. 224,627	8/1972	Okada	D16/23
D. 242,170	11/1976	Kato	D16/23

Primary Examiner—Wallace R. Burke
Assistant Examiner—Catherine Kemper
Attorney, Agent, or Firm—John E. Peele, Jr.

[57] CLAIM

The ornamental design for a motion picture projector, as shown and described.

DESCRIPTION

FIG. 1 is a perspective view of a motion picture projector showing our new design.

FIG. 2 is a side elevational view thereof.

FIG. 3 is an elevational view of the side opposite to that shown in FIG. 2.

FIG. 4 is a front elevational view thereof.

FIG. 5 is a rear elevational view thereof.

FIG. 6 is a top plan view thereof.

FIG. 7 is a bottom plan view thereof.

FIG. 8 is a perspective view of the motion picture projector of FIG. 1 with a take-up reel cover in position thereon.

FIG. 9 is a perspective view of the motion picture projector of FIG. 1 with a protective cover in position thereon.

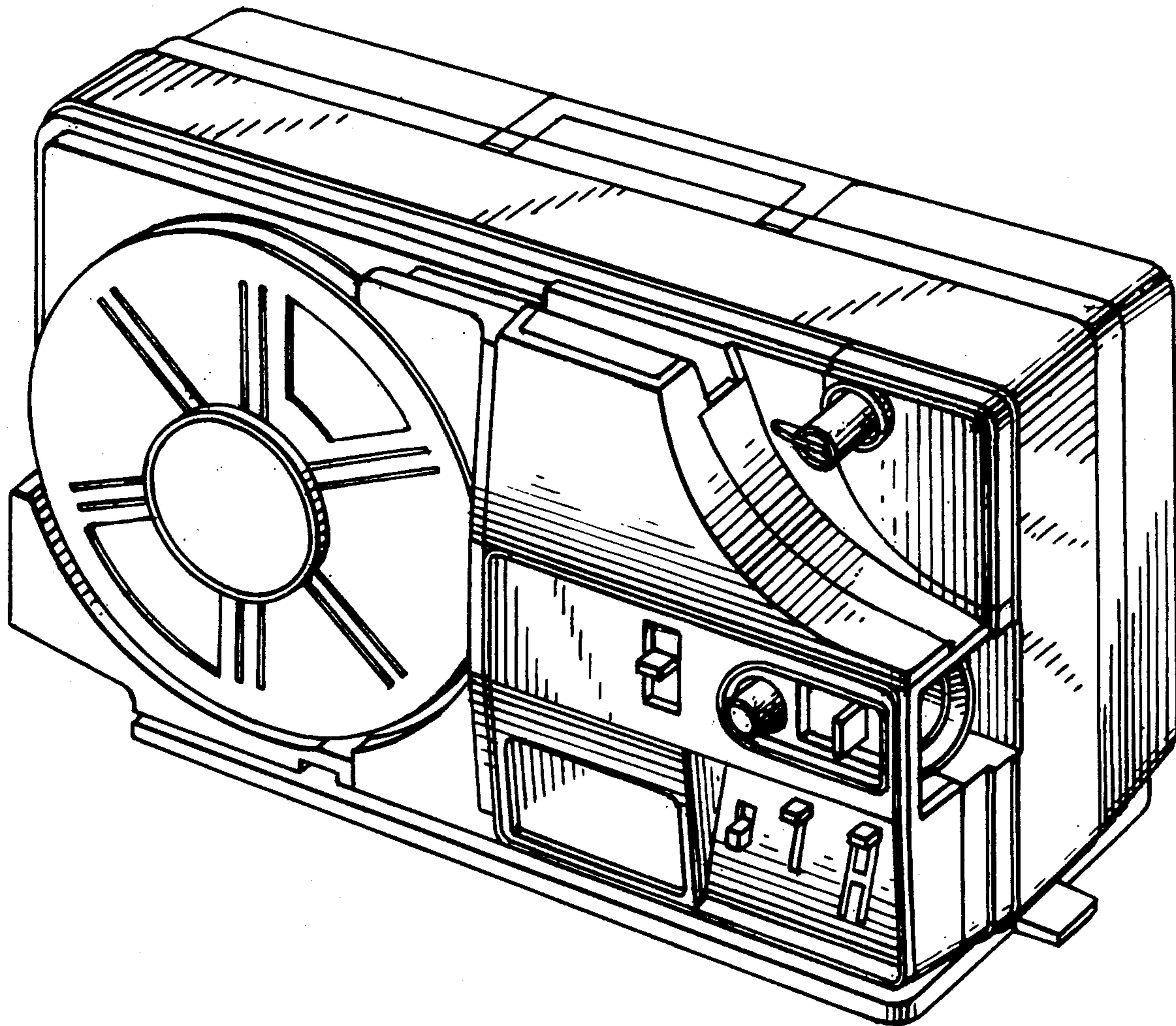


Fig. 1.

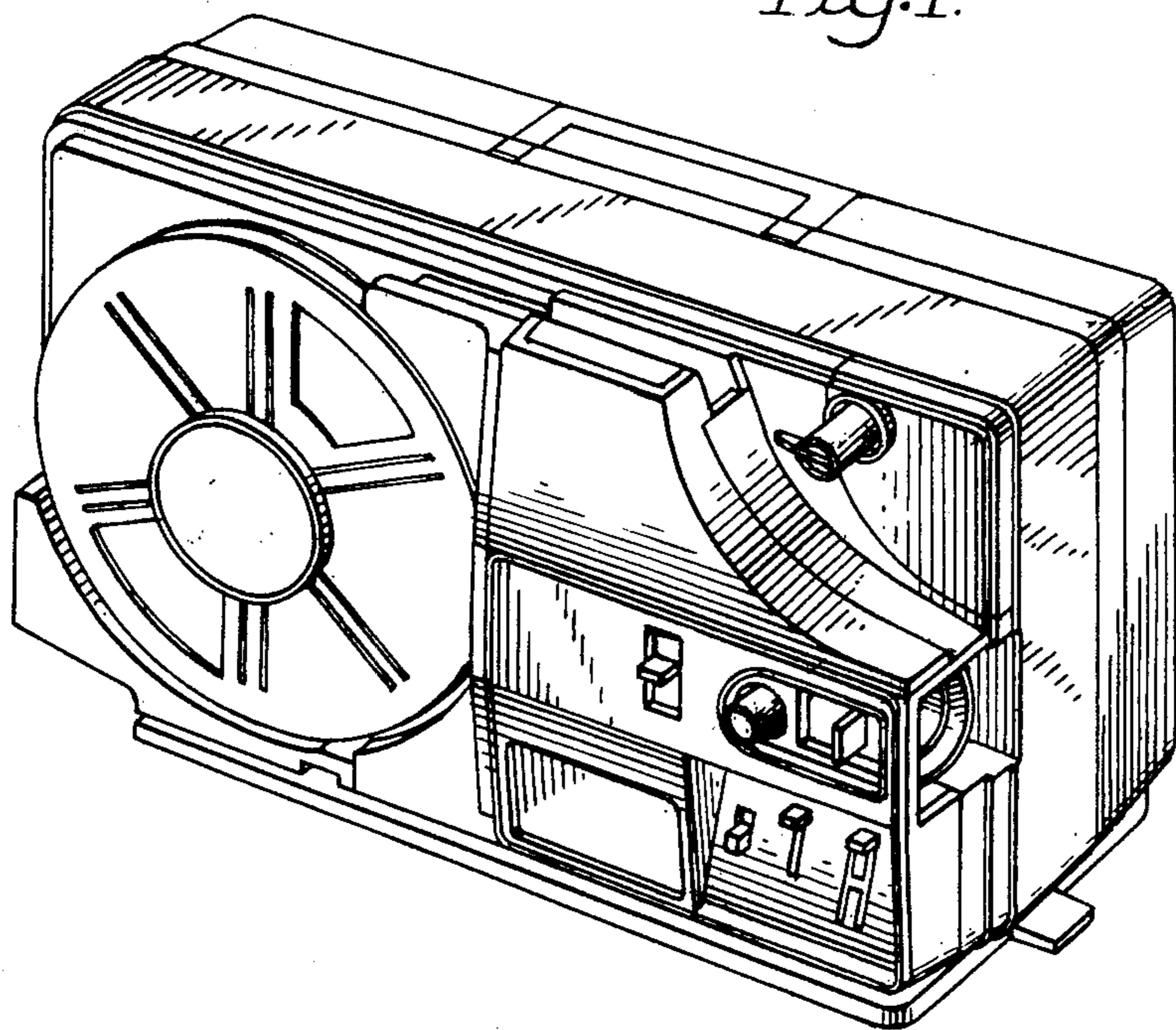


Fig. 2.

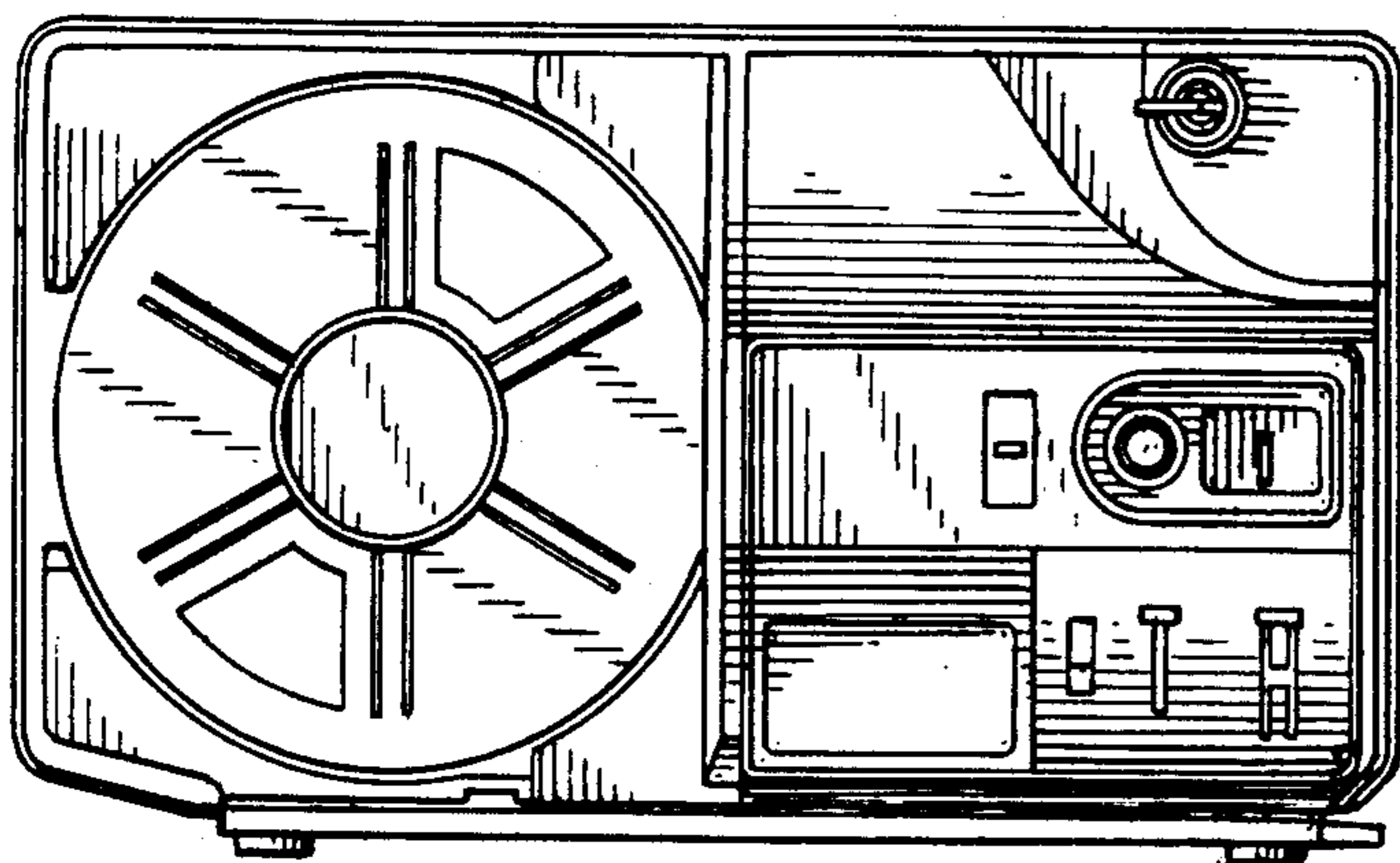


Fig. 4.

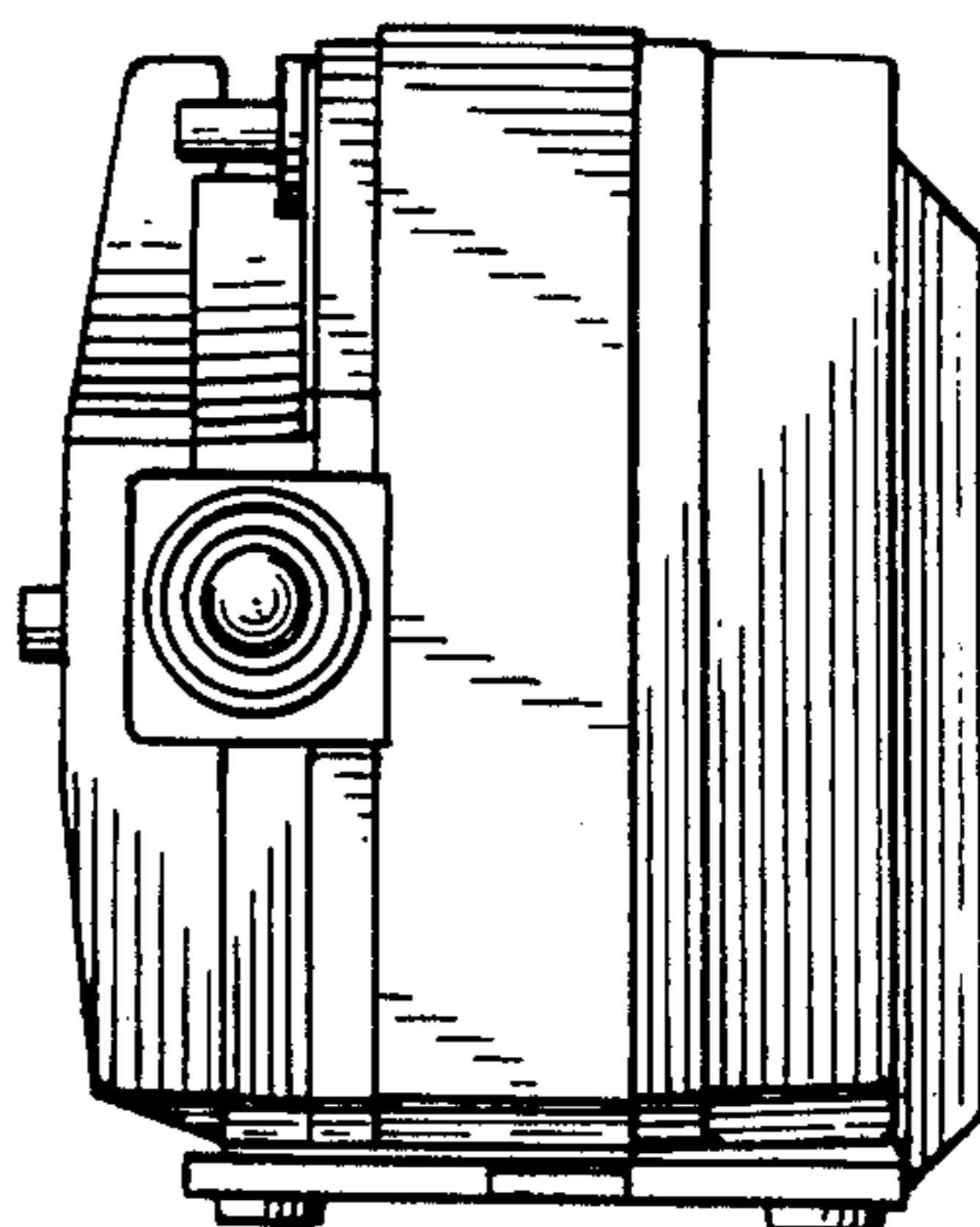


Fig. 3.

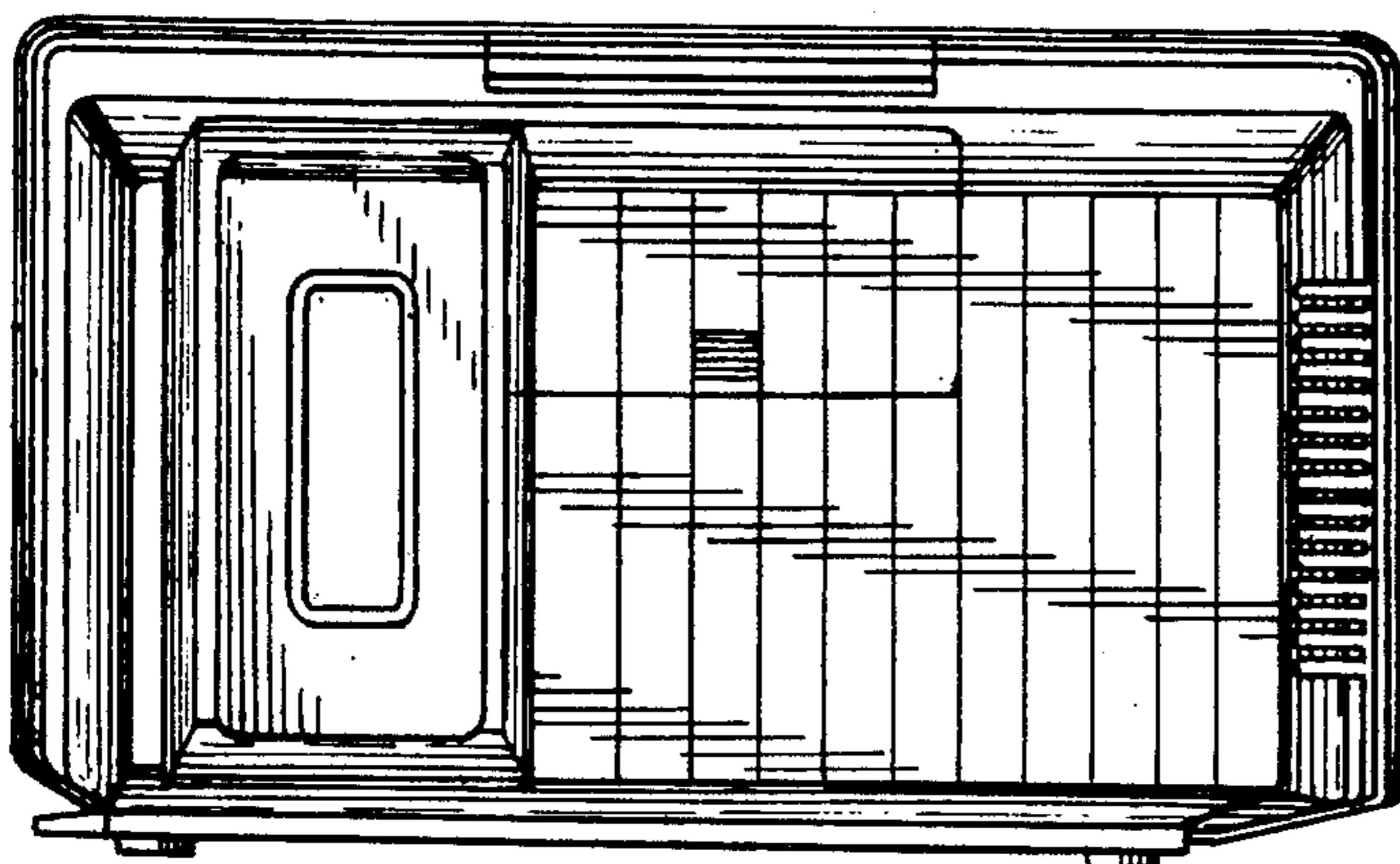


Fig. 5.

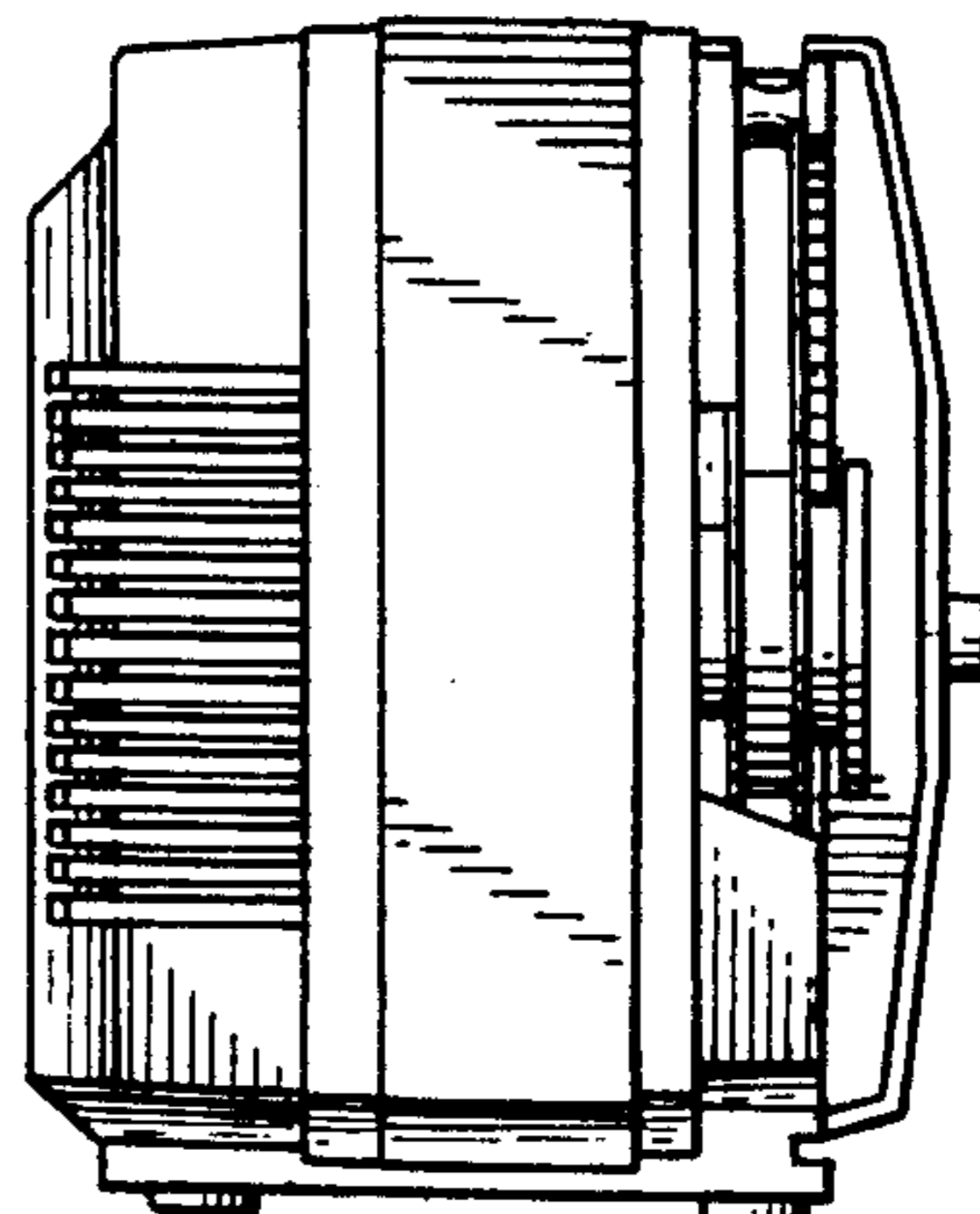


Fig. 7.

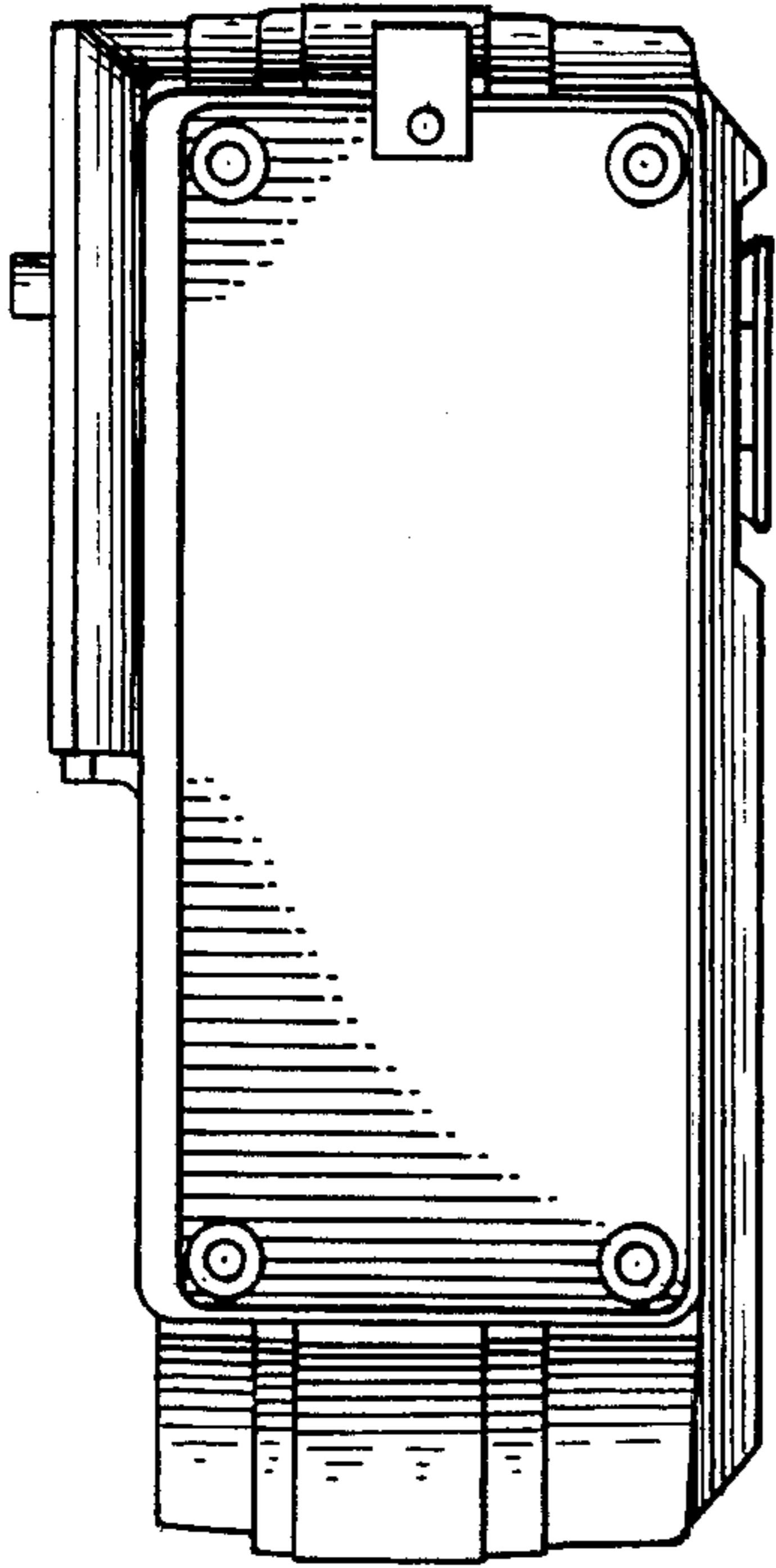


Fig. 9.

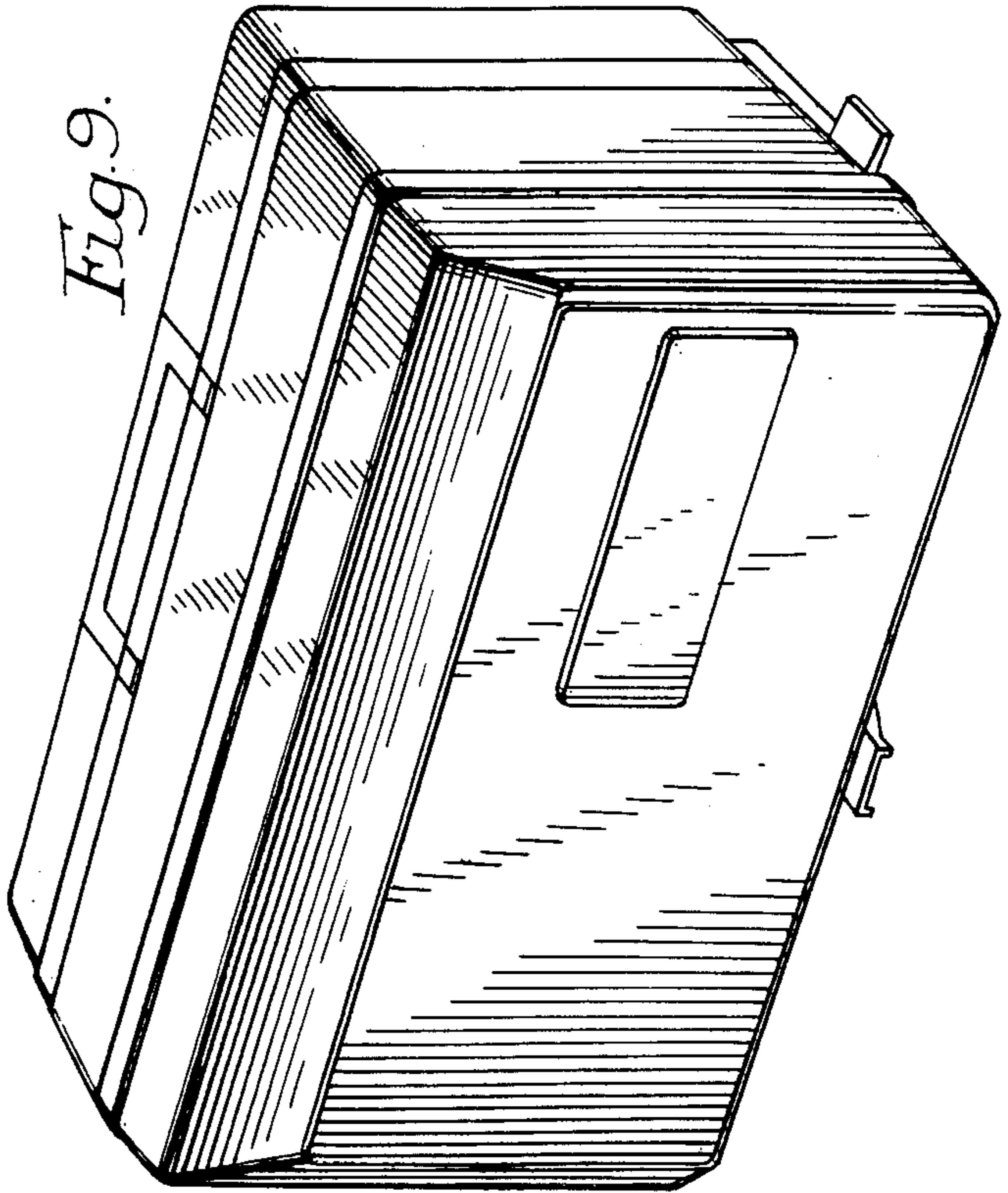


Fig. 6.

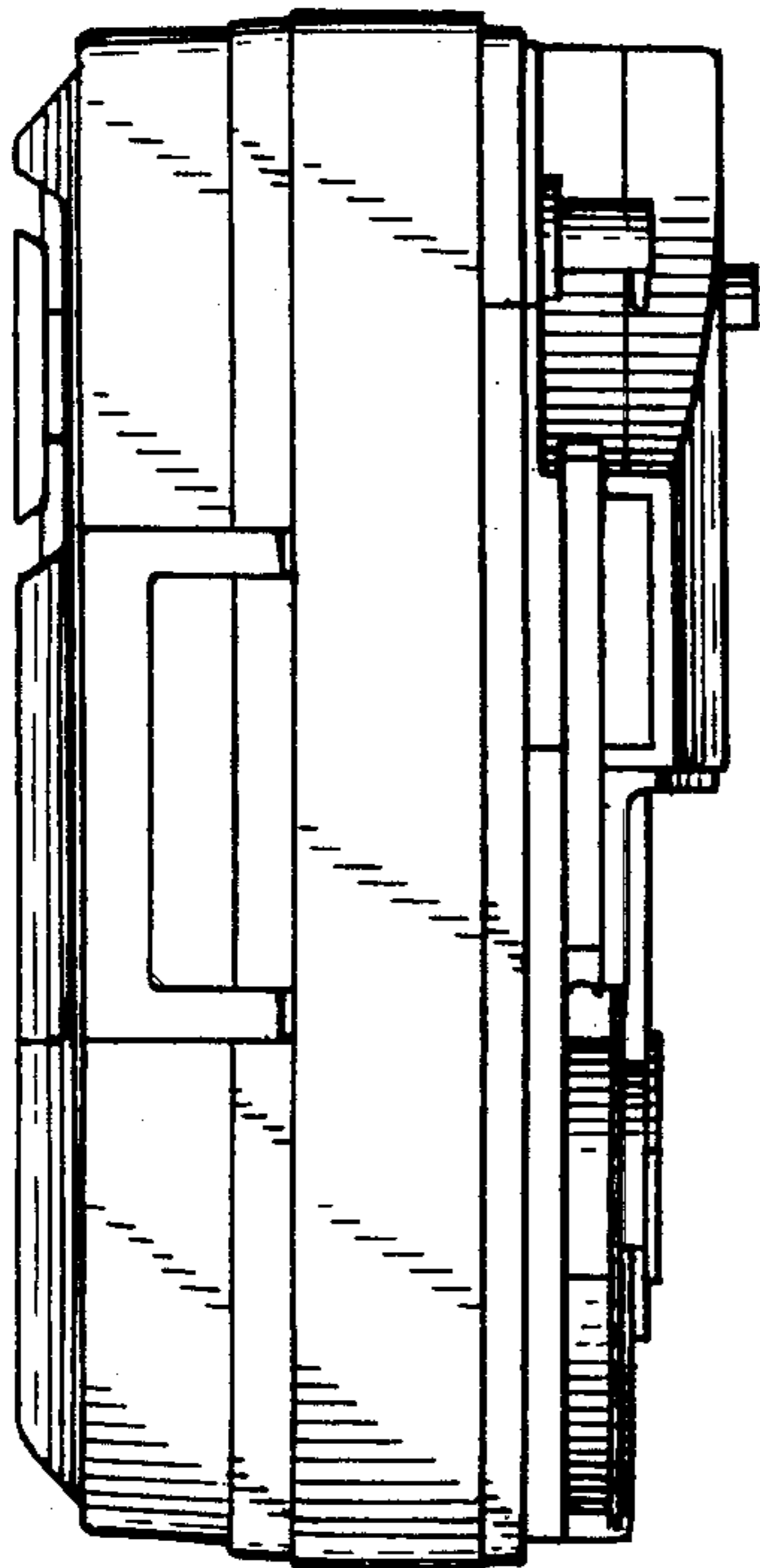


Fig. 8.

