

[54] TREE HARVESTER

[75] Inventors: Olli Aho, Tampere; Timo Hartman, Pirkkala; Jouko Hyytiäinen, Tampere; Matti Kaarnametsä, Tampere; Jukko Moisander, Tampere; Markku Mäkelä, Tampere; Kari Rikkonen, Tampere, all of Finland

[73] Assignee: Rauma-Repola Oy, Lokomon Tehtaat, Finland

[\*\*] Term: 14 Years

[21] Appl. No.: 715,880

[22] Filed: Aug. 19, 1976

[30] Foreign Application Priority Data

Feb. 27, 1976 [FI] Finland ..... 76101

[51] Int. Cl. .... D15-03

[52] U.S. Cl. .... D15/26

[58] Field of Search ..... D15/26, 21; 144/2 Z, 144/3 D, 309 A, 309 C

[56] References Cited

U.S. PATENT DOCUMENTS

3,464,468 9/1969 Thompson et al. .... 144/3 D

3,618,647 11/1971 Stuart, Jr. .... 144/2 Z  
3,623,521 11/1971 Shields ..... 144/2 Z  
3,812,892 5/1974 Jasinski et al. .... 144/3 D

Primary Examiner—Wallace R. Burke  
Assistant Examiner—James M. Gandy  
Attorney, Agent, or Firm—William L. Mathis

[57] CLAIM

The ornamental design for a tree harvester, substantially as shown and described.

DESCRIPTION

FIG. 1 is a top, front and right side perspective view of a tree harvester showing our new design with the boom operatively positioned toward the rear of the vehicle; FIG. 2 is a rear and right side perspective view thereof with the boom operatively positioned in front of the vehicle;

FIG. 3 is a top, front and left side perspective view thereof with the boom operatively positioned in front of the vehicle and with the boom gripping claws in closed condition;

FIG. 4 is a front perspective view thereof with the boom operatively positioned toward the rear of the vehicle; and

FIG. 5 is a top perspective view thereof with the boom operatively positioned in front of the vehicle and with the boom gripping claws in open condition.

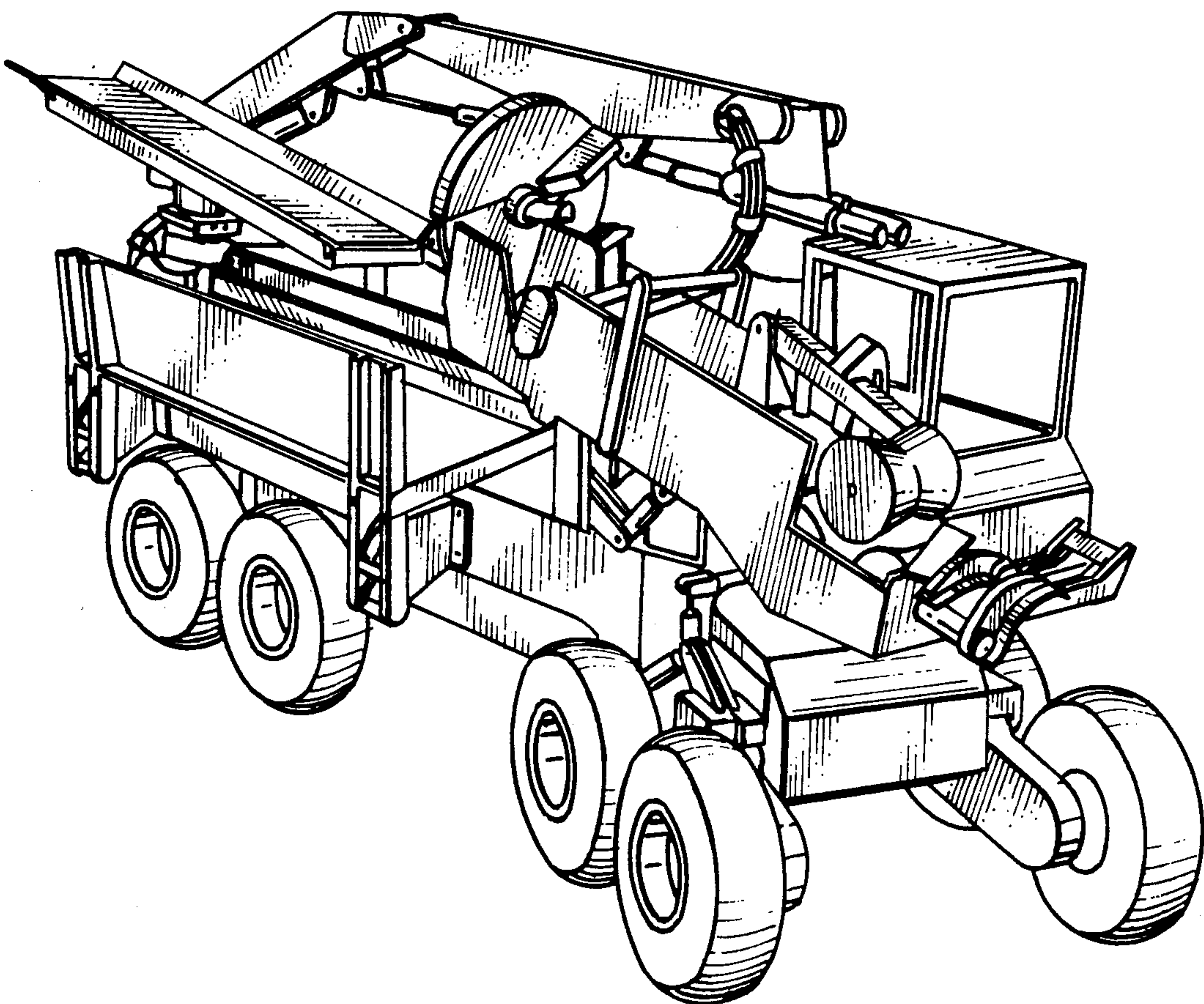


FIG. 1.

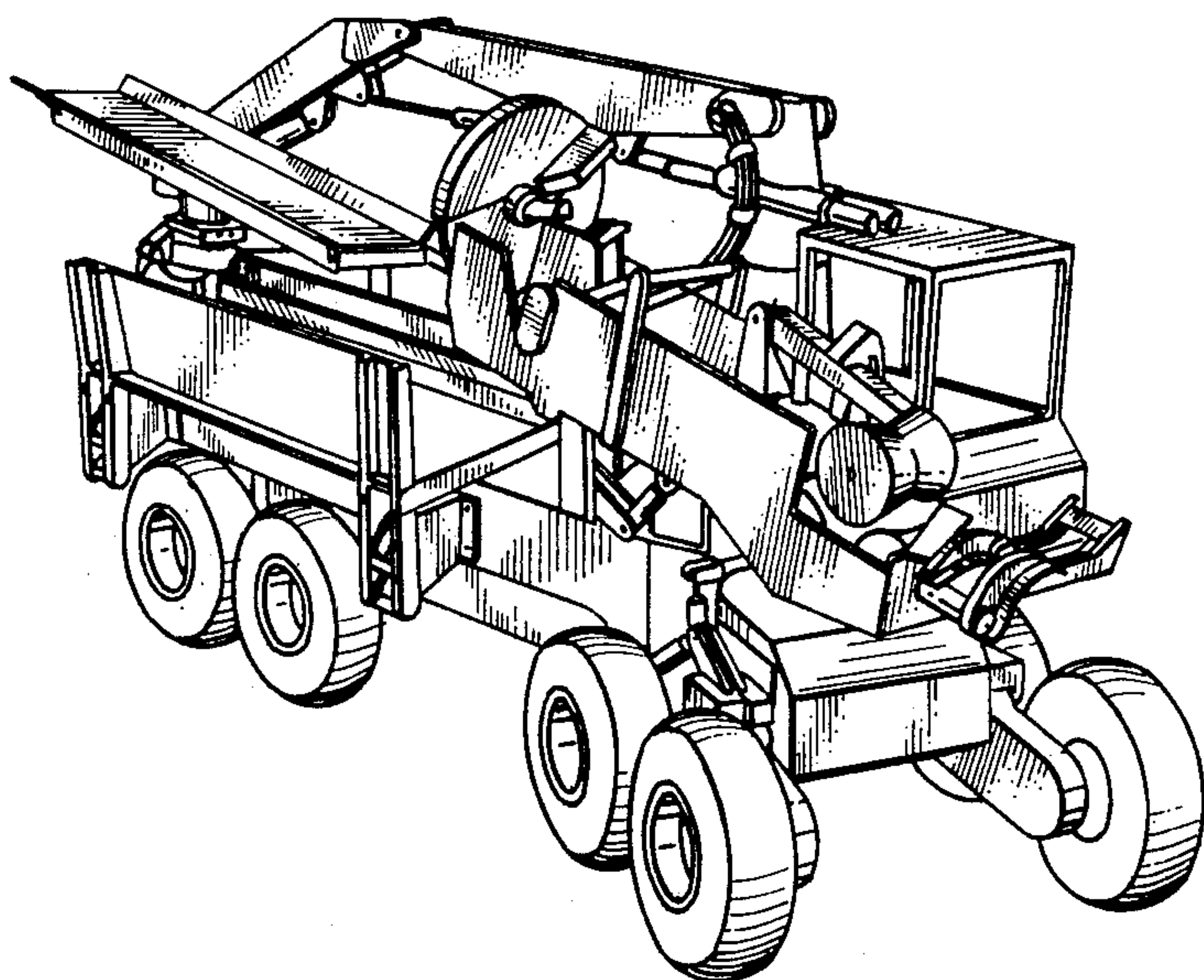


FIG. 2.

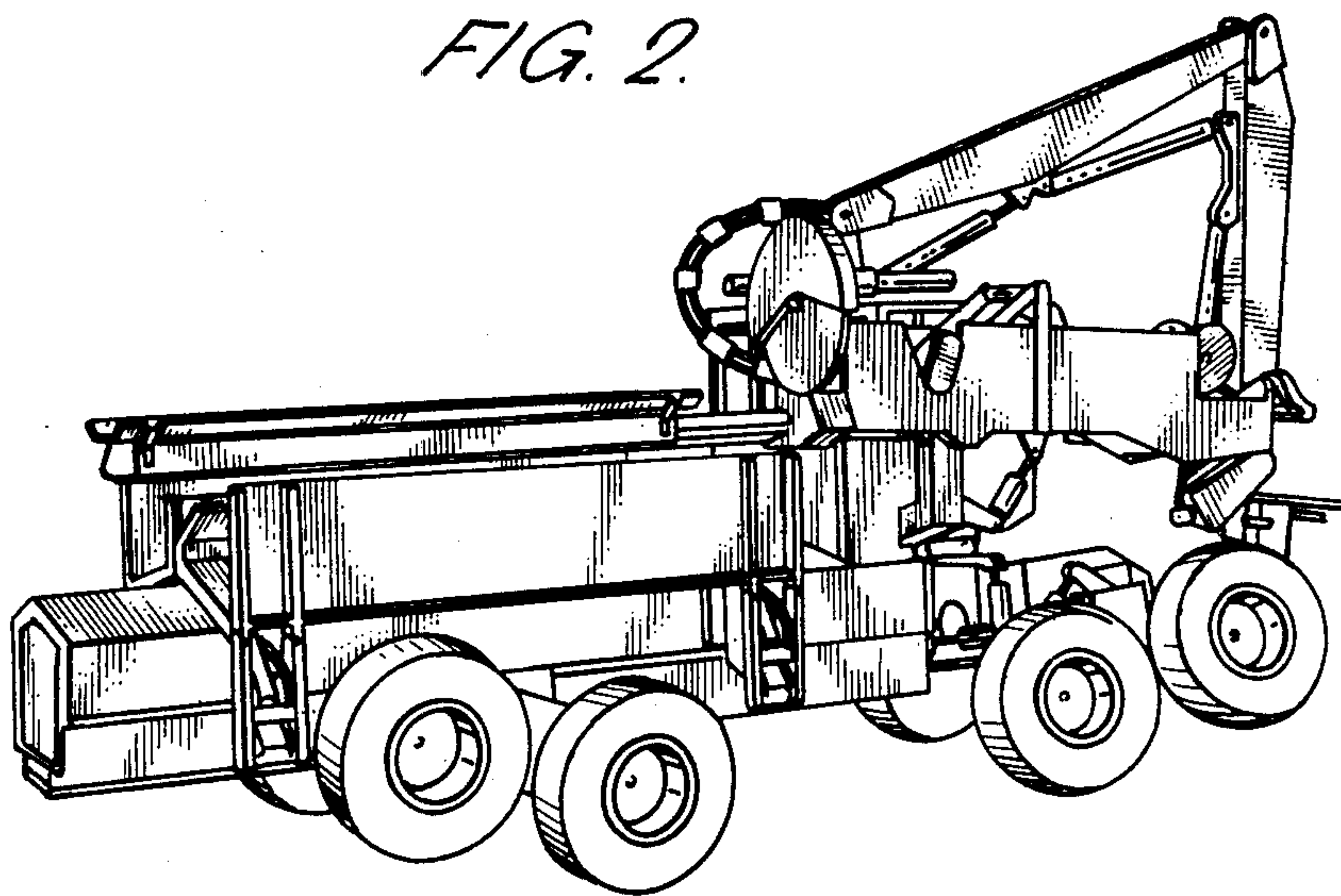




FIG. 3.

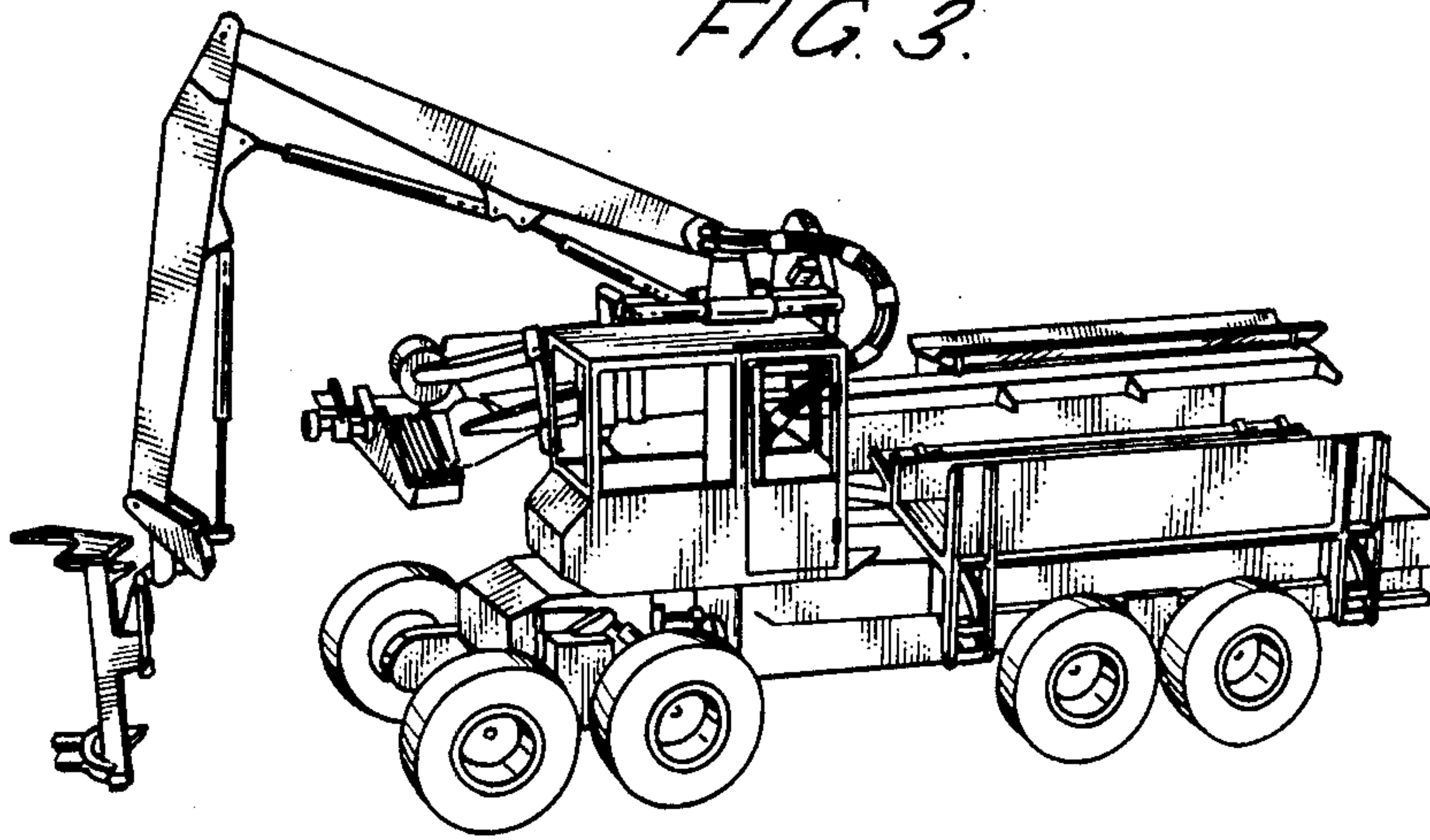


FIG. 5.

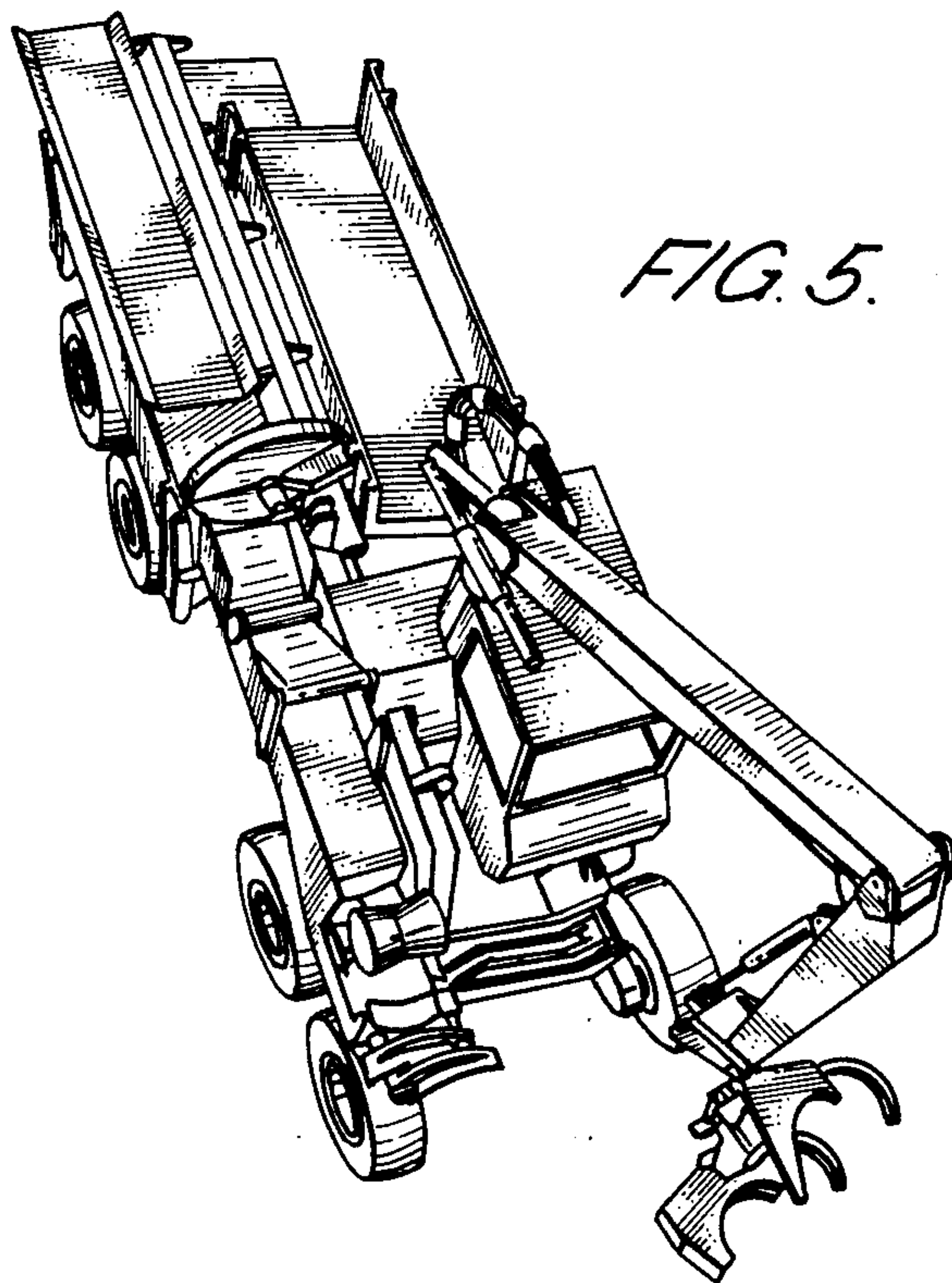


FIG. 4.

