

- [54] **AUXILIARY TELEPHONE-RECEIVER SADDLE**
- [76] Inventor: **Richard L. Vitacco**, 1653 Thurston Ave., Racine, Wis. 53405
- [\*\*] Term: **14 Years**
- [21] Appl. No.: **675,588**
- [22] Filed: **Apr. 9, 1976**
- [51] Int. Cl. .... **D14-03**
- [52] U.S. Cl. .... **D14/59; 179/146 R**
- [58] Field of Search ..... 179/100 R, 100 D, 178, 179/146 R, 179; D14/65, 59

D. 195,209	5/1963	Mourra .....	D14/59
2,693,509	11/1954	Selee .....	179/146 R
2,703,823	3/1955	Orms .....	179/146 R
3,022,386	2/1962	Ireland .....	179/146 R
3,654,405	4/1972	Hanson et al. ....	179/146 R

*Primary Examiner*—Bernard Ansher  
*Attorney, Agent, or Firm*—Axel H. Johnson

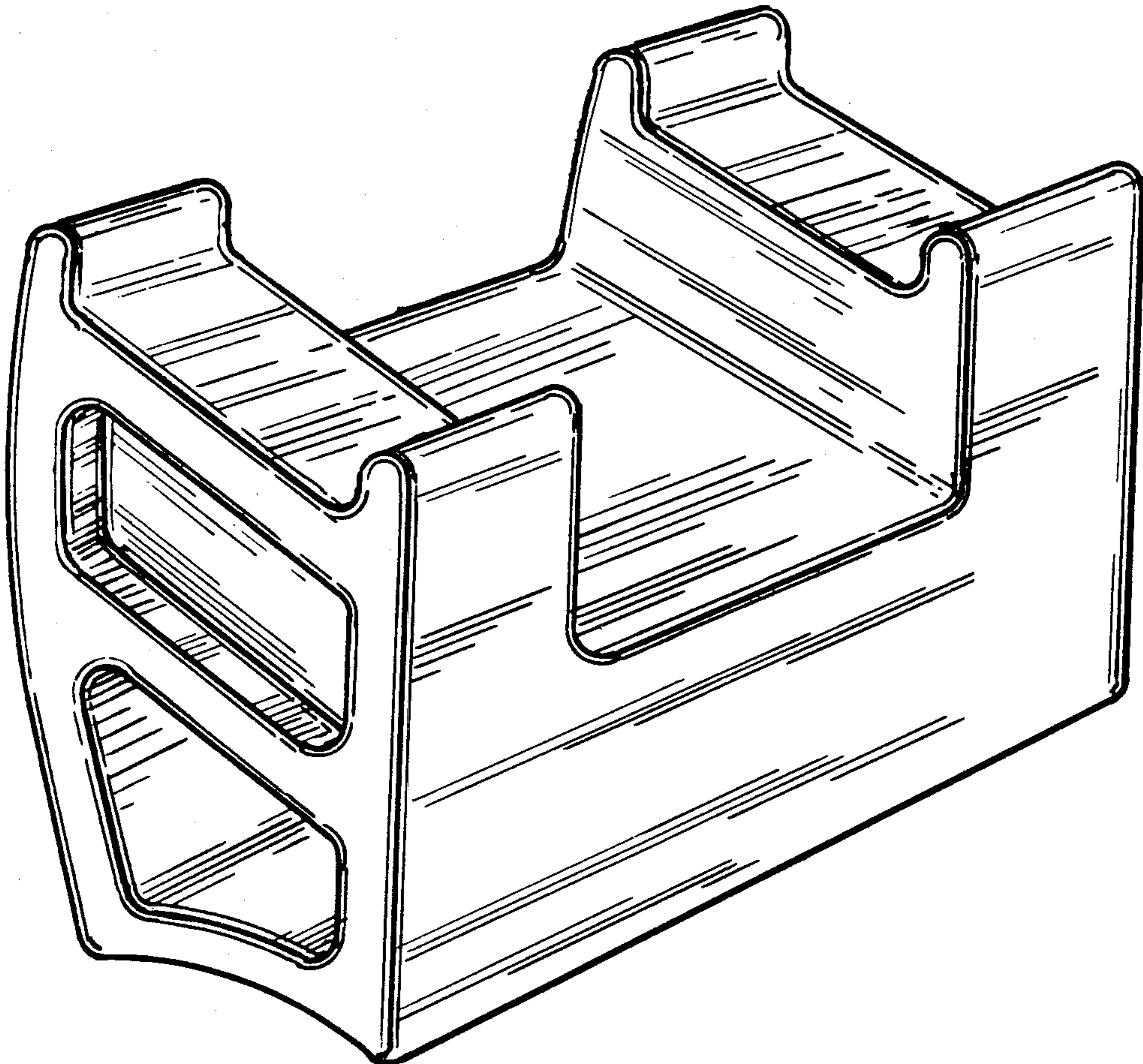
[57] **CLAIM**

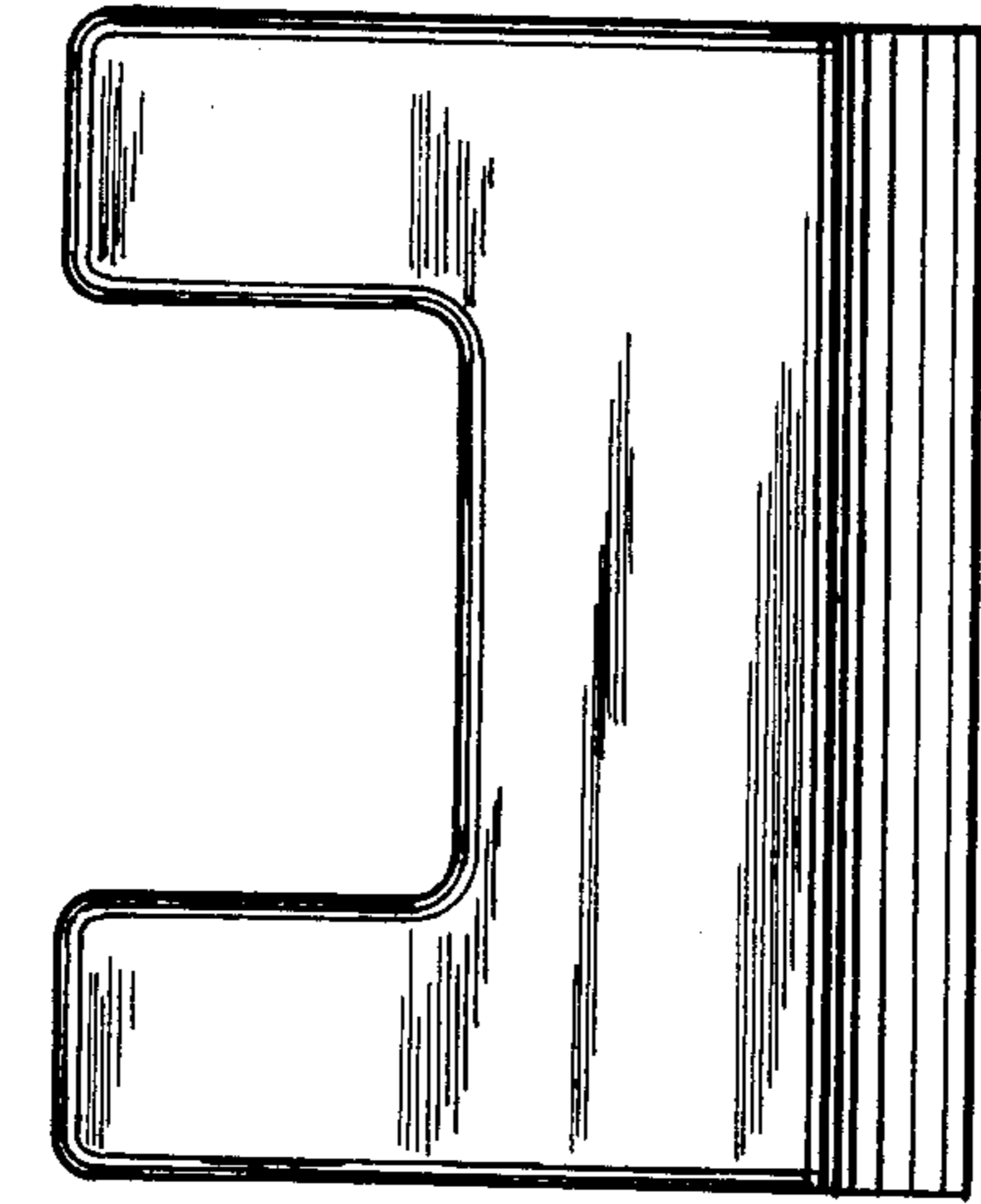
The ornamental design for an auxiliary telephone-receiver saddle, as shown and described.

**DESCRIPTION**

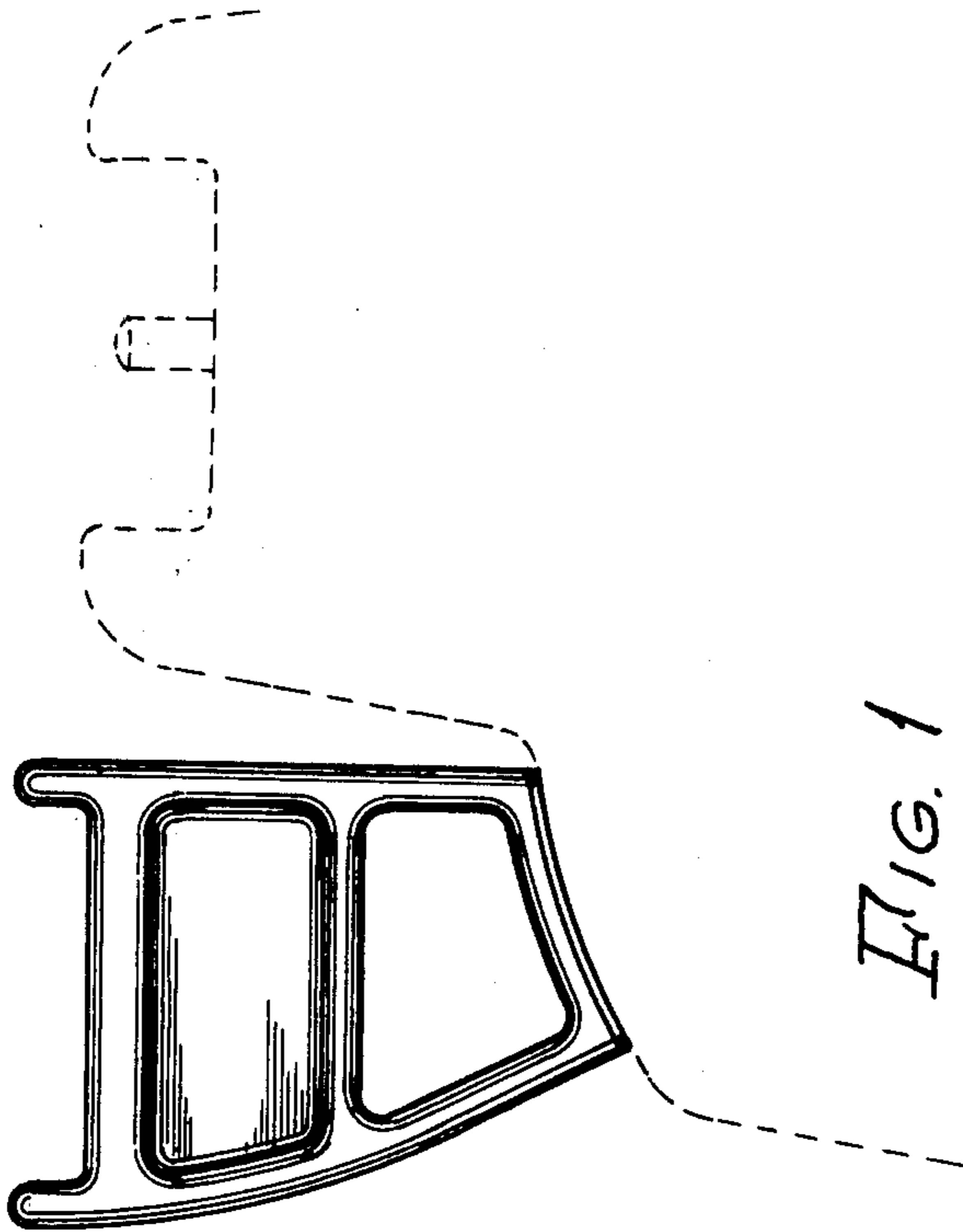
FIG. 1 is a side elevational view of an auxiliary telephone-receiver saddle showing my design;  
 FIG. 2 is a front elevation thereof;  
 FIG. 3 is a top front perspective view thereof, and  
 FIG. 4 is a bottom rear perspective view thereof.

- [56] **References Cited**
- U.S. PATENT DOCUMENTS**
- D. 154,762 8/1949 Forkapa ..... D14/59





*FIG. 2*



*FIG. 1*

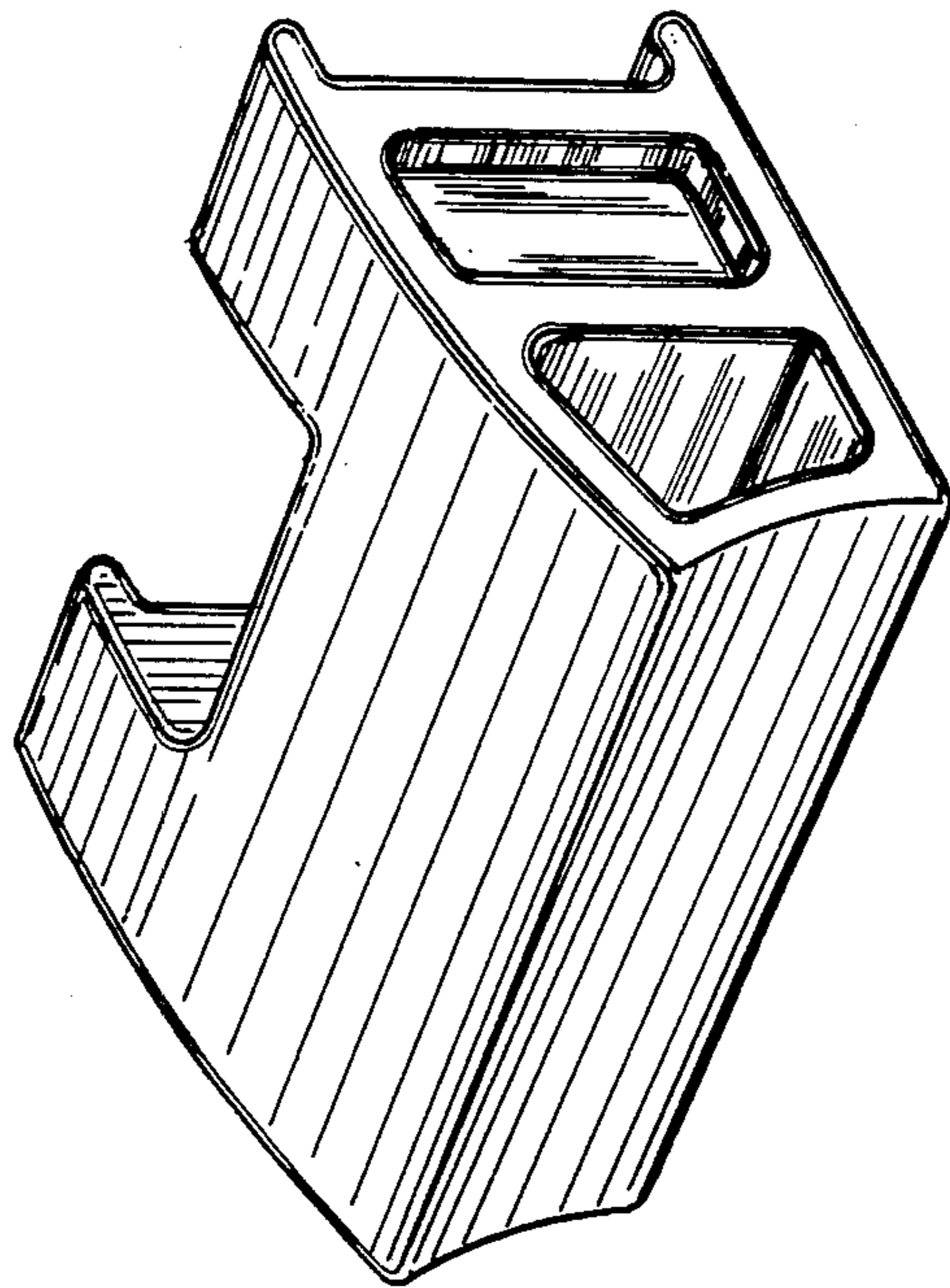


FIG. 4

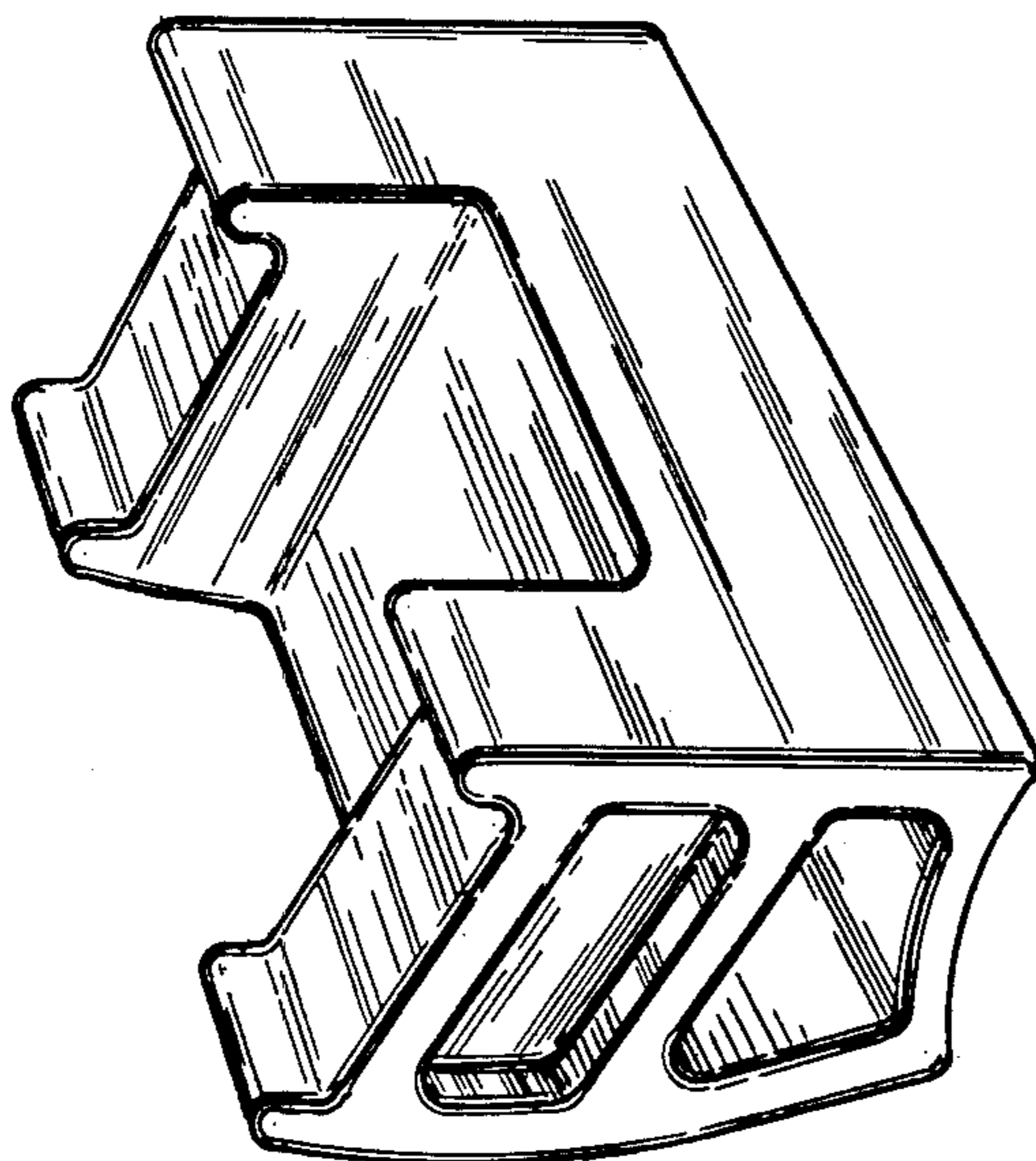


FIG. 3