

[54] COMBINED MOBILE BATTERY CHARGER AND CARRYING UNIT THEREFOR

[76] Inventor: Terry W. Kniss, 14430 18th S.W., Seattle, Wash. 98166

[**] Term: 14 Years

[21] Appl. No.: 739,421

[22] Filed: Nov. 8, 1976

[51] Int. Cl. D13-02

[52] U.S. Cl. D13/7

[58] Field of Search D13/7; 320/2

[56] References Cited

U.S. PATENT DOCUMENTS

D. 153,967	5/1949	Medlar	D13/7
D. 163,645	6/1951	Shuler et al.	D13/7
D. 184,960	4/1959	Raymond	D13/7
D. 231,238	4/1974	Hase	D13/7

OTHER PUBLICATIONS

J. C. Whitney & Co., ©1975, Cat. #345 B, p. 85, Professional Battery Charger, 300 amp booster.

Primary Examiner—Bernard Ansher
Attorney, Agent, or Firm—Orland M. Christensen

[57] CLAIM

The ornamental design for a combined mobile battery charger and carrying unit therefor, as shown.

DESCRIPTION

FIG. 1 is a front isometric view of a combined mobile battery charger and carrying unit therefor showing my new design;

FIG. 2 is a rear perspective view thereof;

FIG. 3 is a top plan view thereof;

FIG. 4 is a bottom plan view thereof;

FIG. 5 is a front elevation thereof;

FIG. 6 is a side elevation thereof; and

FIG. 7 is a rear elevation thereof.

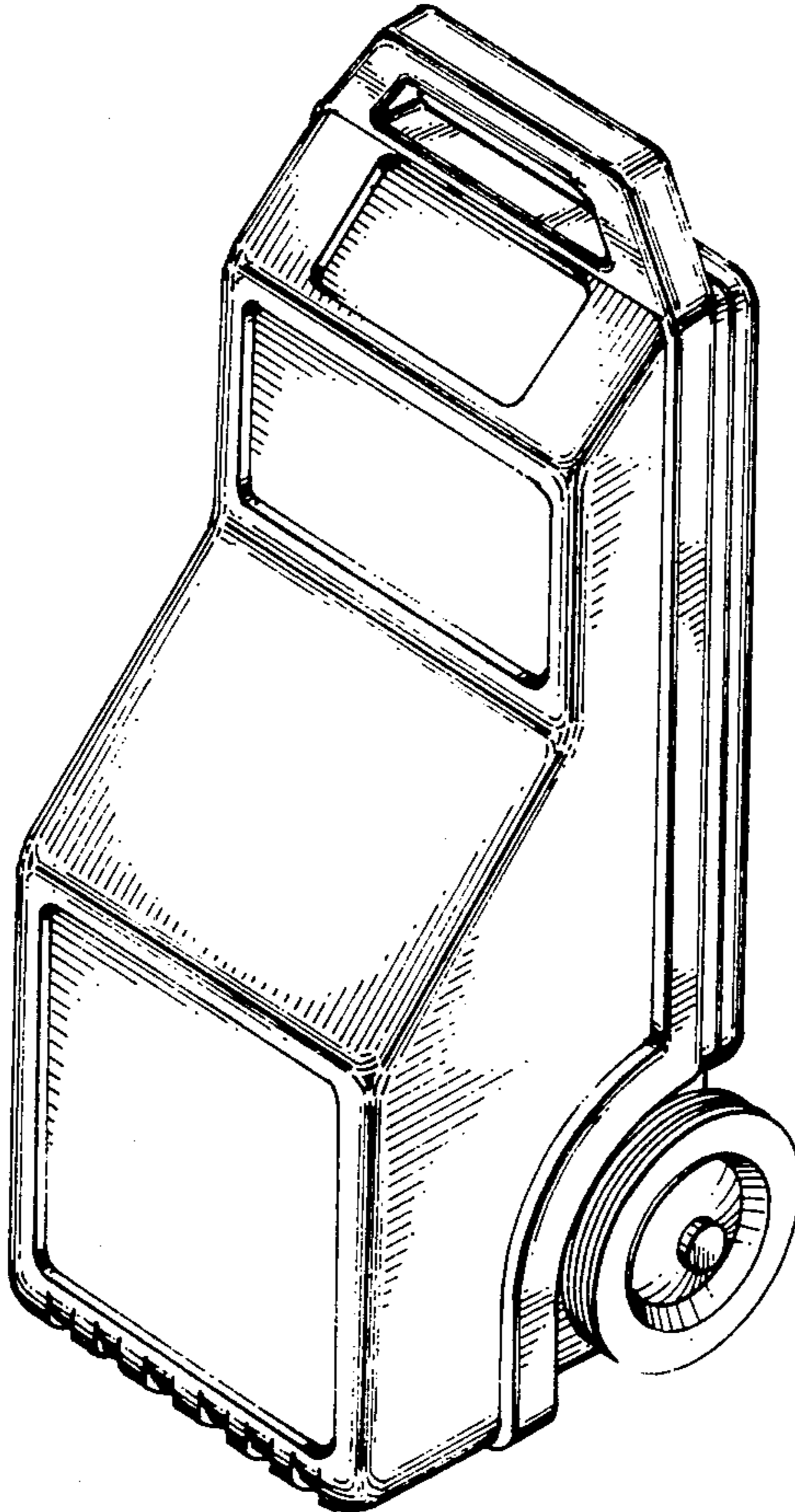


Fig. 1

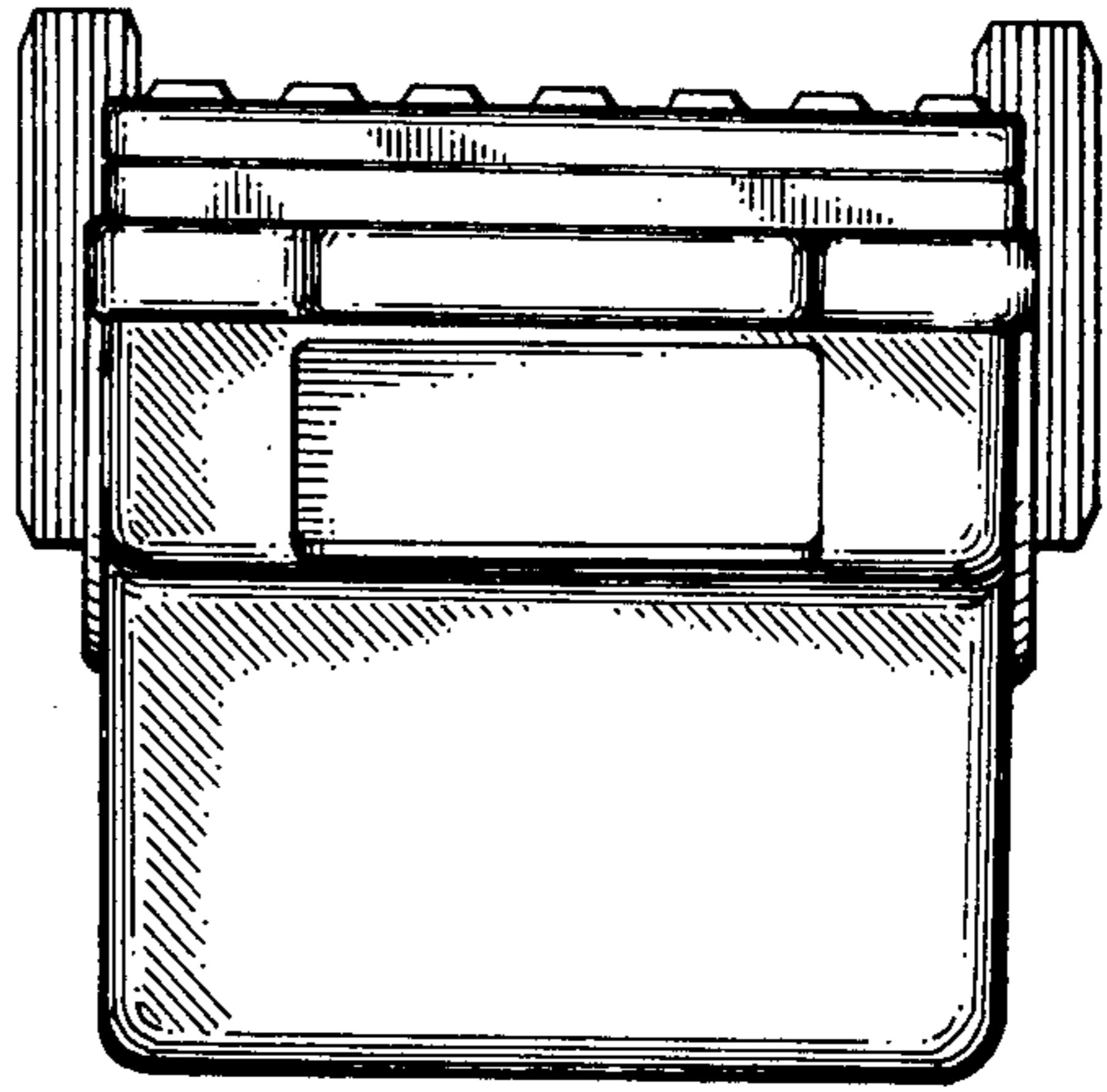
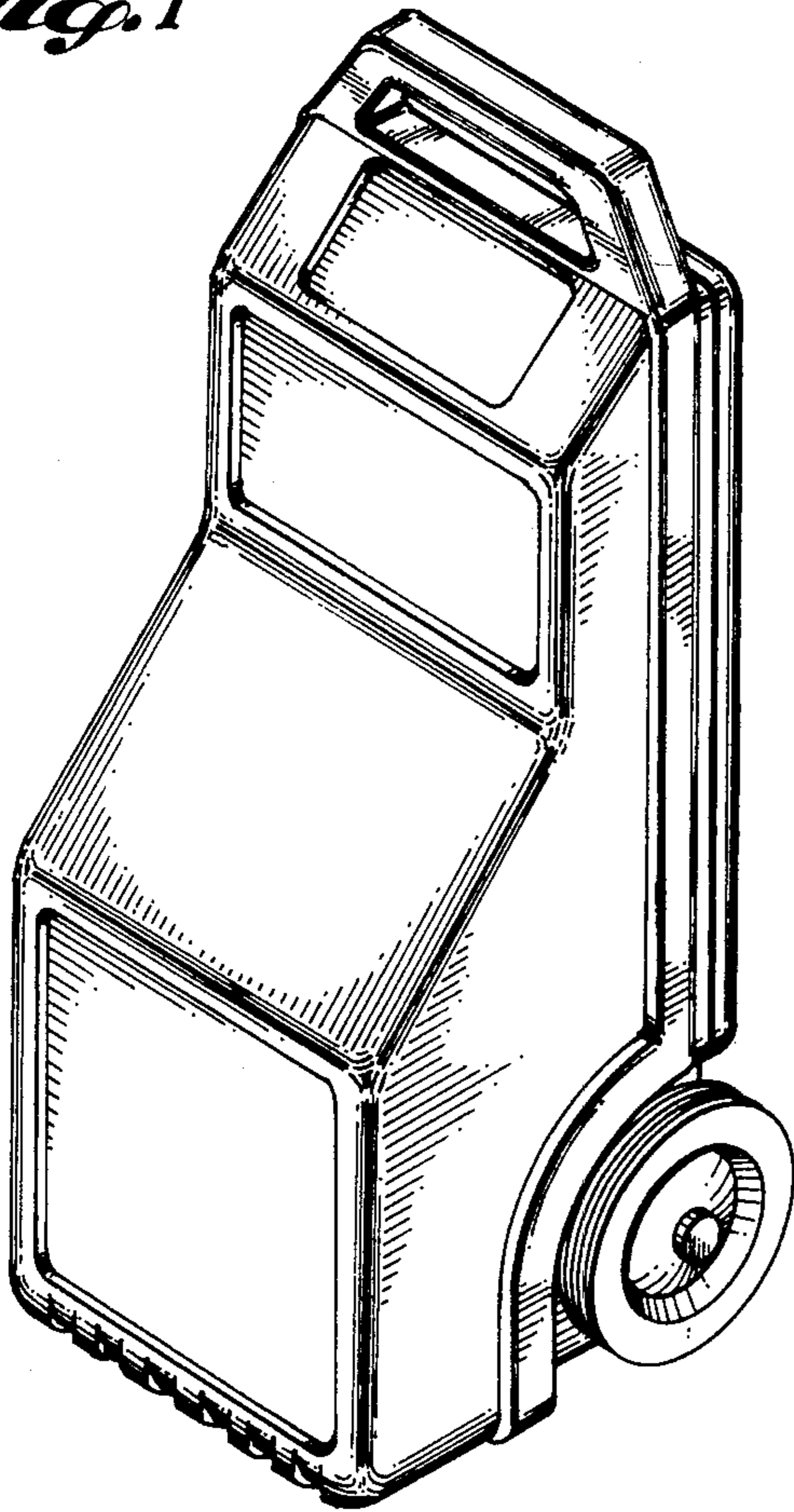


Fig. 3

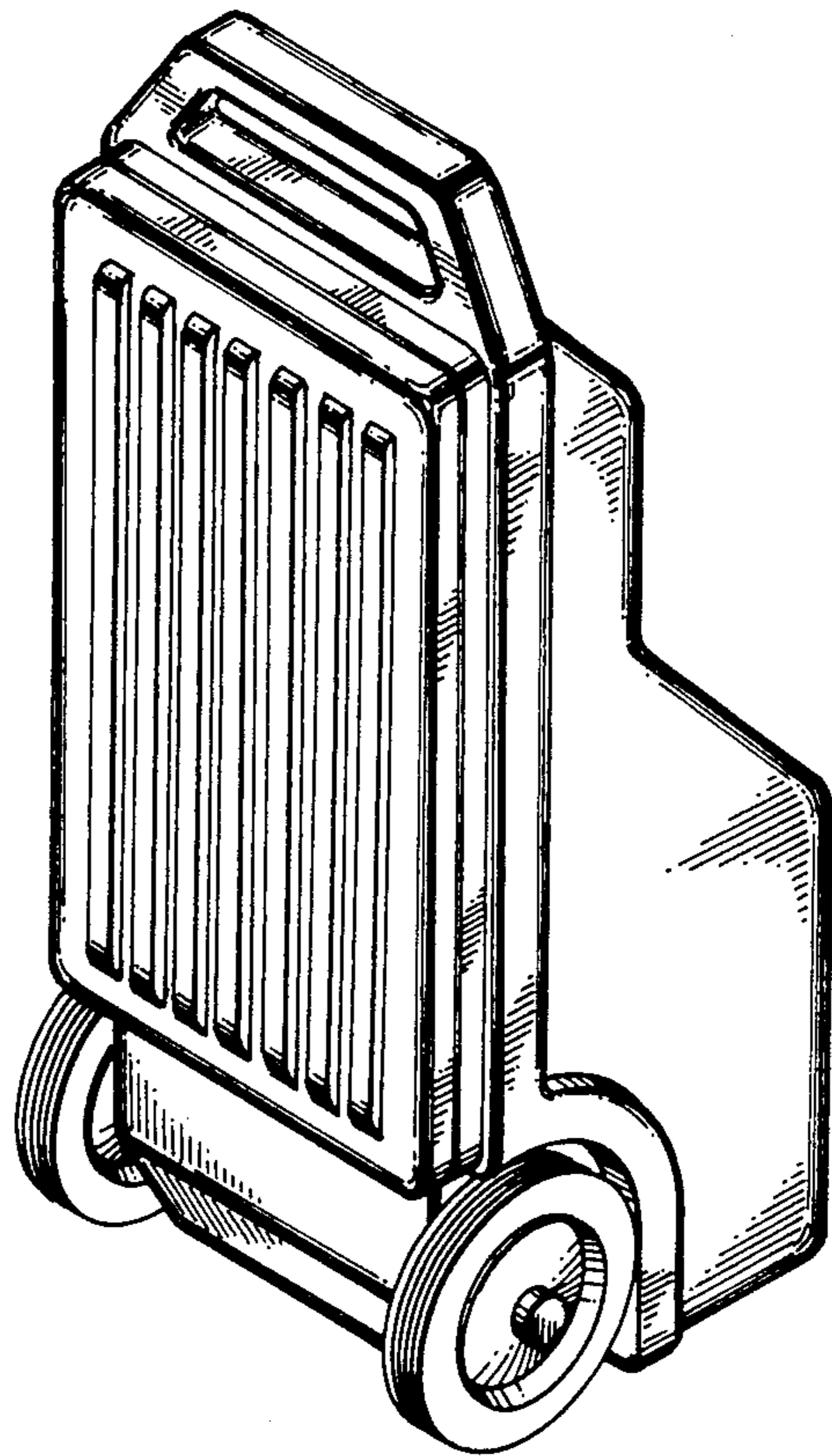


Fig. 2

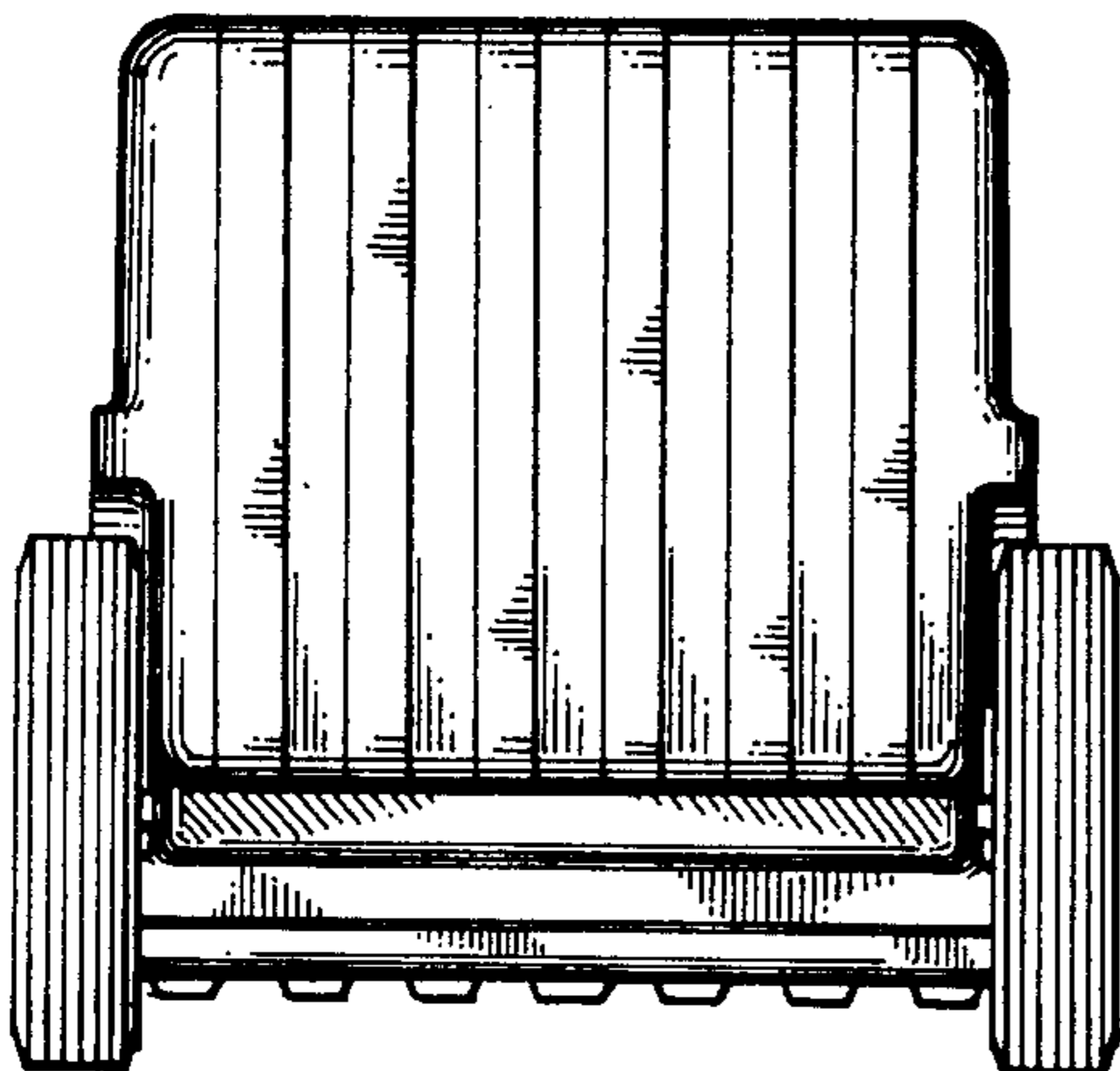


Fig. 4

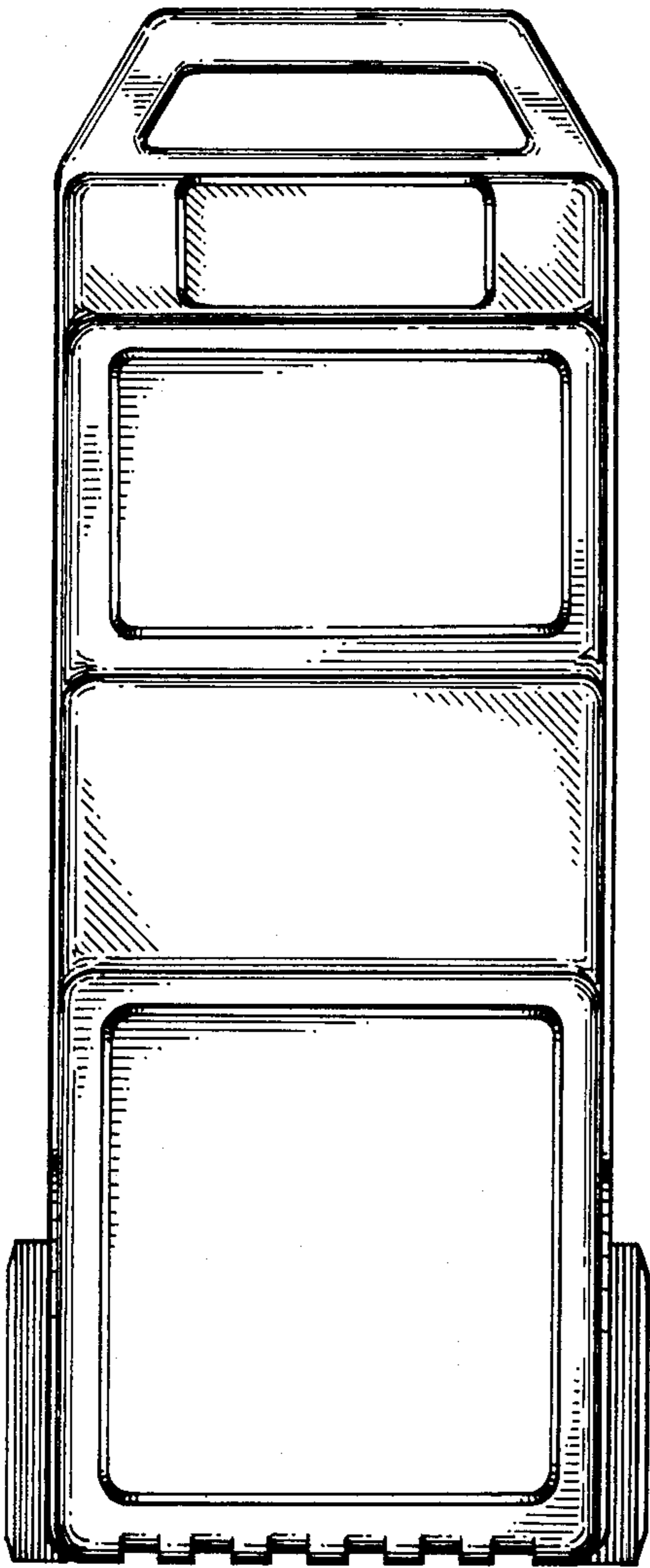


Fig. 5

Fig. 7

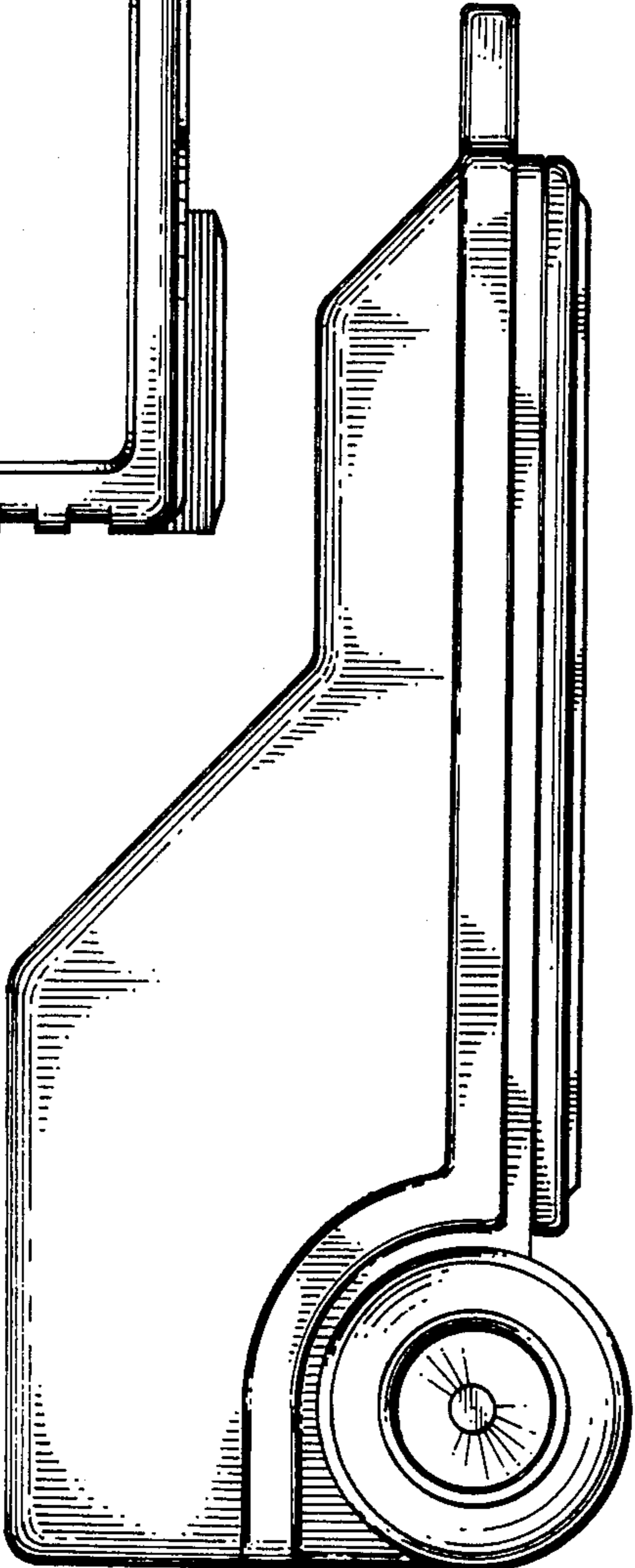
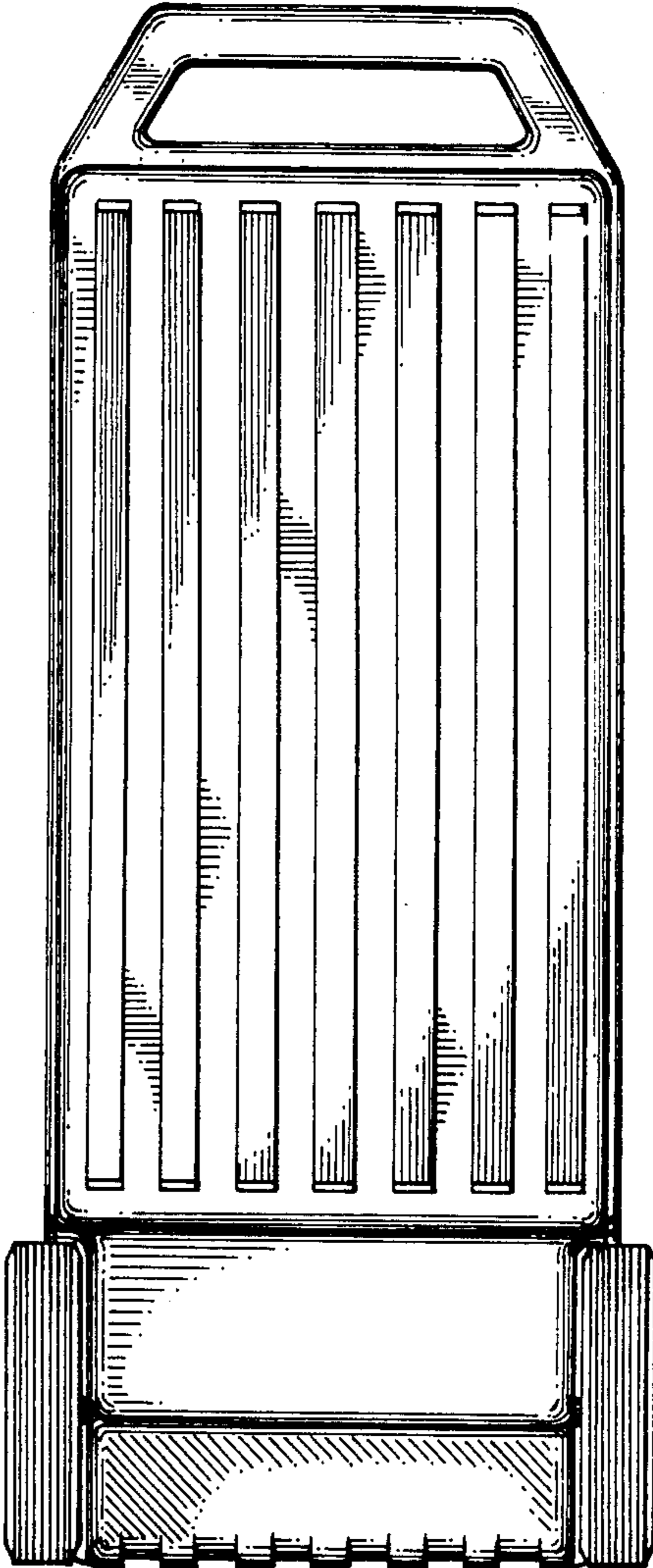


Fig. 6