

[54] VEHICLE WINDOW FRAME

[75] Inventors: Karl Ingvar Carlsson; Sven Torsten Åkesson, both of Tidaholm, Sweden

[73] Assignee: AB Bofors, Bofors, Sweden

[**] Term: 14 Years

[21] Appl. No.: 729,313

[22] Filed: Oct. 4, 1976

[30] Foreign Application Priority Data

Apr. 5, 1976 [SE] Sweden 760768

[51] Int. Cl. D12-16; D25-02

[52] U.S. Cl. D12/183; D25/52; D25/79

[58] Field of Search D25/52; D12/183; 296/145-147, 155; 49/504; 52/656, 204

[56] References Cited

U.S. PATENT DOCUMENTS

2,978,995 4/1961 Dean 52/204
3,289,377 12/1966 Hetman 52/656

Primary Examiner—Wallace R. Burke
Assistant Examiner—James M. Gandy
Attorney, Agent, or Firm—George Vande Sande

[57] CLAIM

The ornamental design for a vehicle window frame, as shown.

DESCRIPTION

FIG. 1 is a front perspective view of a vehicle window frame showing our new design; FIG. 2 is a front perspective view thereof showing the end and side opposite to those in FIG. 1; and FIG. 3 is a rear perspective view thereof, it being understood that the side and end opposite to those shown herein are substantially identical thereto.

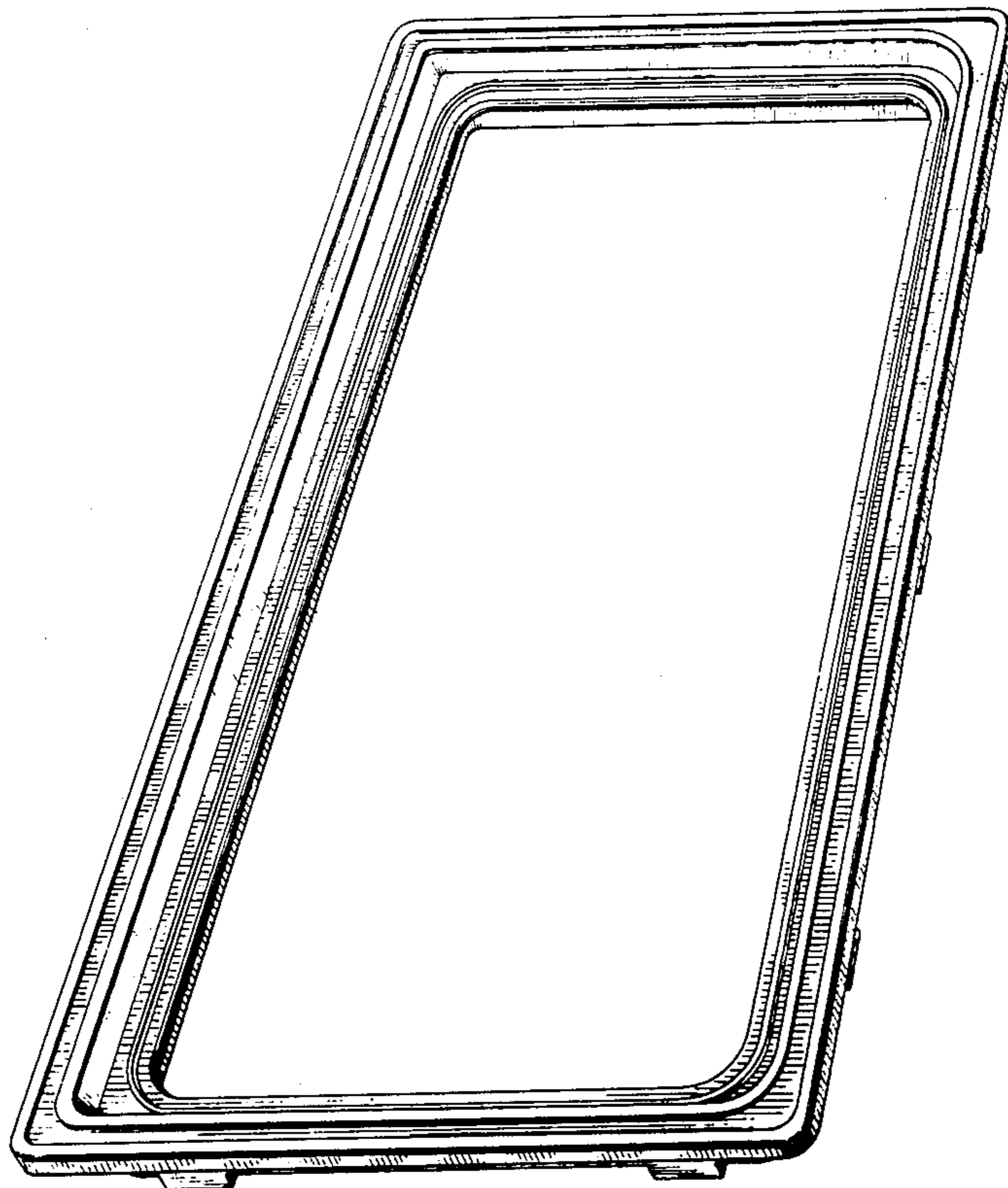


FIG. 1

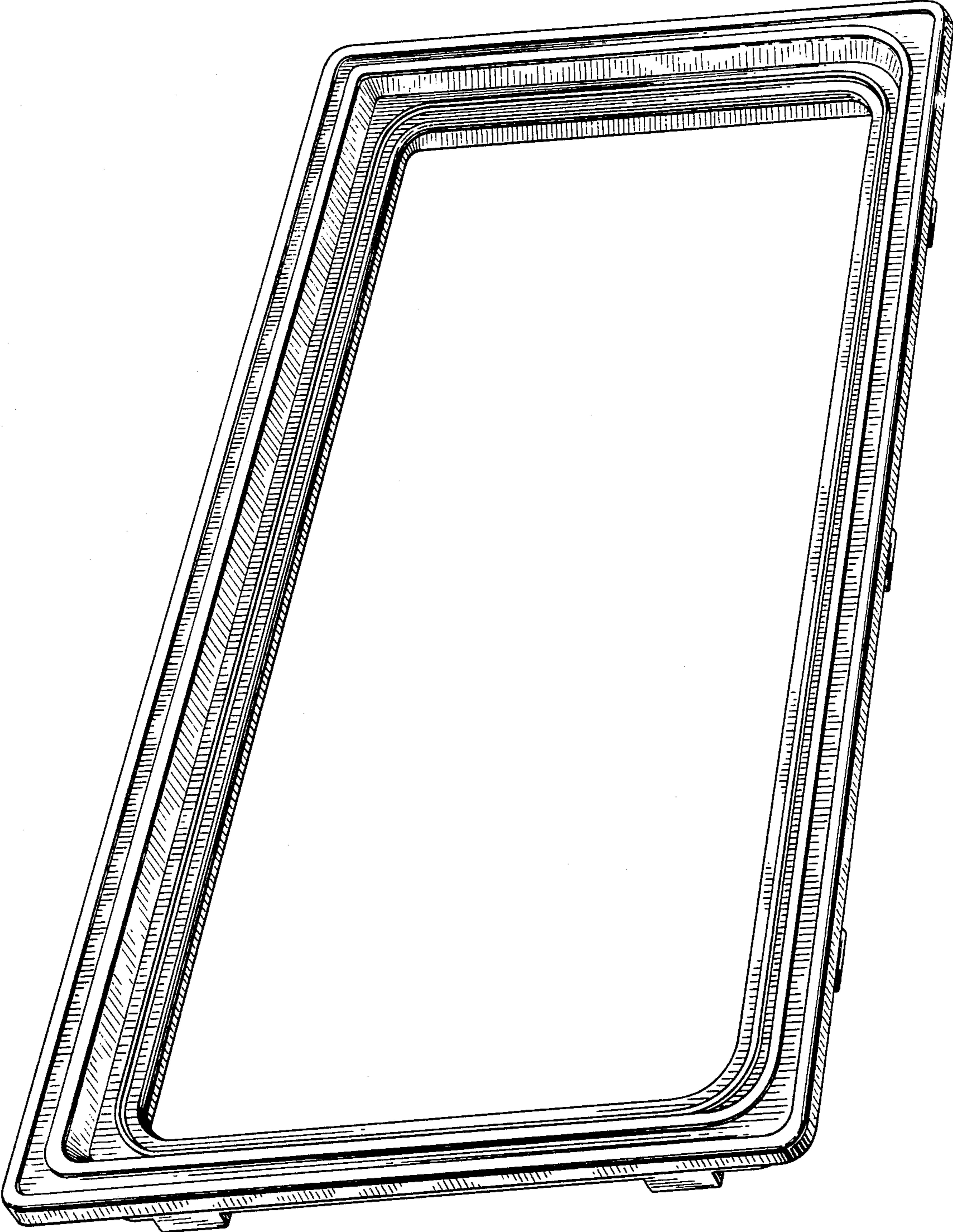


FIG. 2

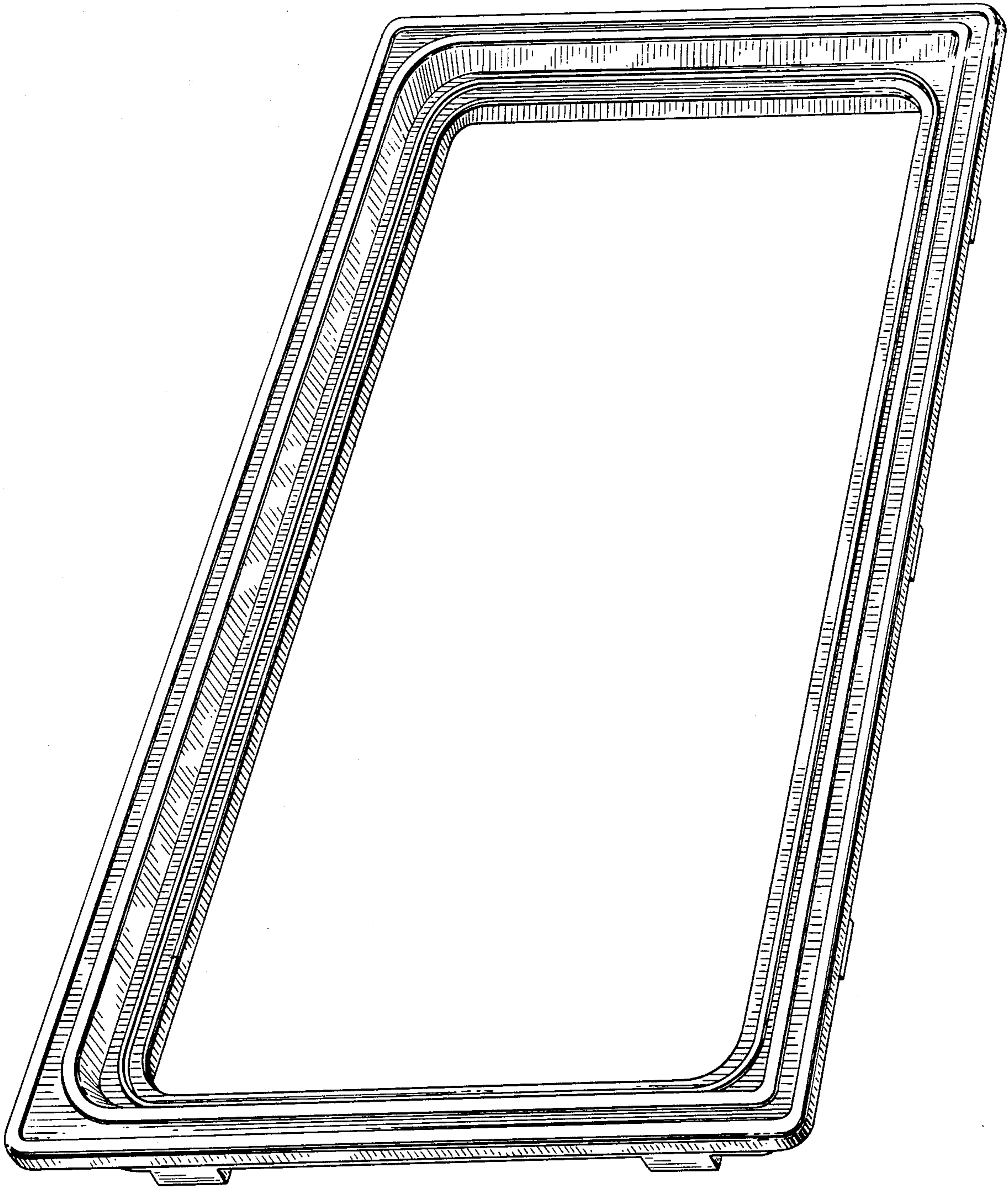


FIG. 3

