

[54] **CART FOR TRANSPORTING COLLAPSIBLE TABLES**

[76] Inventor: **Henry D. Figuroa**, 1011 Magnolia Ave., Yuma, Ariz. 85364

[**] Term: **14 Years**

[21] Appl. No.: **789,951**

[22] Filed: **Apr. 22, 1977**

[51] Int. Cl. **D12-02**

[52] U.S. Cl. **D12/26**

[58] Field of Search D12/26, 21, 25; 280/47.18, 47.19, 47.27, 47.28, 62, 79.1, 79.3

[56] **References Cited**

U.S. PATENT DOCUMENTS

2,466,146	4/1949	Burg	280/47.28
2,514,308	7/1950	Burg	280/47.18
3,731,947	5/1973	Fontaine	D12/26

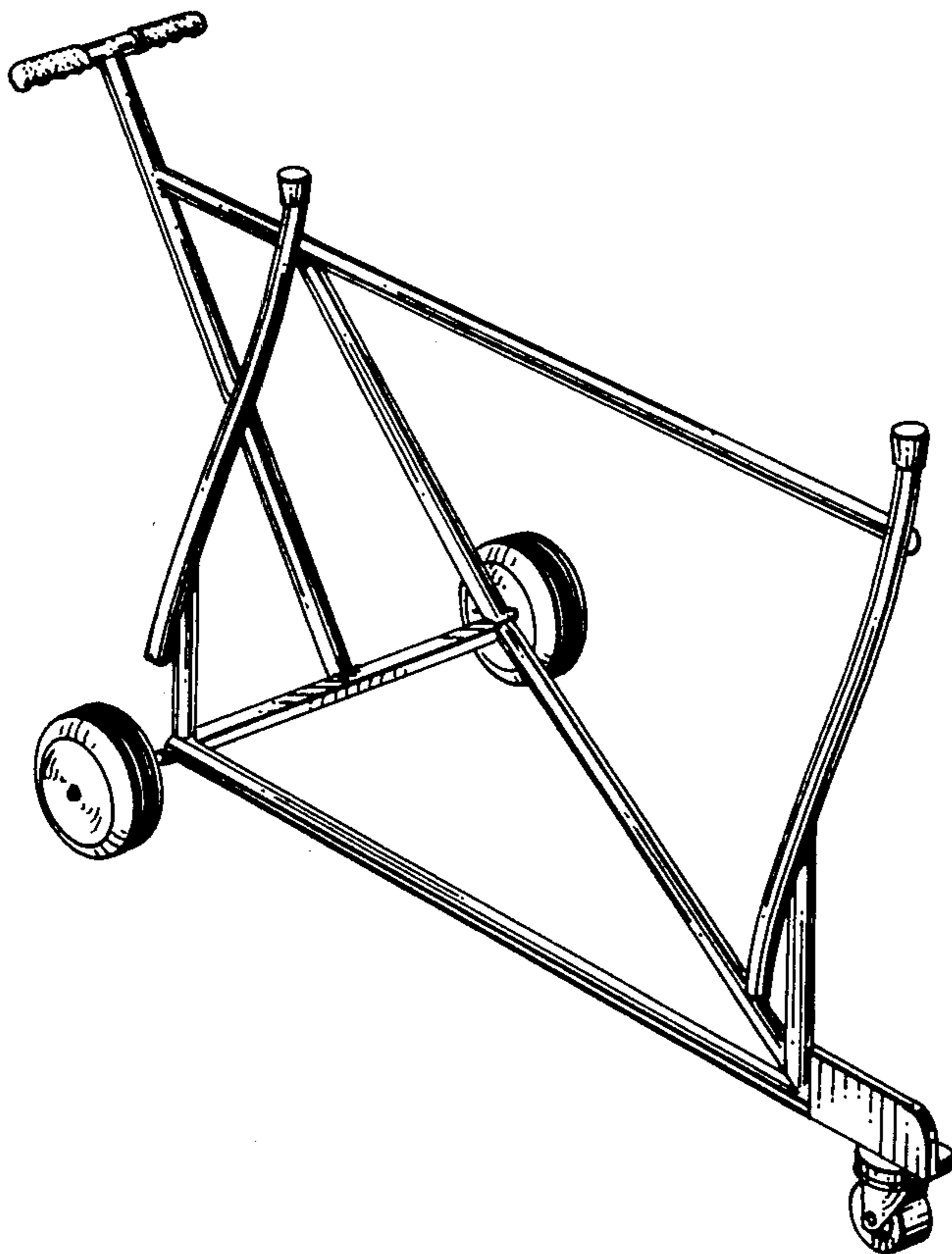
Primary Examiner—Wallace R. Burke
Assistant Examiner—James M. Gandy
Attorney, Agent, or Firm—William C. Cahill

[57] **CLAIM**

The ornamental design for a cart for transporting collapsible tables, as shown and described.

DESCRIPTION

FIG. 1 is a perspective view of a cart for transporting collapsible tables showing my new design; FIG. 2 is a side elevational view thereof particularly illustrating the manner in which a collapsible table is carried by the cart; FIG. 3 is a perspective view thereof on a reduced scale, illustrating the manner in which a collapsible table is loaded or unloaded from the cart; and FIG. 4 is a top plan view thereof. The broken line disclosure is for illustrative purposes only and forms no part of the claimed design.



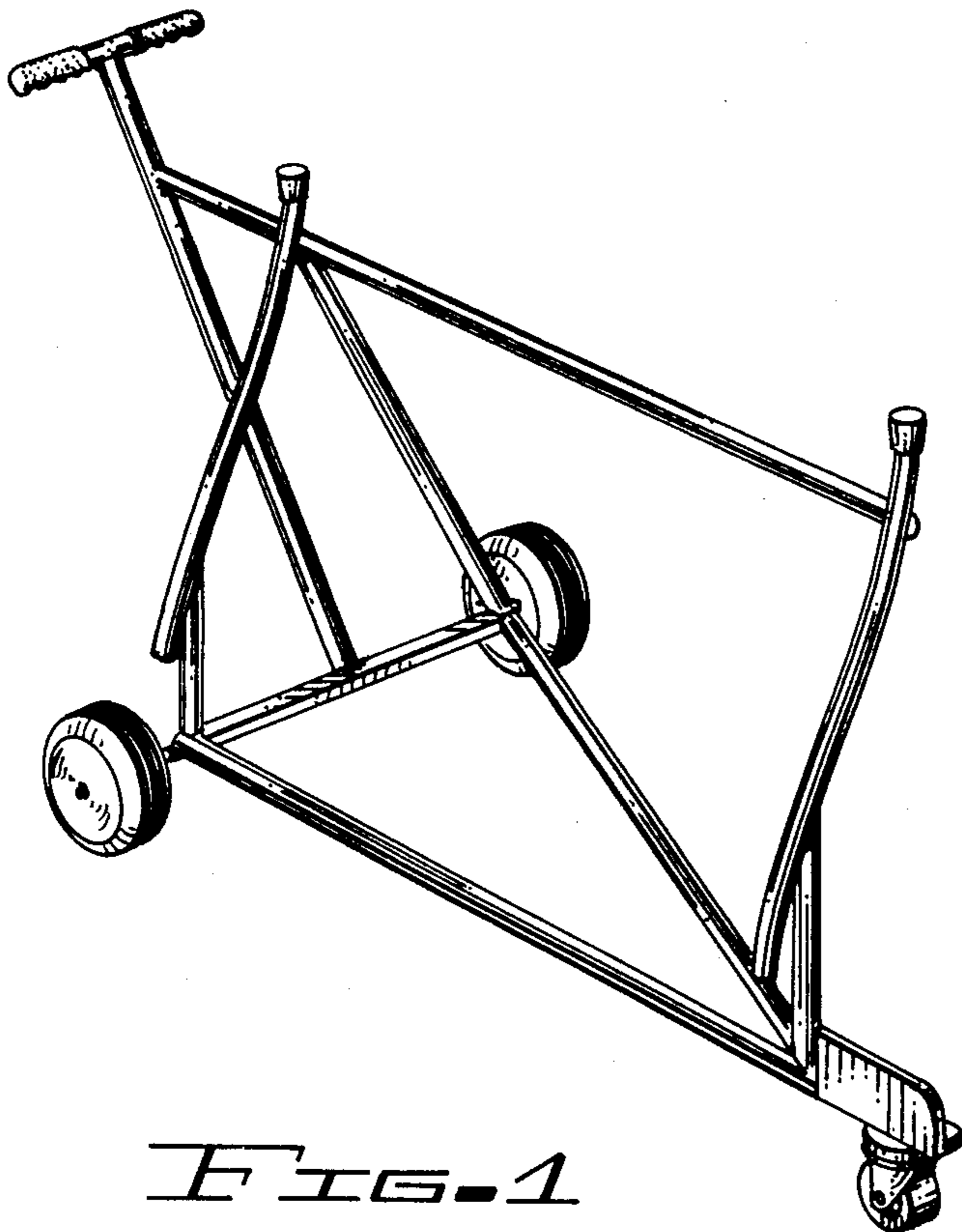


FIG. 1

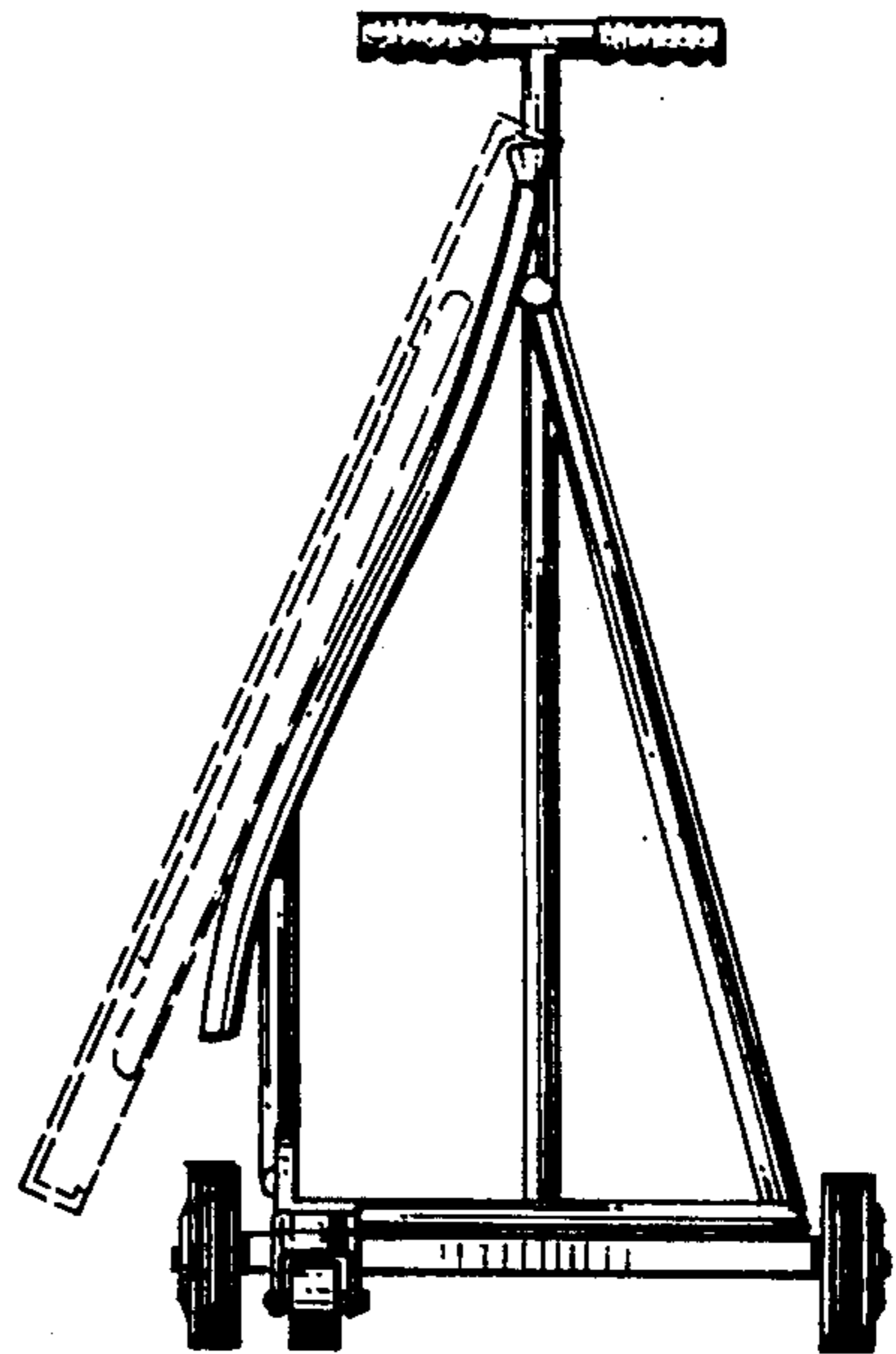


FIG. 2

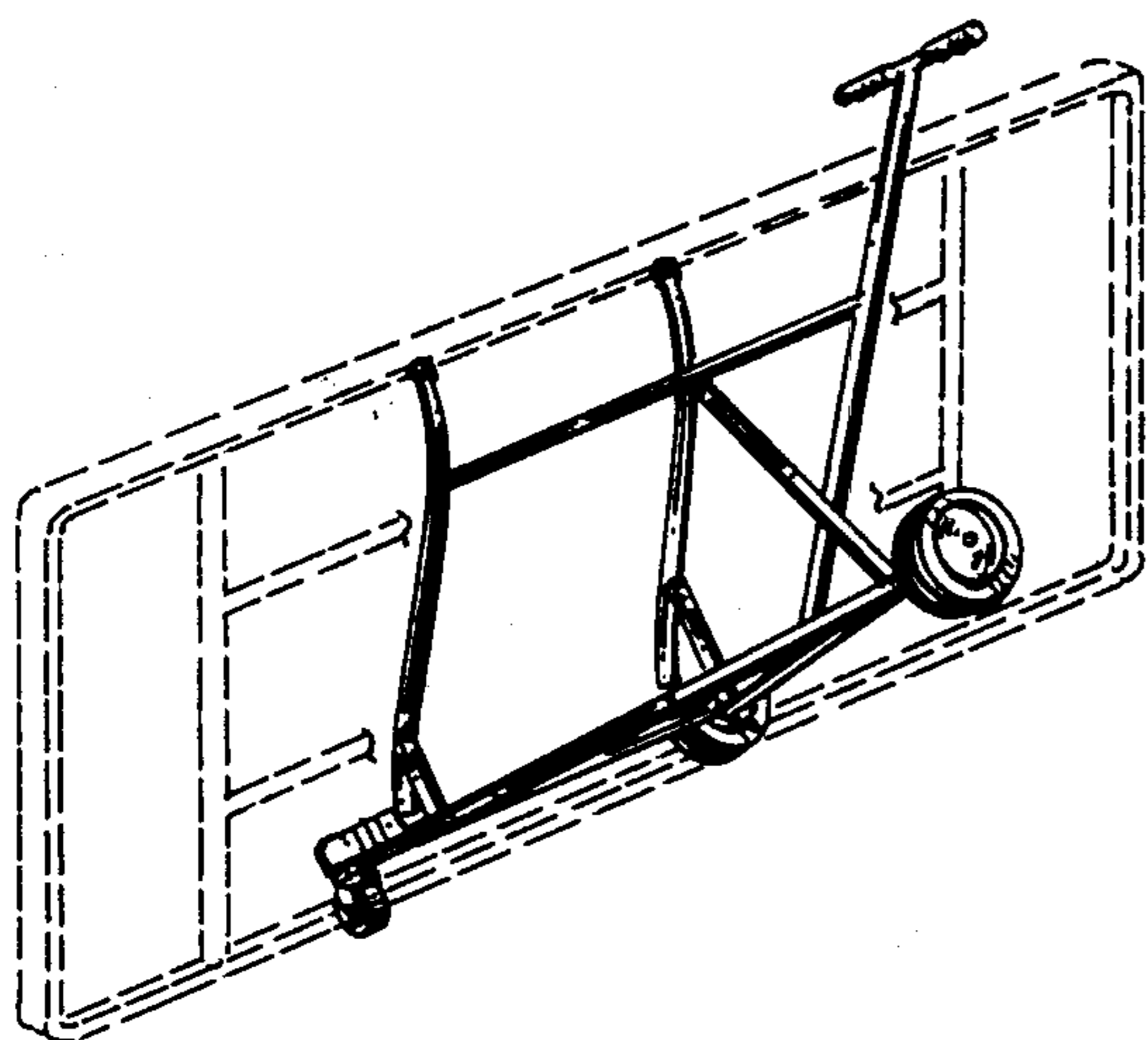


FIG. 3

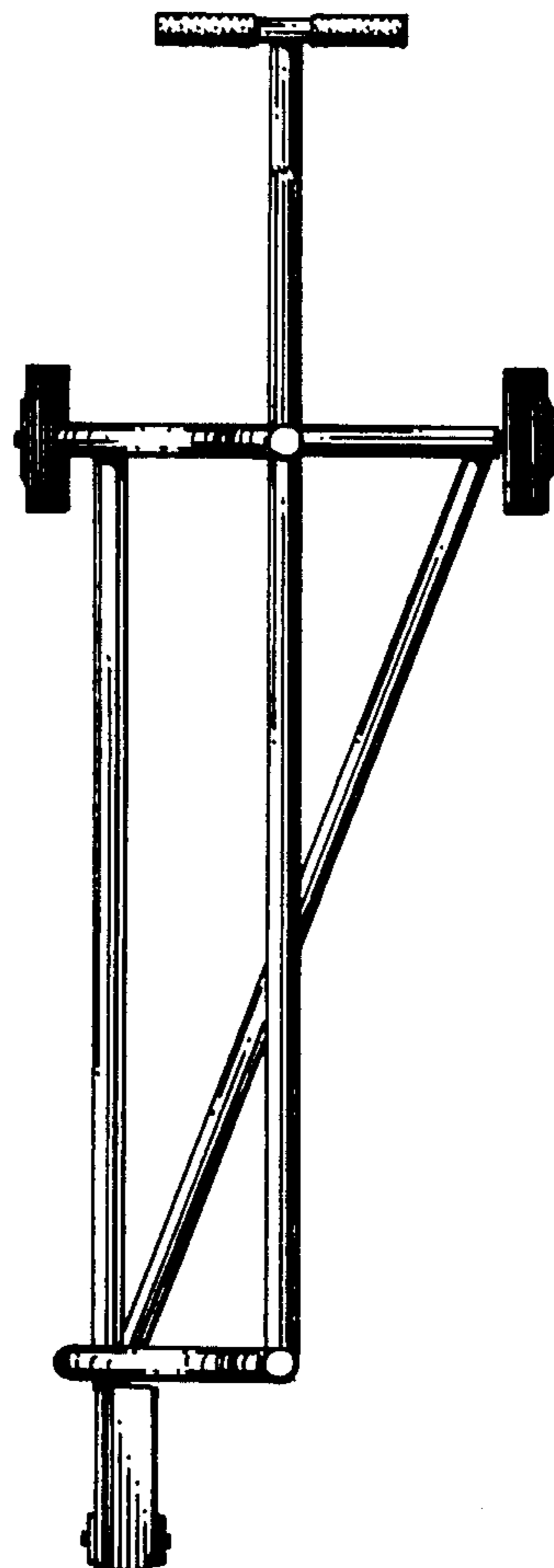


FIG. 4