

[54] WATT METER HOUSING

[75] Inventor: Jackson Connolly, Fremont, Calif.
[73] Assignee: Watt Watchers, Inc., Lafayette, Calif.
[**] Term: 3 Years
[21] Appl. No.: 699,517
[22] Filed: Jun. 24, 1976
[51] Int. Cl. D10-04
[52] U.S. Cl. D10/102; D10/75
[58] Field of Search D10/75, 78, 80, 46;
324/156, 115, 72.5, 73 R

[56] References Cited

U.S. PATENT DOCUMENTS

D. 139,694 12/1944 Oelrich D10/102
D. 181,743 12/1957 Molloy D10/102
D. 223,001 2/1972 Bonanno D10/75

D. 242,232 11/1976 Martin D10/75

OTHER PUBLICATIONS

Popular Science, 3/76, p. 152, "Power Meter" at top.

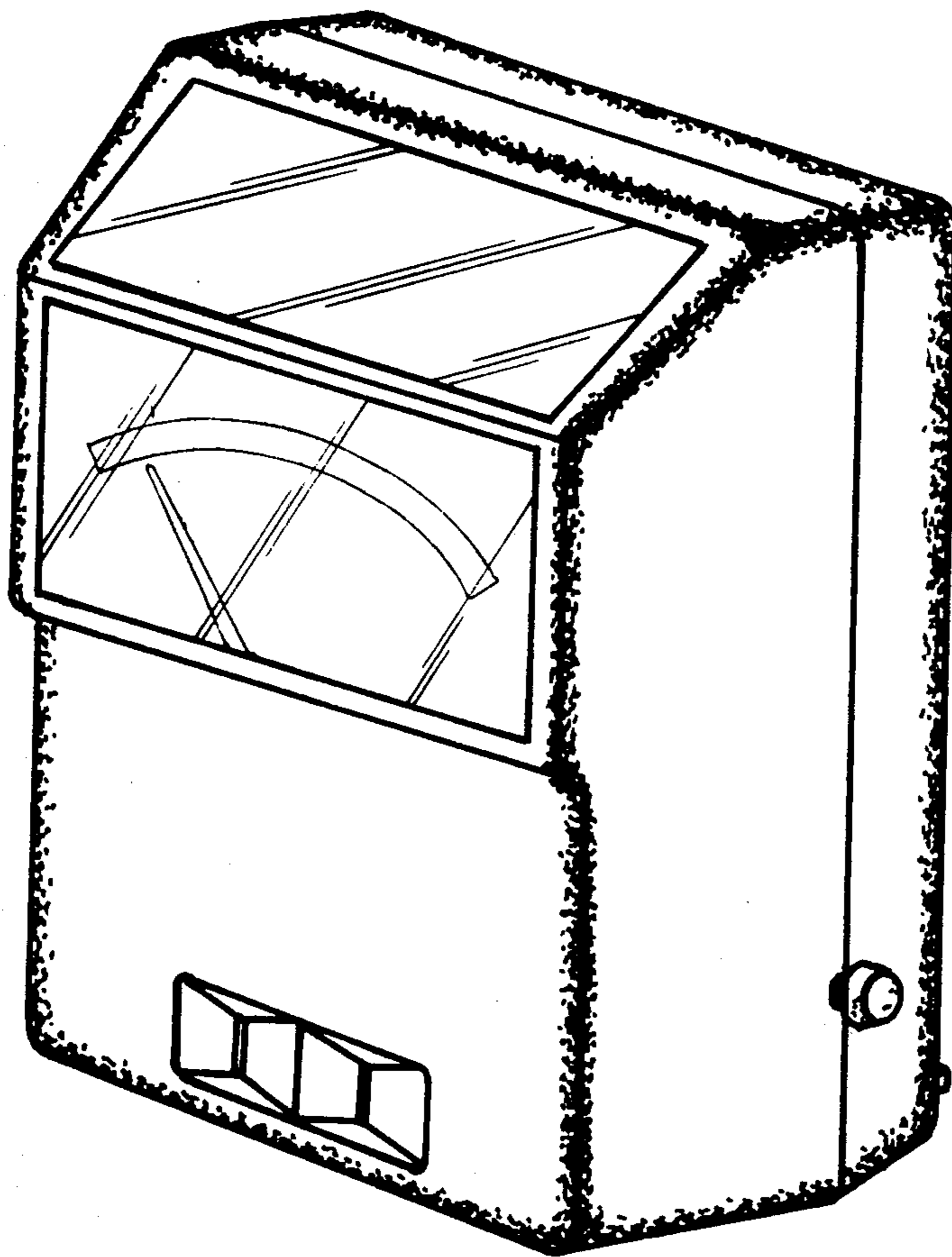
Primary Examiner—Nelson C. Holtje
Attorney, Agent, or Firm—Harris Zimmerman

[57] CLAIM

The ornamental design for a watt meter housing, substantially as shown.

DESCRIPTION

FIG. 1 is a front perspective view of a watt meter housing showing my new design.
FIG. 2 is a front elevational view thereof;
FIG. 3 is one side elevational view thereof;
FIG. 4 is the other side elevational view thereof;
FIG. 5 is a top plan view;
FIG. 6 is a bottom plan view; and
FIG. 7 is a rear elevational view.



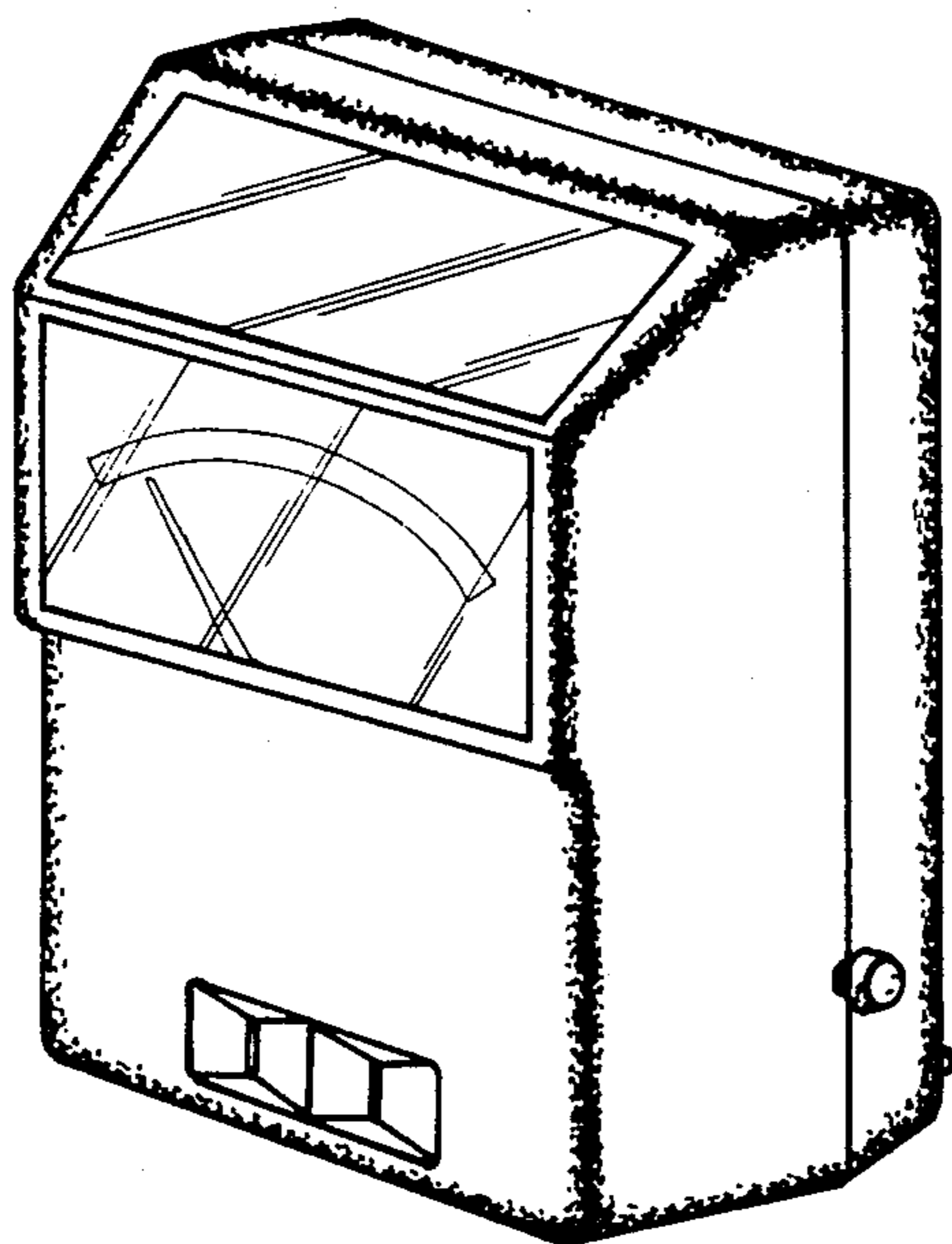


FIG _ 1

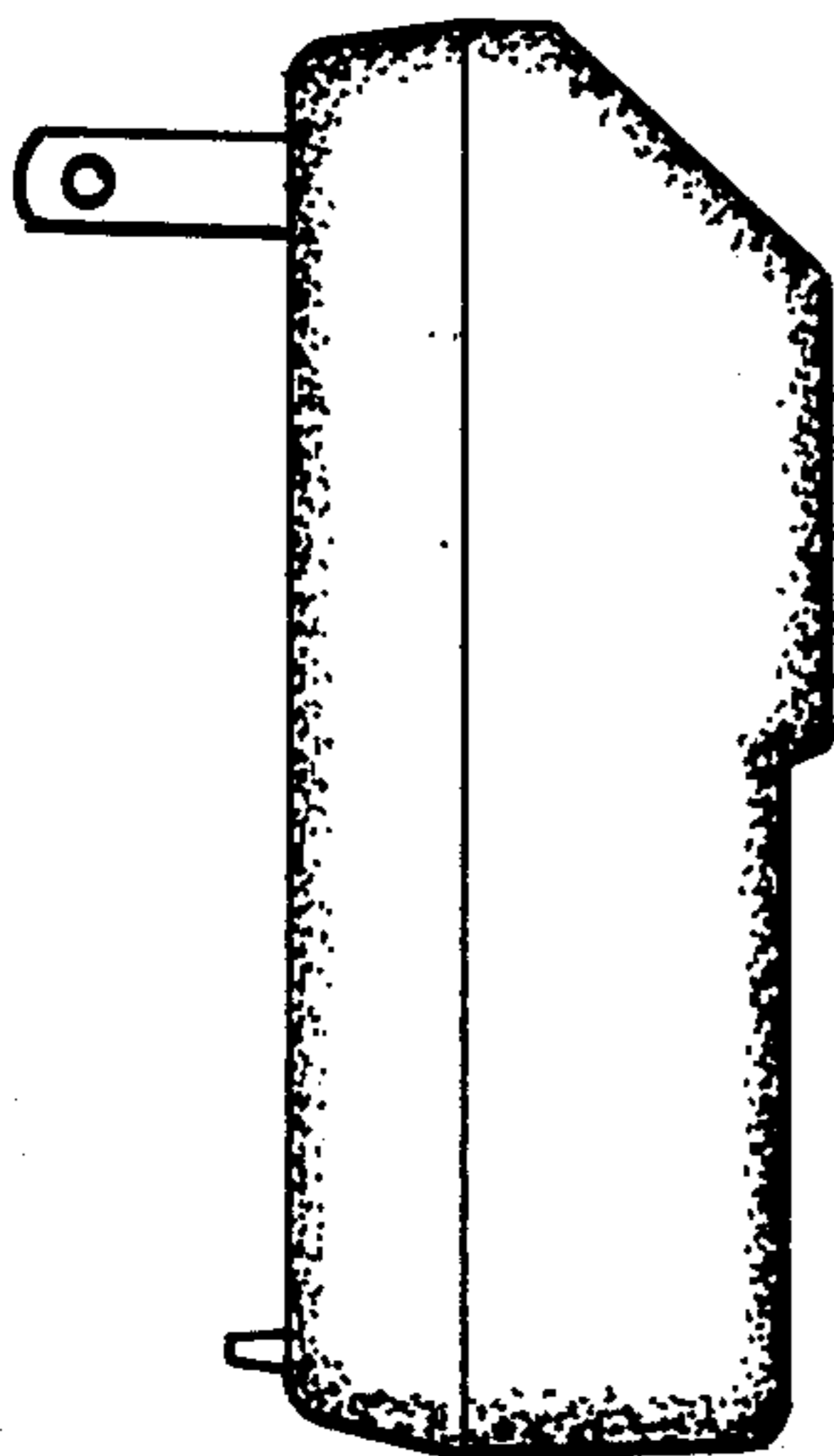


FIG _ 3

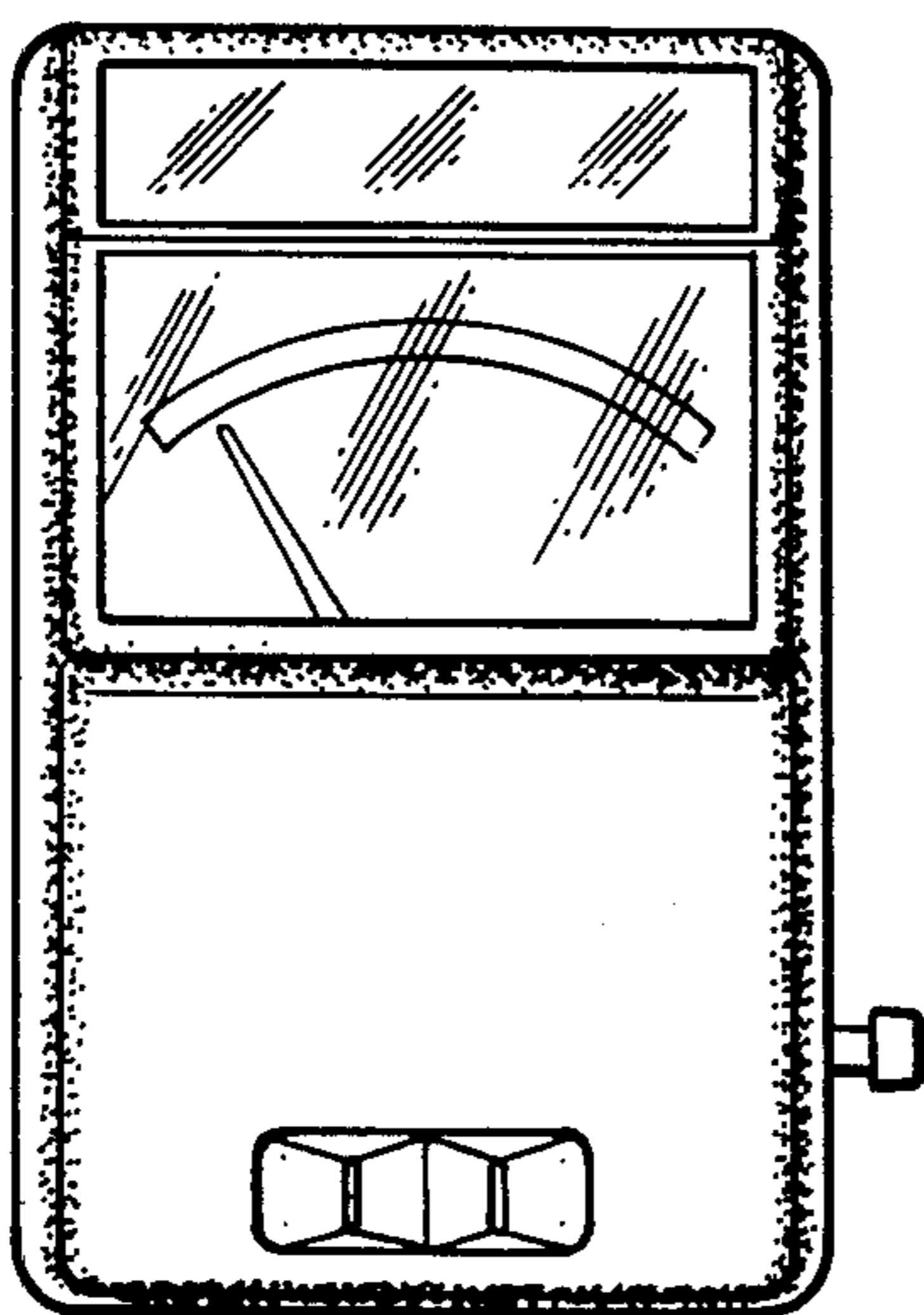


FIG _ 2

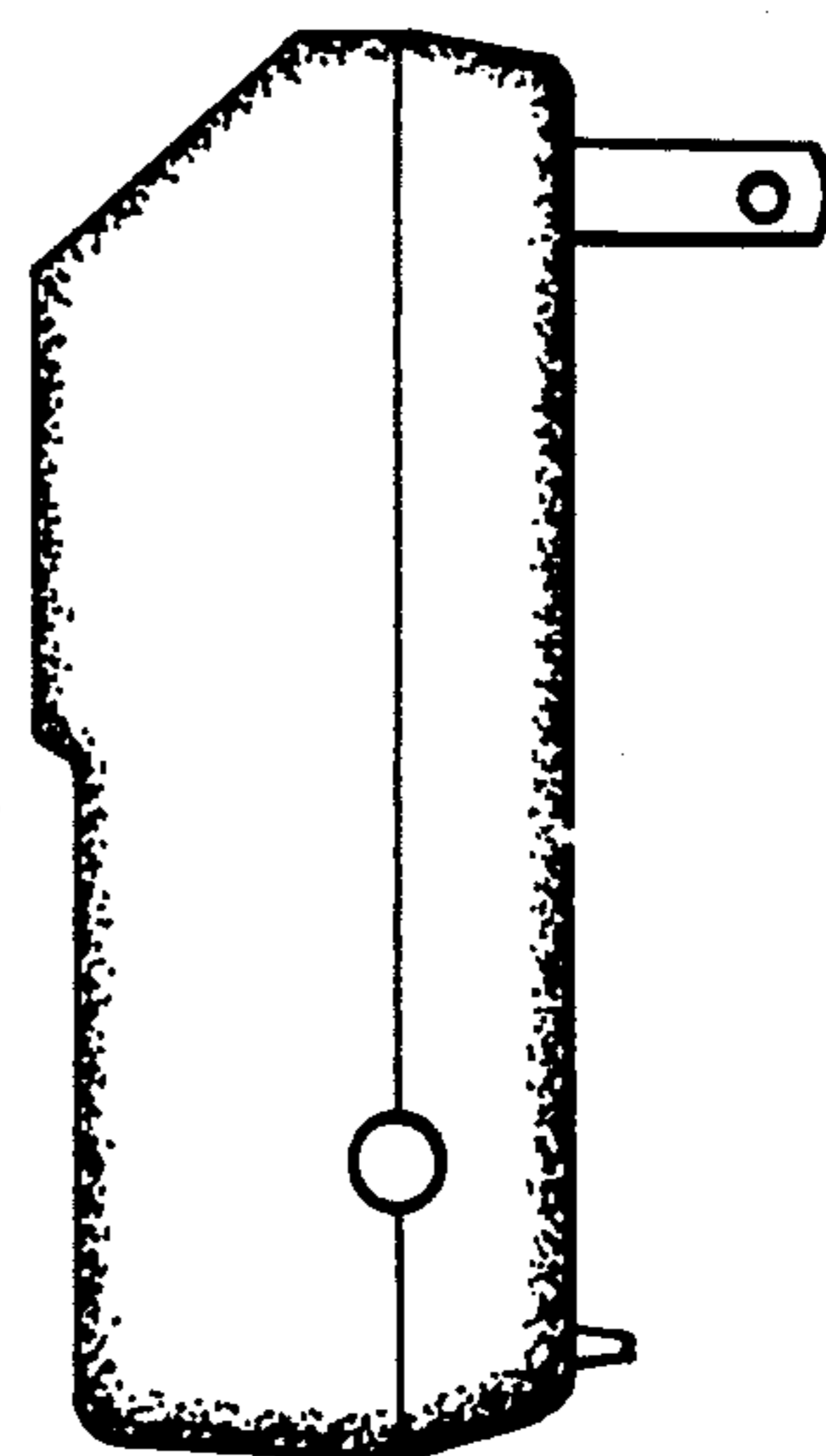


FIG _ 4

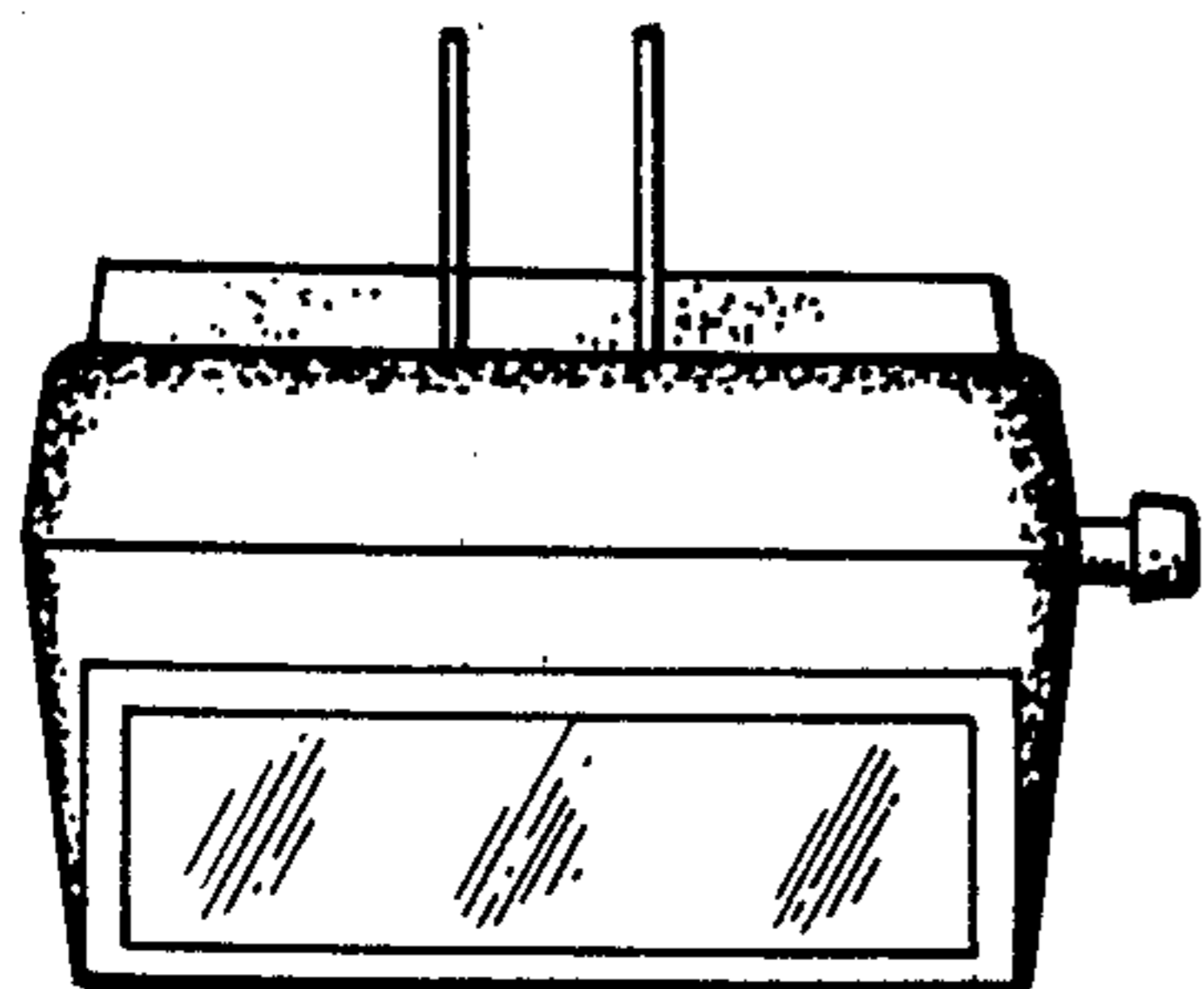


FIG _ 5

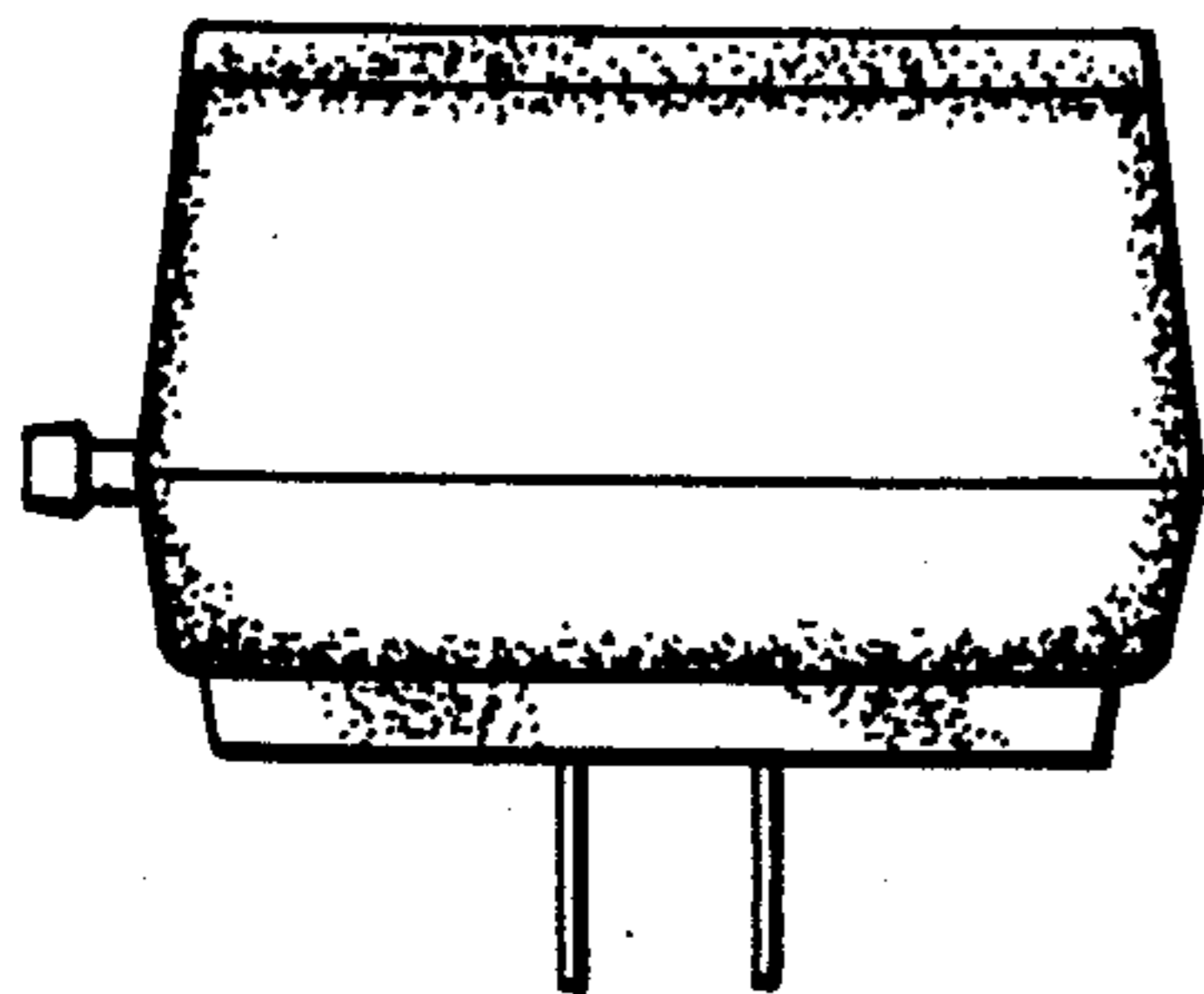


FIG _ 6

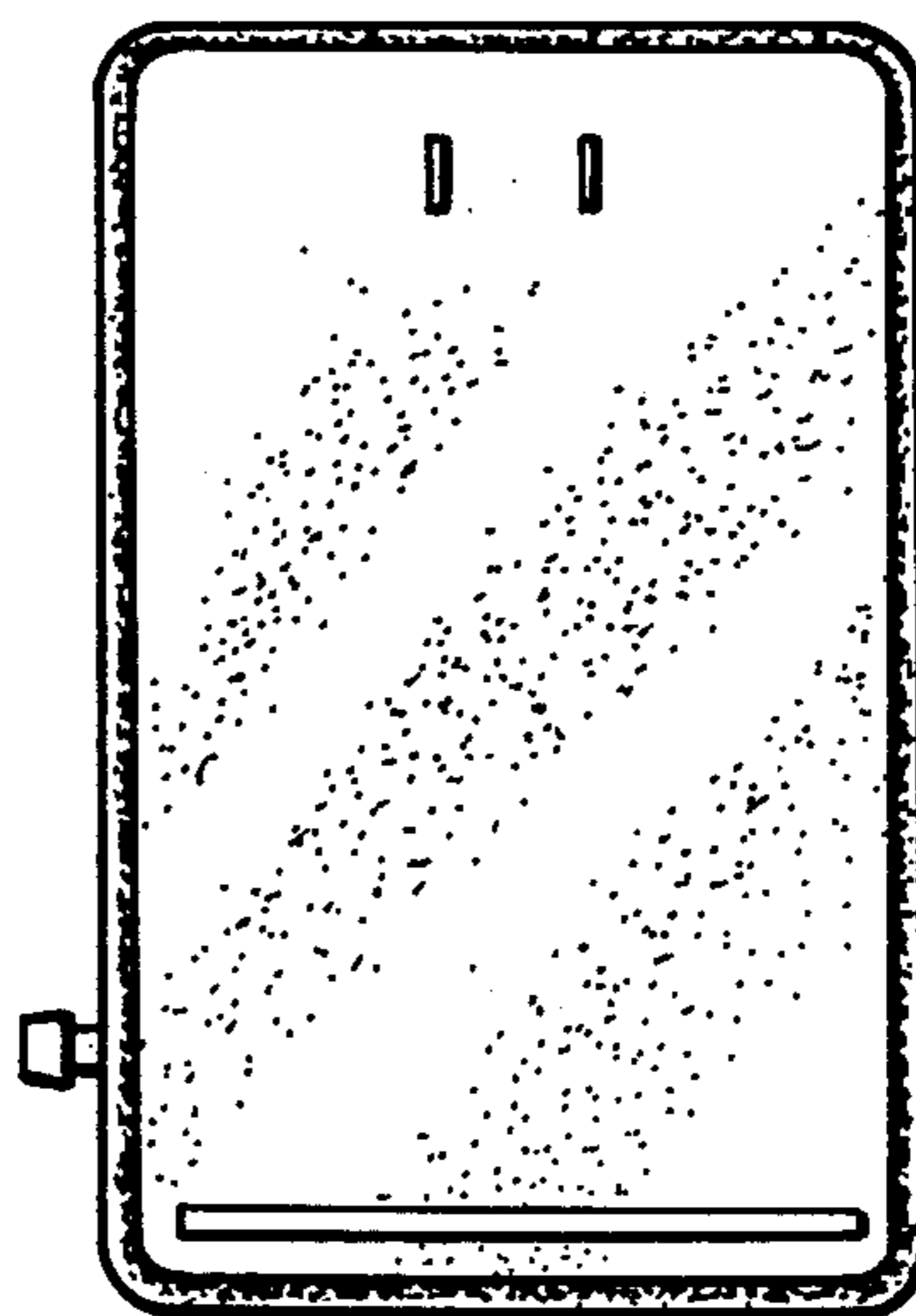


FIG _ 7