

[54] **HANDLE FOR FURNITURE DOORS,
DRAWERS OR THE LIKE**

[75] Inventor: **Roland Spellier, Lemgo, Fed. Rep. of
Germany**

[73] Assignee: **Firma Richard Heinze GmbH & Co.
KG, Fed. Rep. of Germany**

[**] Term: **14 Years**

[21] Appl. No.: **653,855**

[22] Filed: **Jan. 30, 1976**

[30] **Foreign Application Priority Data**
 Aug. 1, 1975 [DE] Fed. Rep. of Germany 6 AR
 138/75

[51] Int. Cl. **D8-06**
 [52] U.S. Cl. **D8/313; D8/316**
 [58] Field of Search **D8/165, 300, 310, 311,
 D8/313, 315, 316; 16/110 R, 121; 40/325**

[56] **References Cited**

U.S. PATENT DOCUMENTS

D. 169,532	5/1953	Deadrick	D8/165
D. 192,958	6/1962	Benson	D8/316
D. 200,962	4/1965	McCarthy	D8/165 X
243,374	6/1881	Howard	16/121
1,304,700	5/1919	Otte	40/325
2,157,251	5/1939	Tinnerman	16/121
2,723,073	11/1955	Fellowes	16/110 R

Primary Examiner—Wallace R. Burke
Assistant Examiner—B. J. Bullock
Attorney, Agent, or Firm—George Vande Sande

[57] **CLAIM**
 The ornamental design for a handle for furniture doors
 drawers or the like, as shown and described.

DESCRIPTION
 FIG. 1 is a perspective view of a handle for furniture
 doors, drawers or the like showing my new design.
 FIG. 2 is a sectional view taken on line 2—2 of FIG. 1.

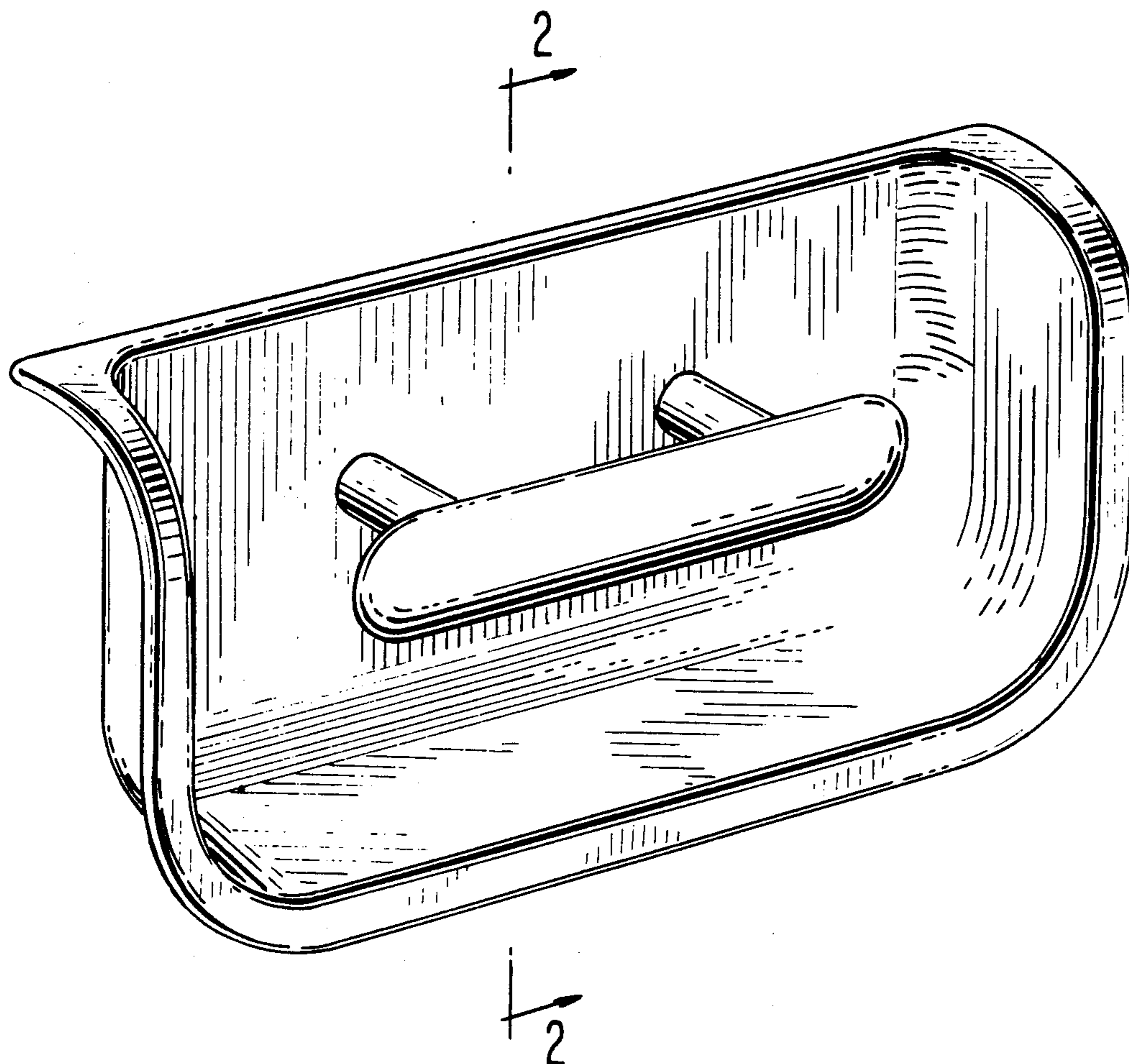


FIG. 1

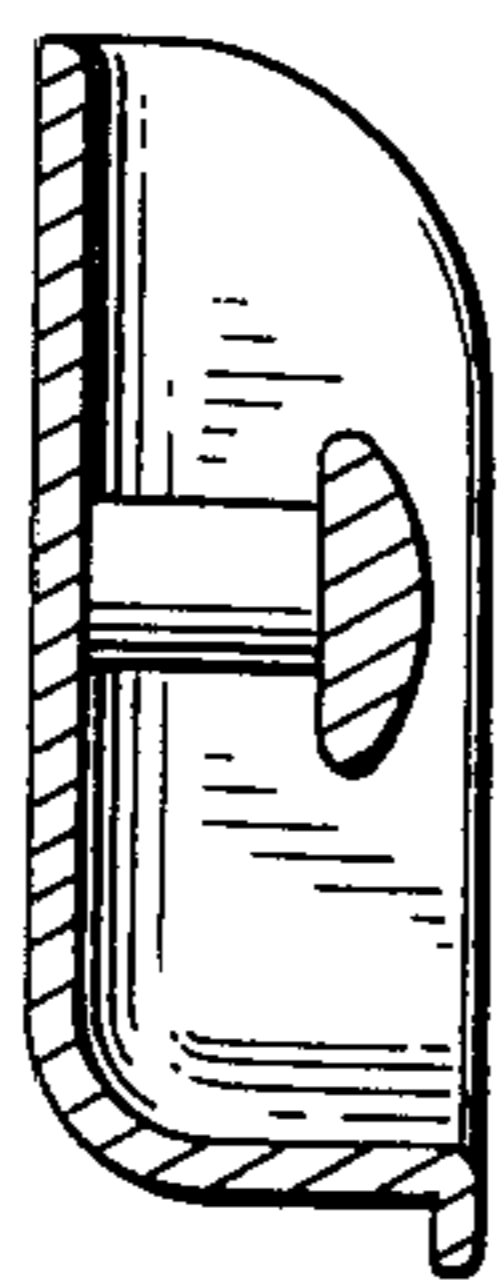
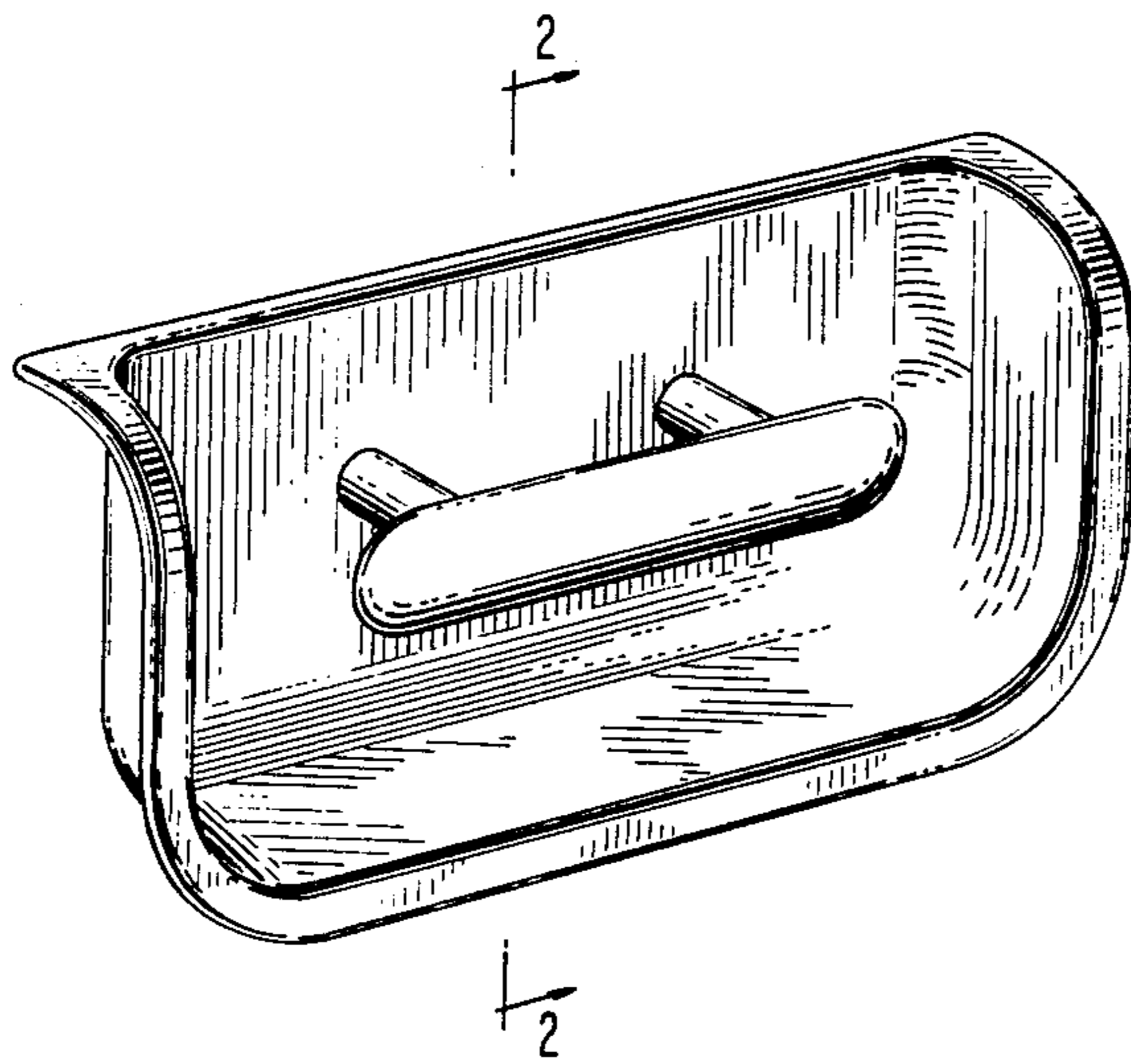


FIG. 2