

[54] STAPLER

[75] Inventors: Grete Jalk, Skodsborg; Jørgen Gammelgård, Alberts Lund, both of Denmark

[73] Assignee: Swingline, Inc., Long Island City, N.Y.

[**] Term: 14 Years

[21] Appl. No.: 664,287

[22] Filed: Mar. 5, 1976

[51] Int. Cl. D19-02

[52] U.S. Cl. D8/50

[58] Field of Search D8/48-50, D8/98; D3/19 A; 227/120, 134

[56]

References Cited

U.S. PATENT DOCUMENTS

D. 118,380	1/1940	Maynard	D8/49
D. 164,375	8/1951	Marano	D8/50
D. 237,453	11/1975	Perrino	D8/98
2,409,854	10/1946	Heller	227/134
3,165,080	1/1965	Castelletti	D3/19 A

Primary Examiner—Joel Stearman
Assistant Examiner—George P. Word
Attorney, Agent, or Firm—Willis H. Taylor, Jr.

[57]

CLAIM

The ornamental design for a stapler, substantially as shown and described.

DESCRIPTION

FIG. 1 is a perspective view of a stapler showing our new design;
FIG. 2 is a top plan view;
FIG. 3 is a right side elevational view;
FIG. 4 is a front elevational view; and
FIG. 5 is a rear elevational view.

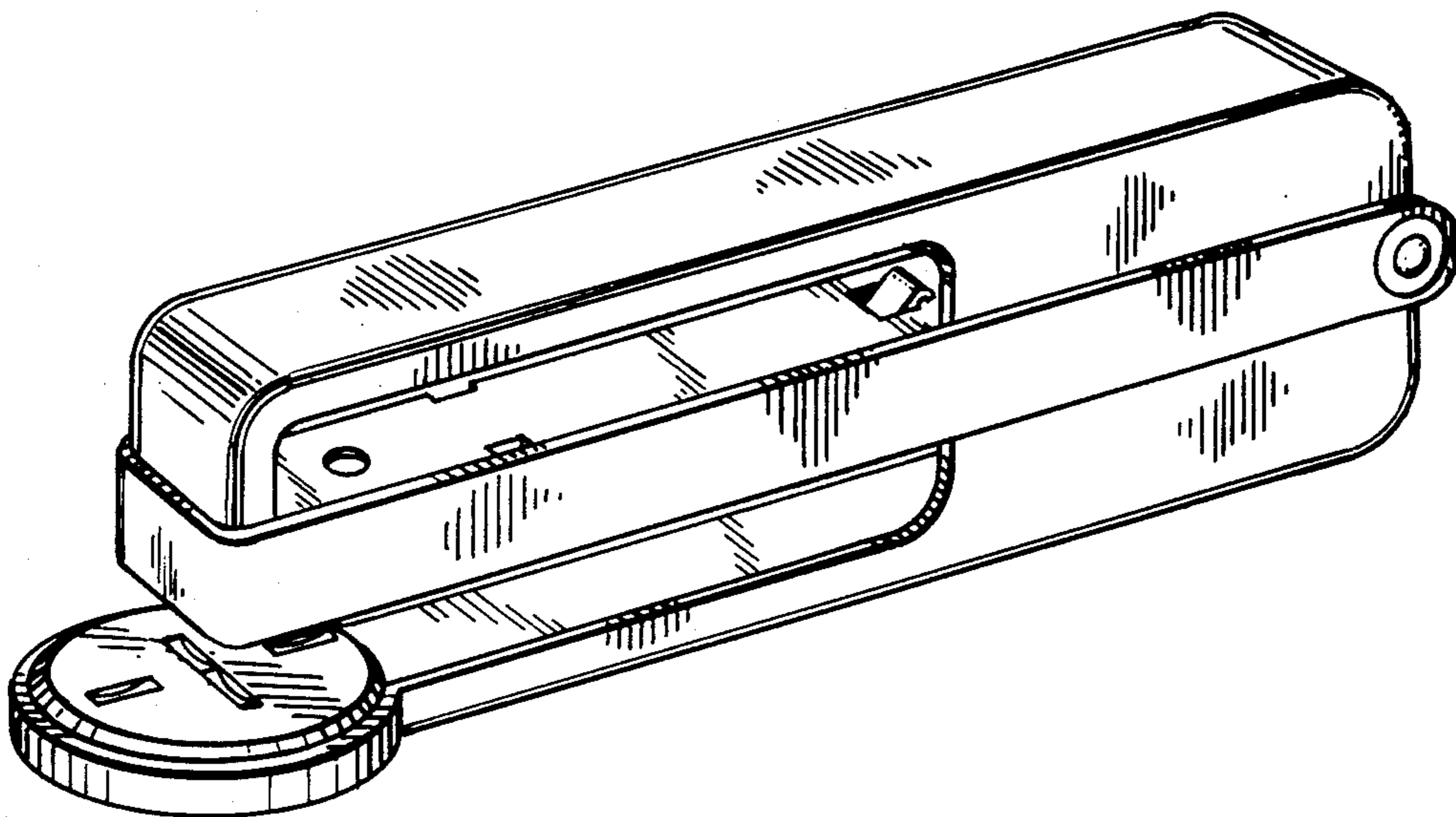


FIG. 1

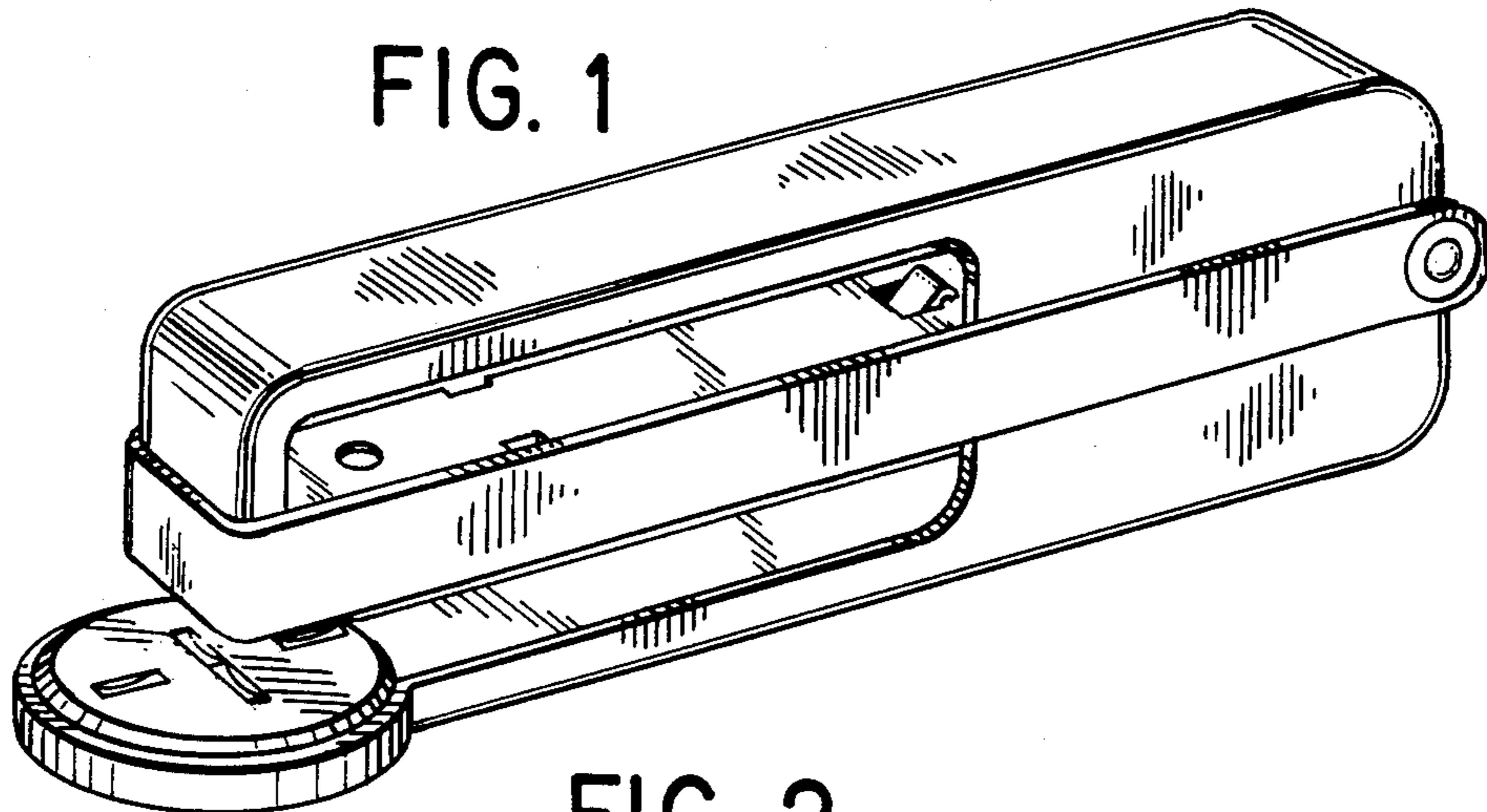


FIG. 2

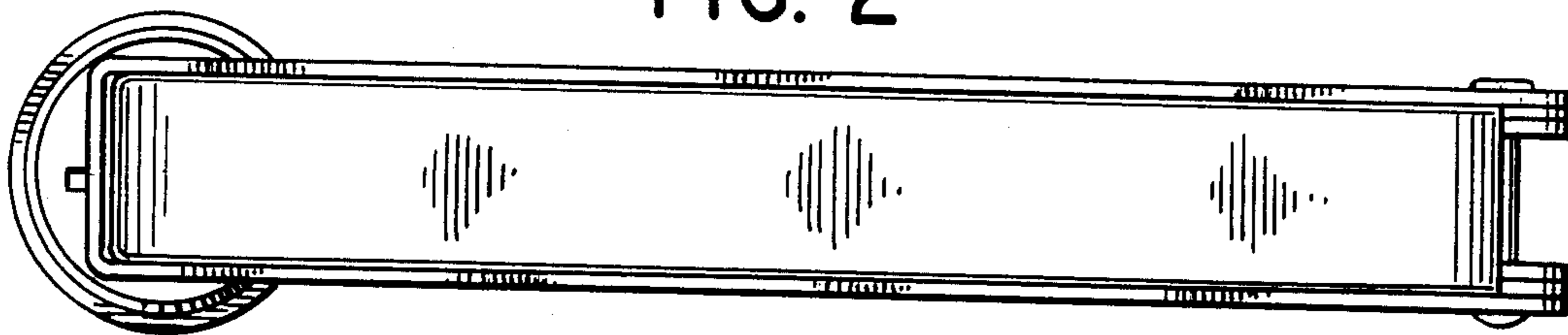


FIG. 3

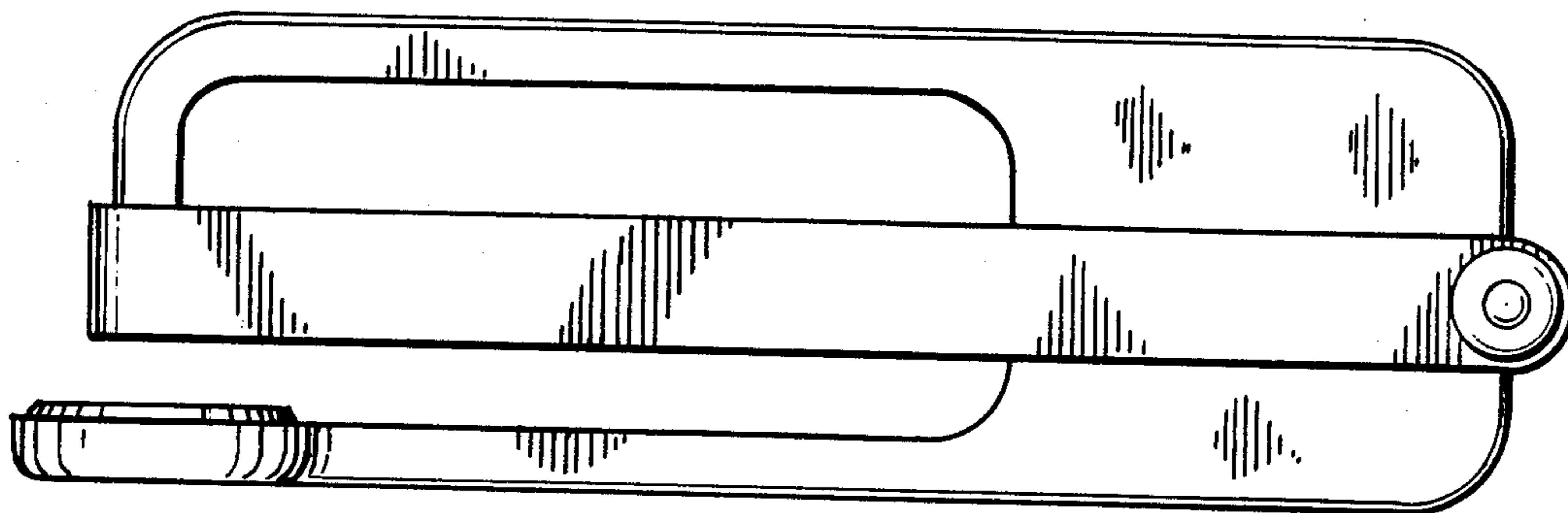


FIG. 4

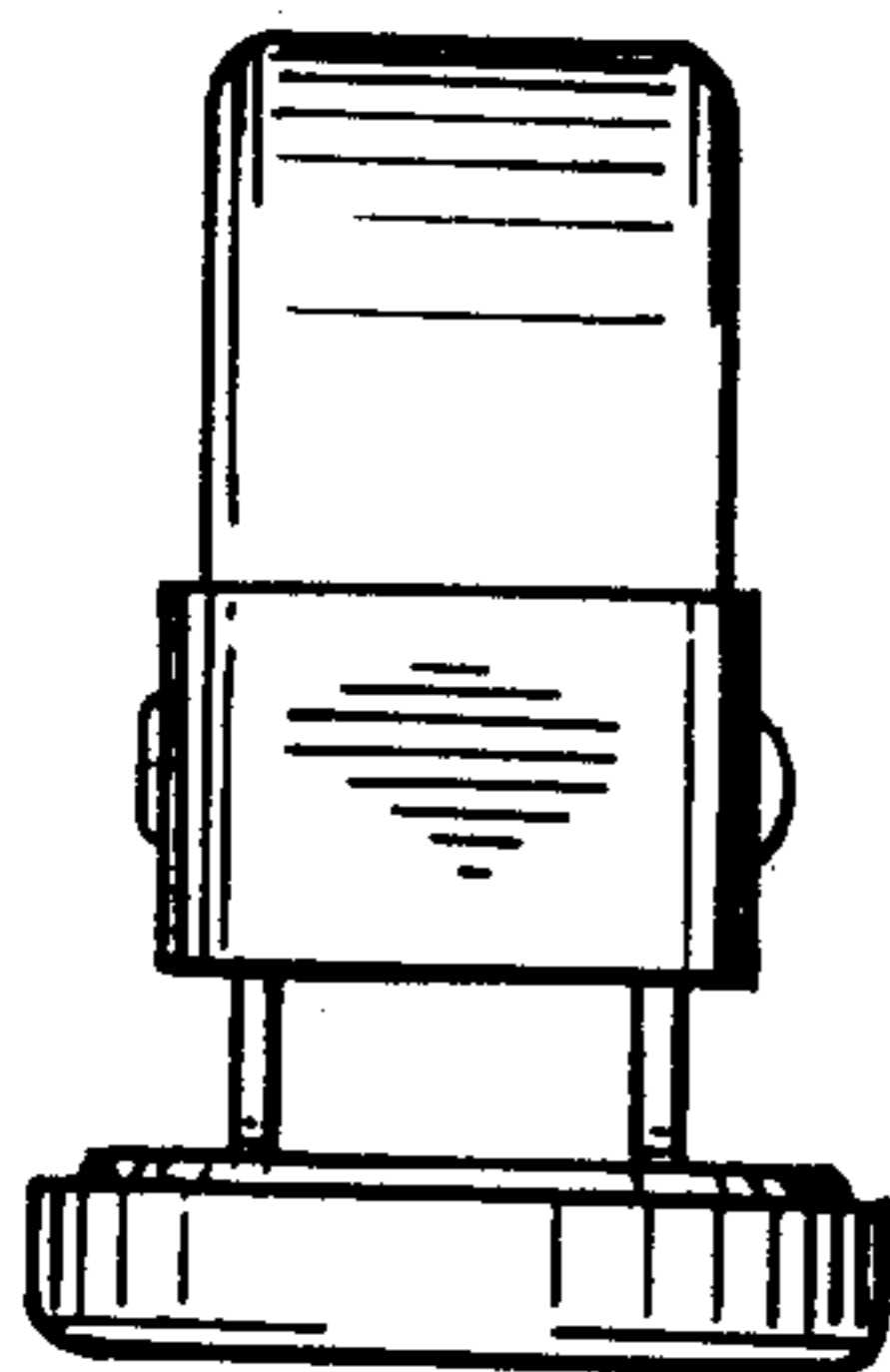


FIG. 5

