

[54] MULTIPLE POSITION SERVICE COUNTER UNIT

[75] Inventors: Vernon C. Canfield, Bainbridge Island, Wash.; Charles F. Anderson, San Marino, Calif.

[73] Assignee: Pacific National Bank of Washington, Seattle, Wash.

[\*\*] Term: 14 Years

[21] Appl. No.: 728,389

[22] Filed: Sep. 30, 1976

[51] Int. Cl. .... D6-04

[52] U.S. Cl. .... D6/157; D6/143; D6/159; D6/168

[58] Field of Search ..... D6/143, 144, 146, 148, D6/157, 158, 159, 160, 161, 164, 165, 166, 167, 168, 169, 170, 171, 181, 186

[56] References Cited

U.S. PATENT DOCUMENTS

D. 129,924	10/1941	Lowther .....	D6/157
D. 169,973	7/1953	Goins, Sr. ....	D6/157
D. 179,656	2/1957	Piotraschke .....	D6/157
D. 188,447	7/1960	Kegel et al. ....	D6/157
D. 206,840	1/1967	Ziegelman et al. ....	D6/157
D. 223,838	6/1972	Valic .....	D6/157

Primary Examiner—Bruce W. Dunkins  
Attorney, Agent, or Firm—Richard W. Seed

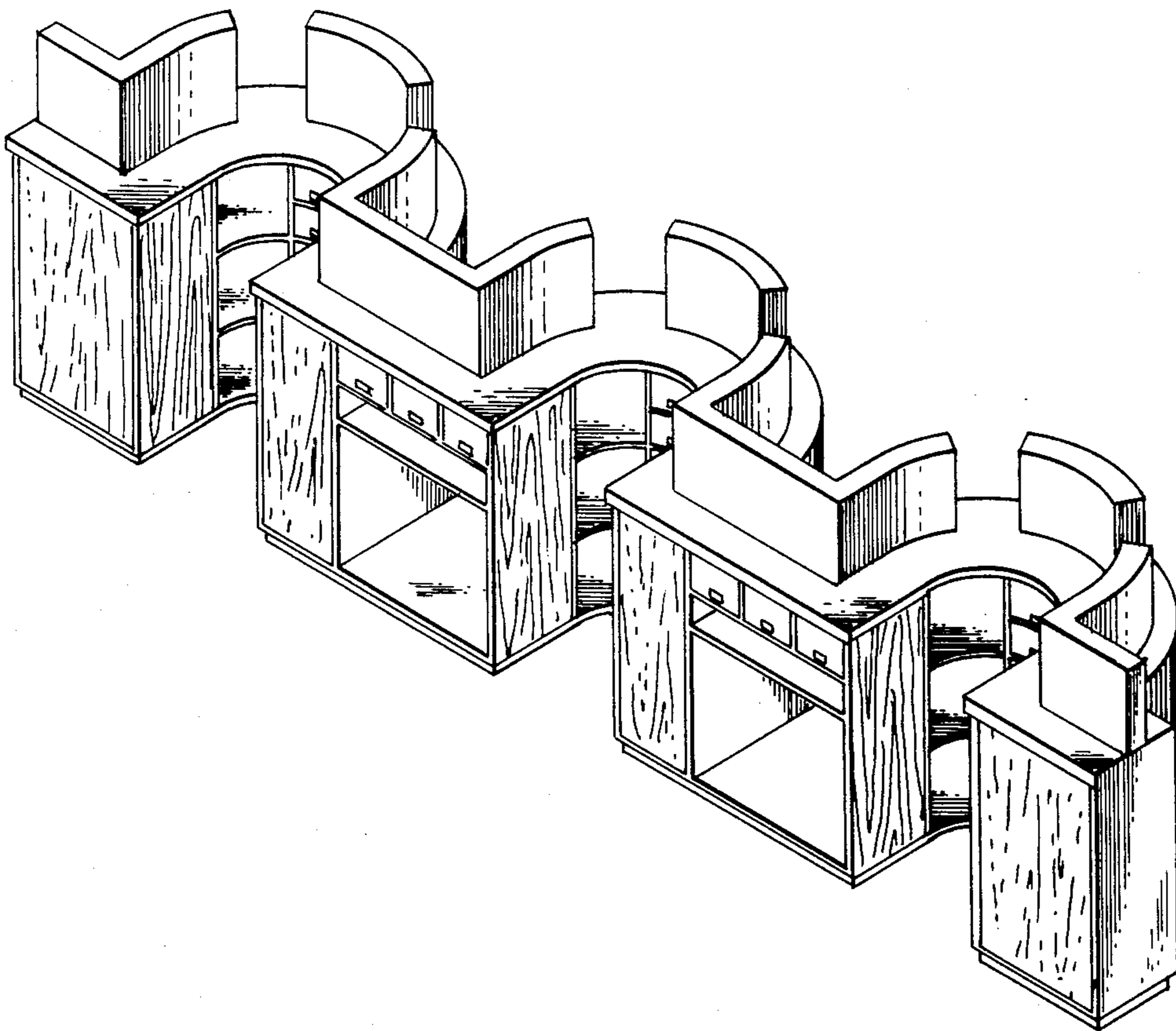
[57] CLAIM

The ornamental design for a multiple position service counter unit, as shown.

DESCRIPTION

FIG. 1 is a rear perspective view looking down from above of the multiple position service counter unit embodying our design;

FIG. 2 is a front perspective view looking down from above of the multiple position service counter unit of the embodiment shown in FIG. 1.



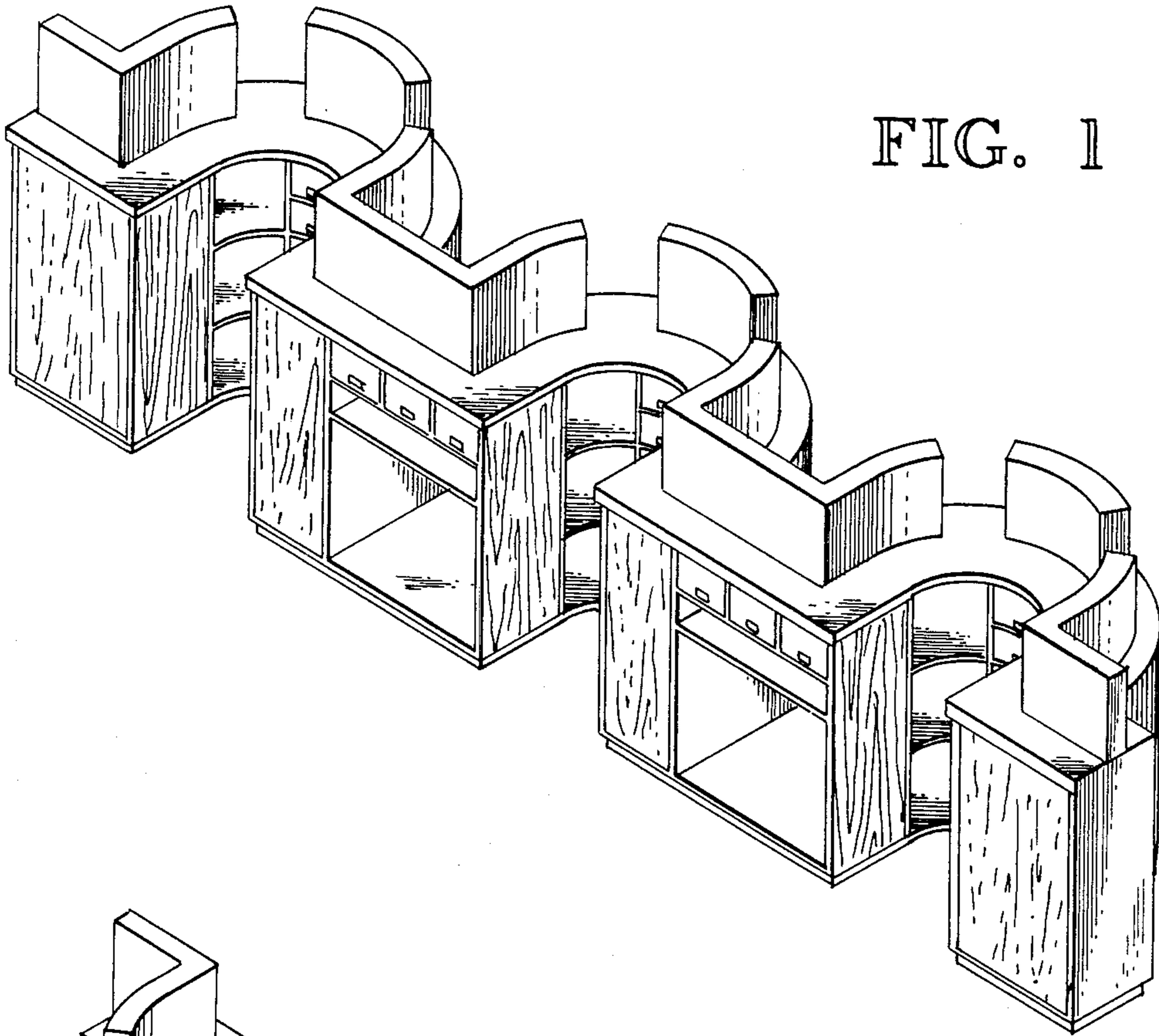


FIG. 1

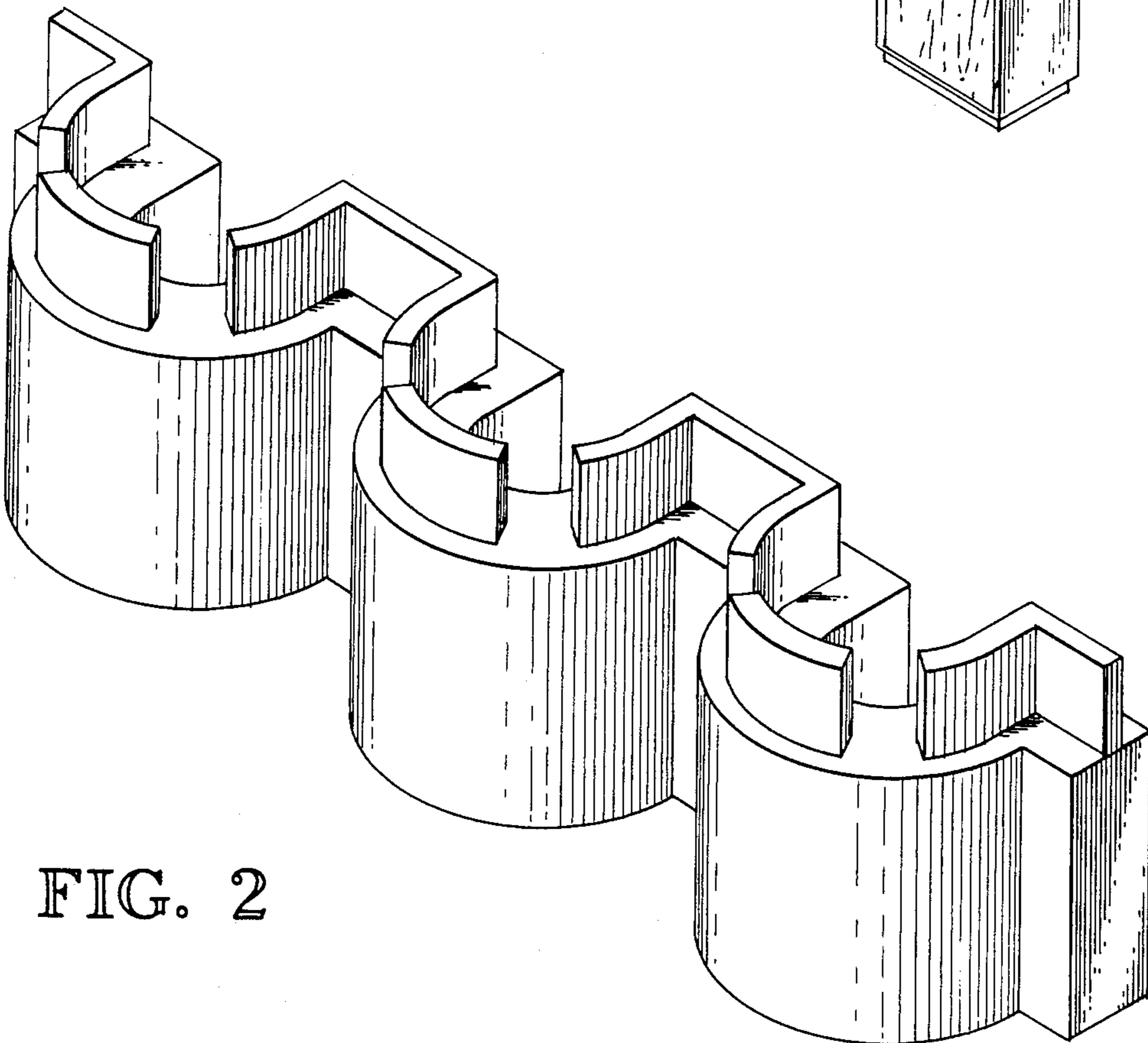


FIG. 2