

[54] COAT RACK

[76] Inventor: Douglas A. Robinson, 806 Ariege Dr., Creve Coeur, Mo. 63141

[**] Term: 14 Years

[21] Appl. No.: 748,390

[22] Filed: Dec. 7, 1976

[51] Int. Cl. D6-06

[52] U.S. Cl. D6/116; D6/114

[58] Field of Search D6/85, 114, 116, 127, D6/130, 132, 136, 140, 146, 152, 158, 167, 172, 175, 188, 186, 189, 117, 118; 211/13, 32, 45, 49 R, 495, 87, 88, 105.1, 106, 123, 129, 131, 163, 169, 181, 182

[56] References Cited

U.S. PATENT DOCUMENTS

D. 168,299 12/1952 Hansen et al. D6/118
D. 203,511 1/1966 Gingher D6/114

D. 221,236 7/1971 Fowler D6/85
751,891 2/1904 Anderson 211/13
3,665,868 5/1972 Kaeslin 211/123

Primary Examiner—Wallace R. Burke
Assistant Examiner—B. J. Bullock
Attorney, Agent, or Firm—Stuart E. Beck

[57] CLAIM

The ornamental design for coat rack, substantially as shown and described.

DESCRIPTION

FIG. 1 is a front perspective view of a coat rack showing my new design.
FIG. 2 is a front elevational view thereof;
FIG. 3 is a side elevational view taken from the left of FIG. 2;
FIG. 4 is a side elevational view taken from the right of FIG. 2.
FIG. 5 is a top plan view thereof.
FIG. 6 is a rear elevational view thereof.
FIG. 7 is a bottom plan view thereof.

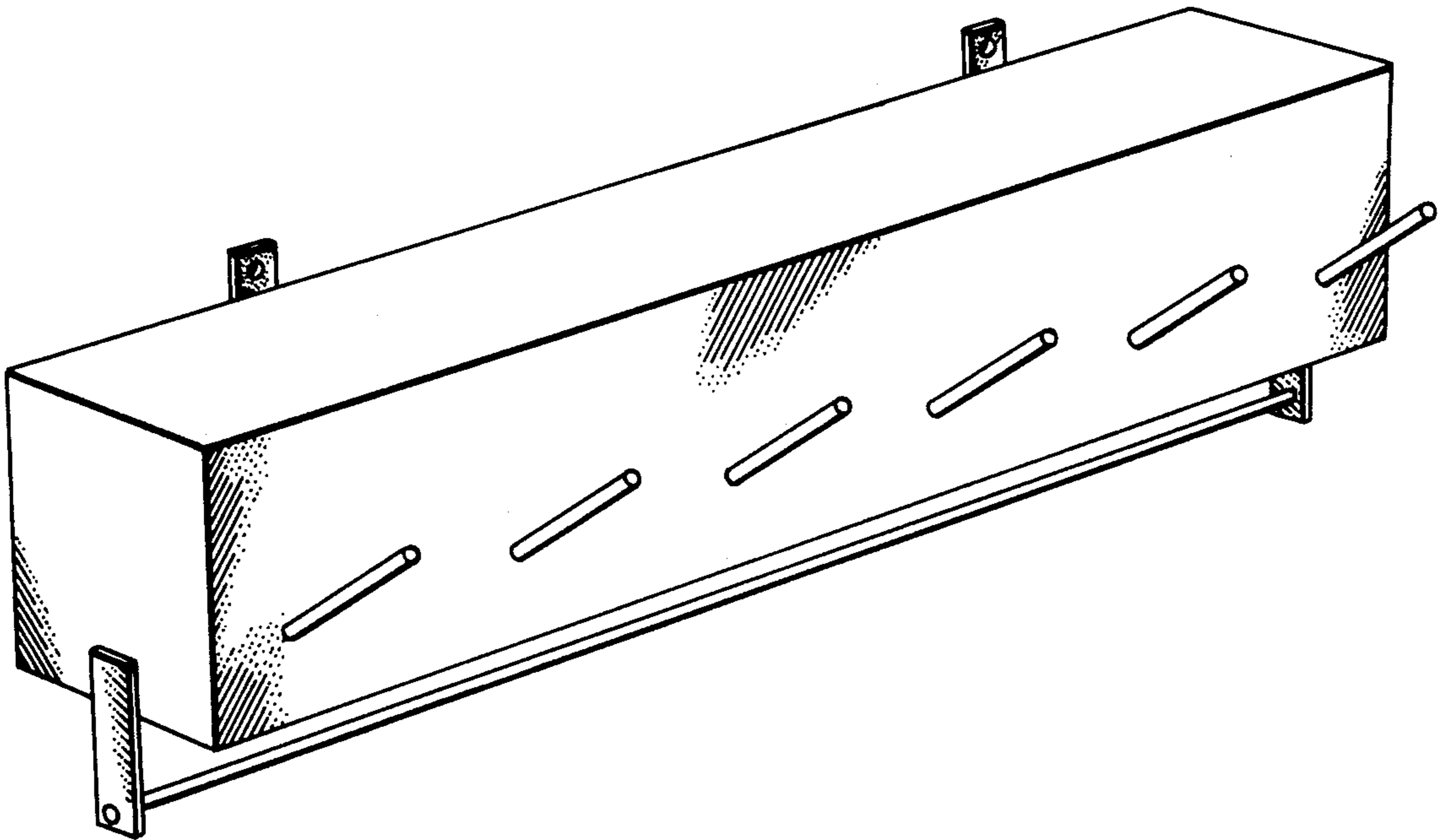


FIG. 1

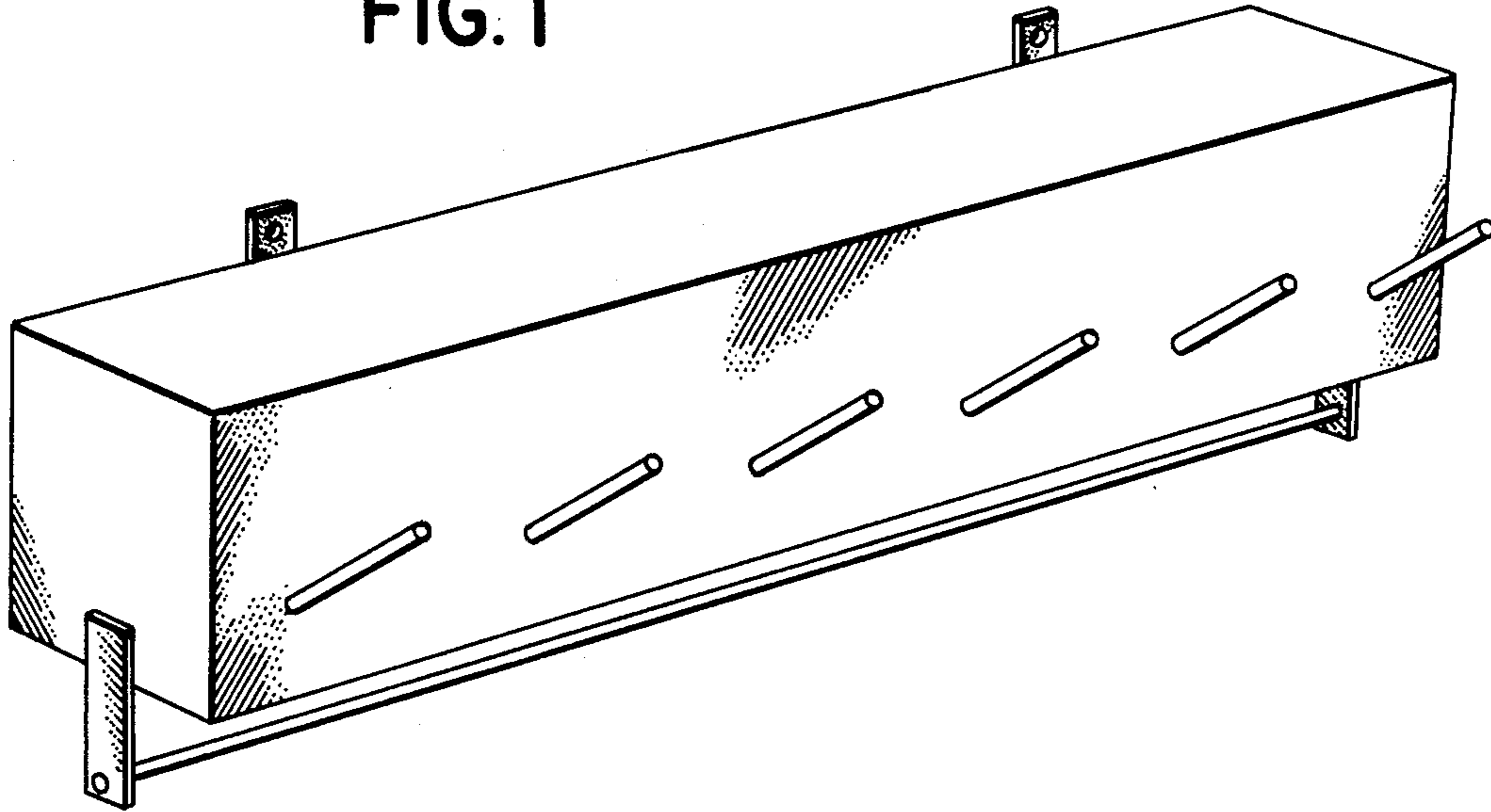


FIG. 2

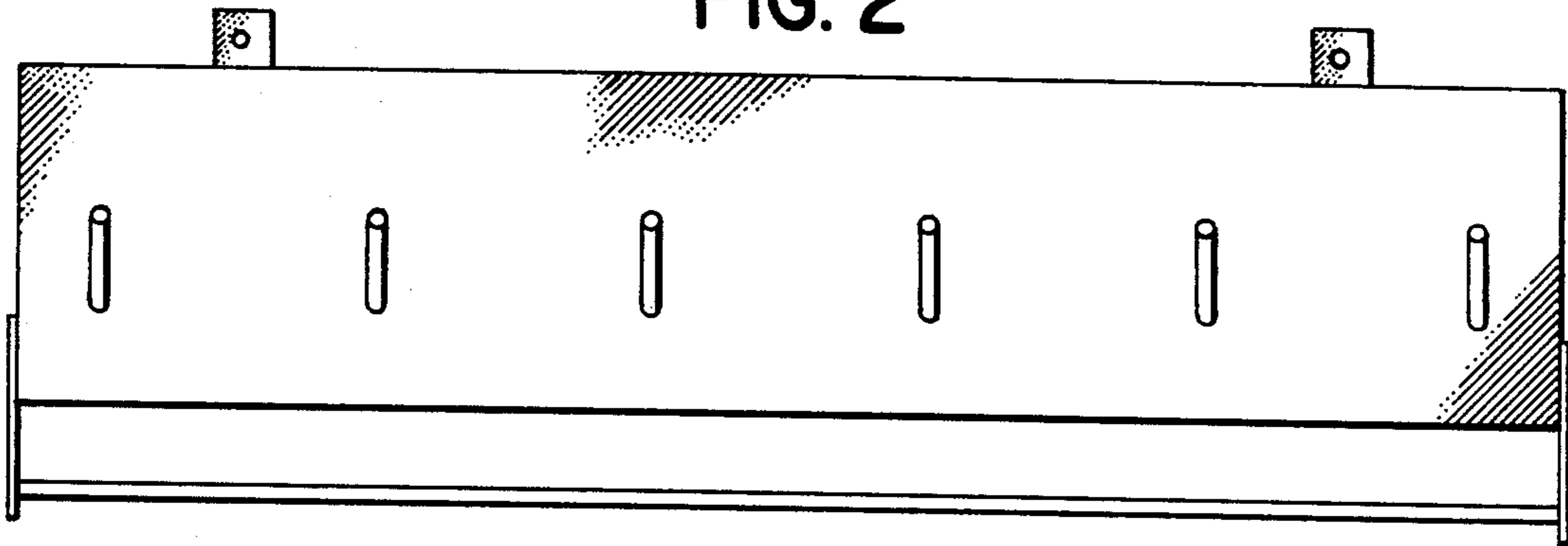


FIG. 3

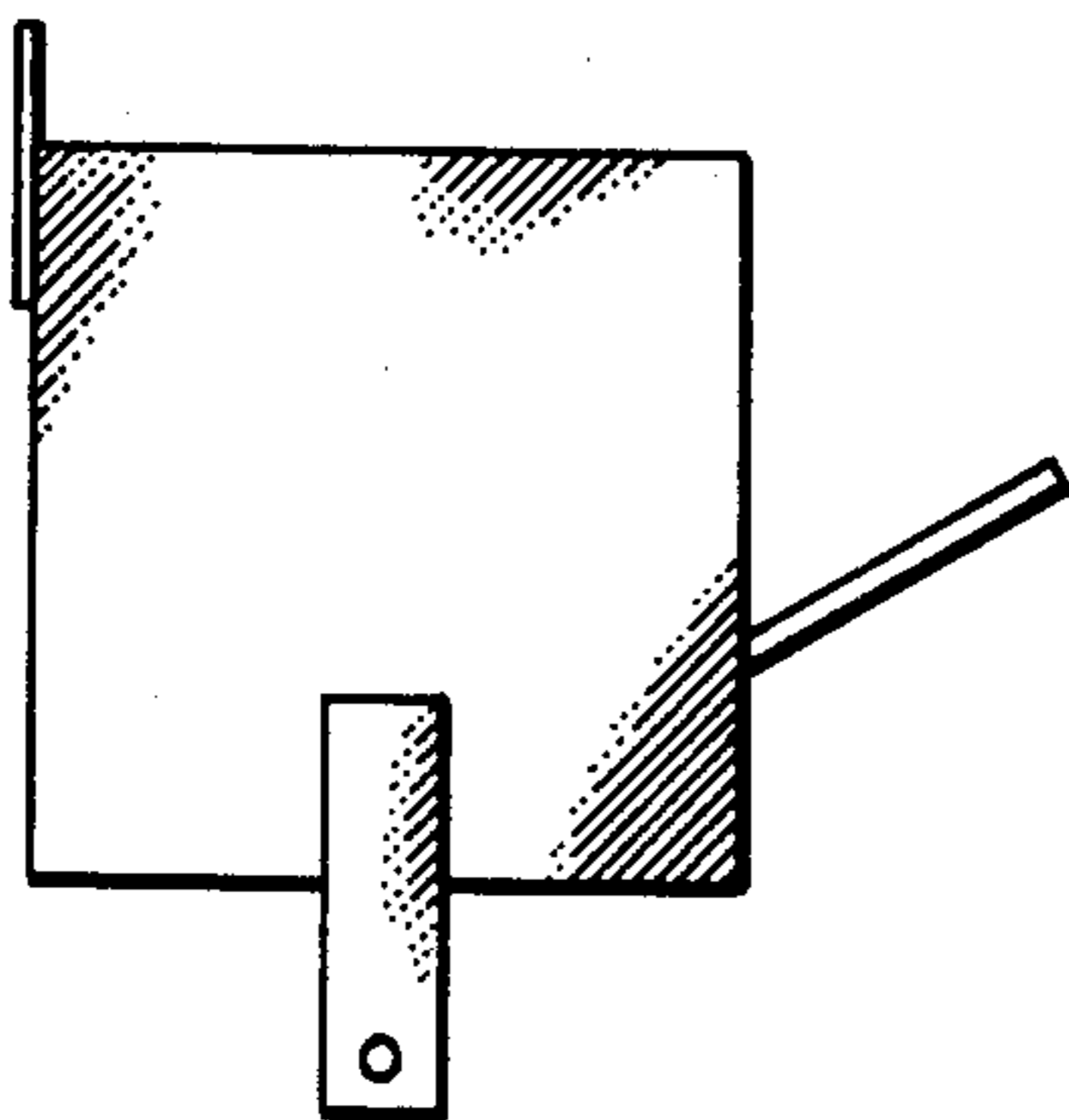


FIG. 4

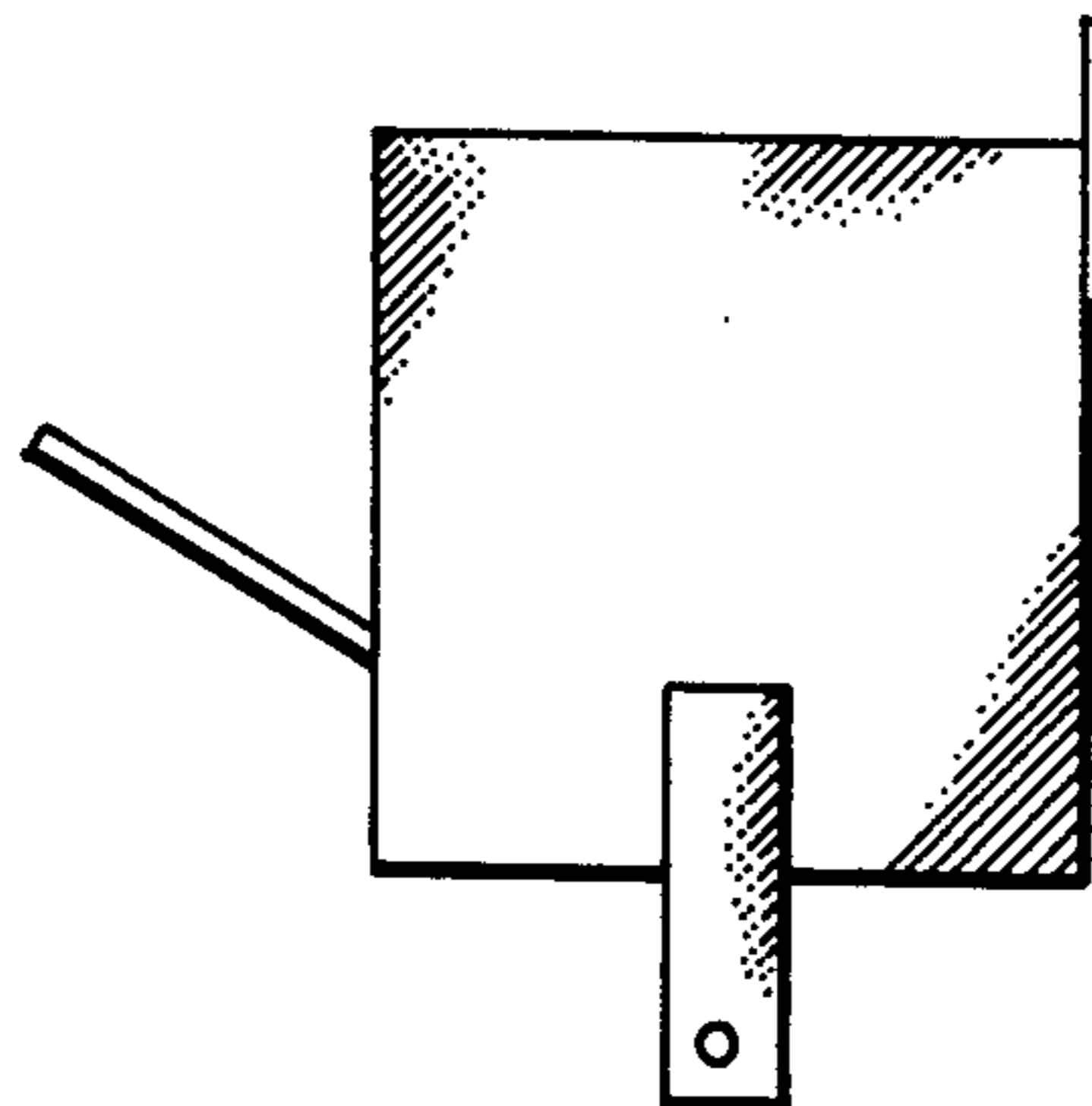


FIG. 5

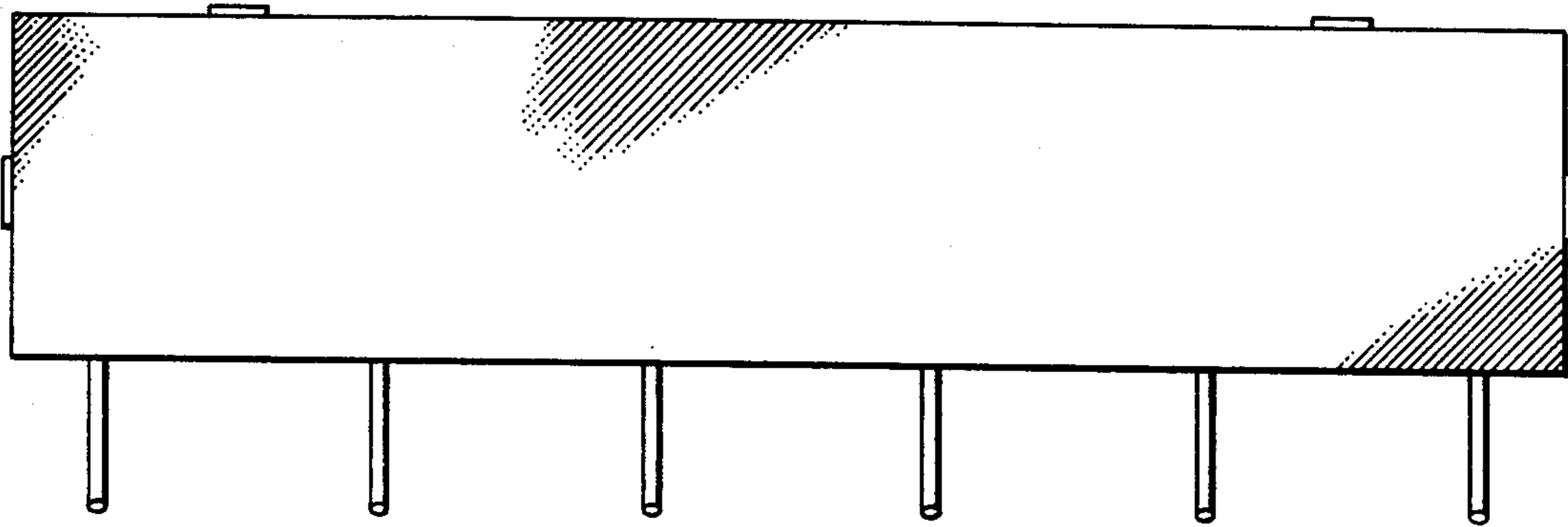


FIG. 6

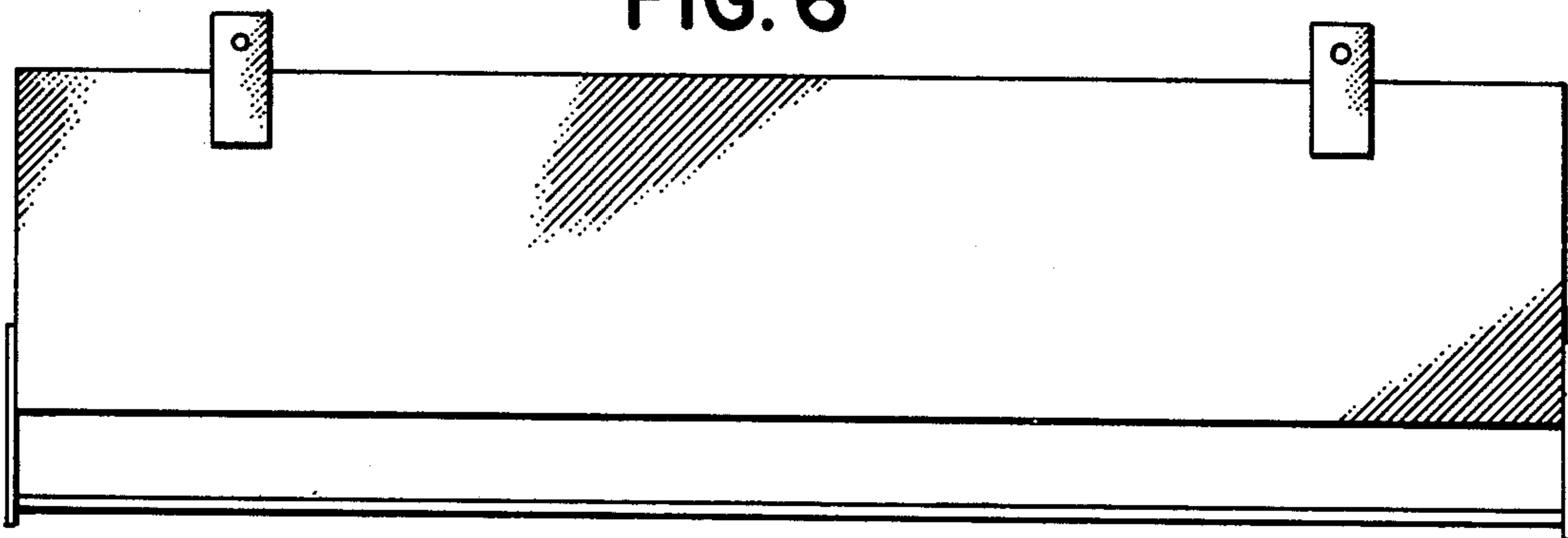


FIG. 7

