

[54] PURSE

1,889,070 11/1932 Hyatt 301/108 R

[76] Inventor: Marilyn J. Pfleger, 5303 Clark Ave., Cleveland, Ohio 44102

OTHER PUBLICATIONS

Handbags & Accessories Nov. 1969, p. 22, bottom rt. cor.

[**] Term: 14 Years

Primary Examiner—Joel Stearman
Assistant Examiner—George P. Word
Attorney, Agent, or Firm—George V. Woodling

[21] Appl. No.: 691,382

[22] Filed: Jun. 1, 1976

[51] Int. Cl. D3-01

[52] U.S. Cl. D87/3 F; D87/3 C

[58] Field of Search D87/3 R, 3 D, 3 F, 1 R,
D87/5 D; 150/28 R, 34, 33, 1, 12;
D12/204-211, 212, 135; 16/45; 301/63 PW,
108 R, 37 R, 37 B, 37 L; 220/200, 213, 212, 376

[57] CLAIM

The ornamental design for a purse, as shown and described.

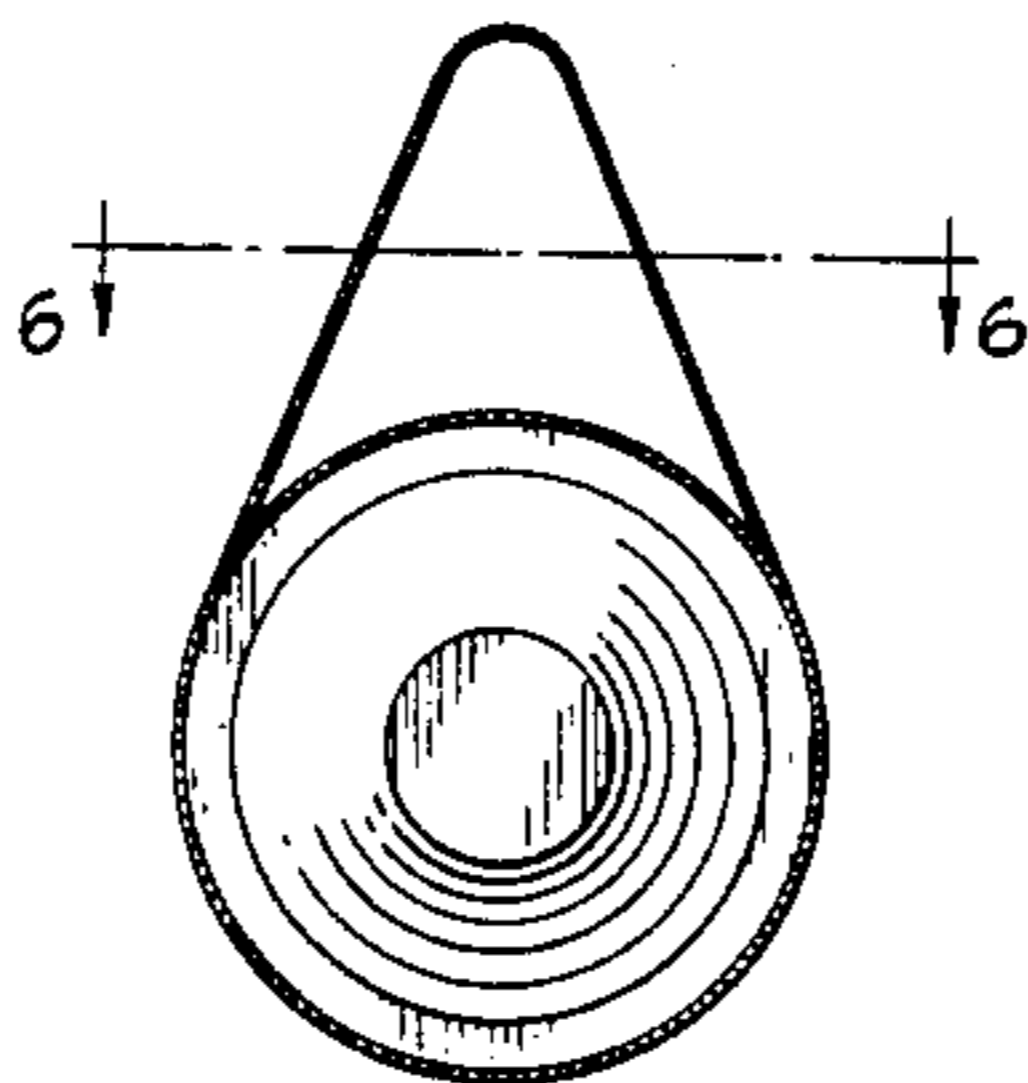
DESCRIPTION

FIG. 1 is a front elevational view of a purse embodying my new design;
FIG. 2 is a rear elevational view thereof;
FIG. 3 is a top plan view thereof;
FIG. 4 is a bottom plan view thereof;
FIG. 5 is a side elevational view thereof; and
FIG. 6 is a cross sectional view taken along line 6-6 in FIG. 1.
The other side view is substantially identical to the side shown in FIG. 5.

[56] References Cited

U.S. PATENT DOCUMENTS

D. 51,351	10/1917	Summers	D87/3 F
D. 96,520	8/1935	Thucaky	D87/3 F
D. 96,634	8/1935	Thucaky	D87/3 F
D. 107,333	12/1937	Gierden	D87/3 F
D. 144,751	5/1946	Young	12/212
D. 185,155	5/1959	Grutta	D87/3 F



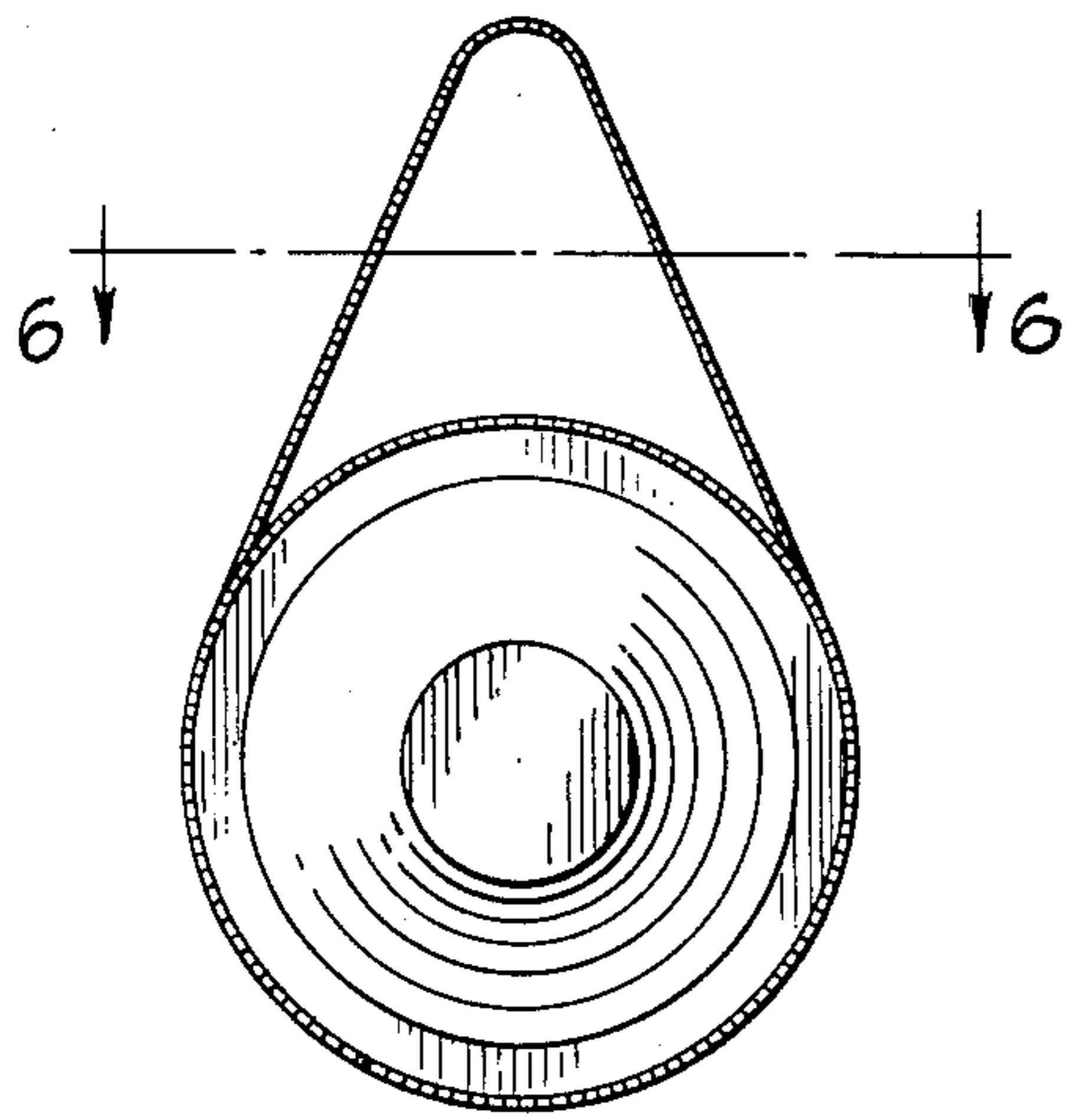


Fig. 1

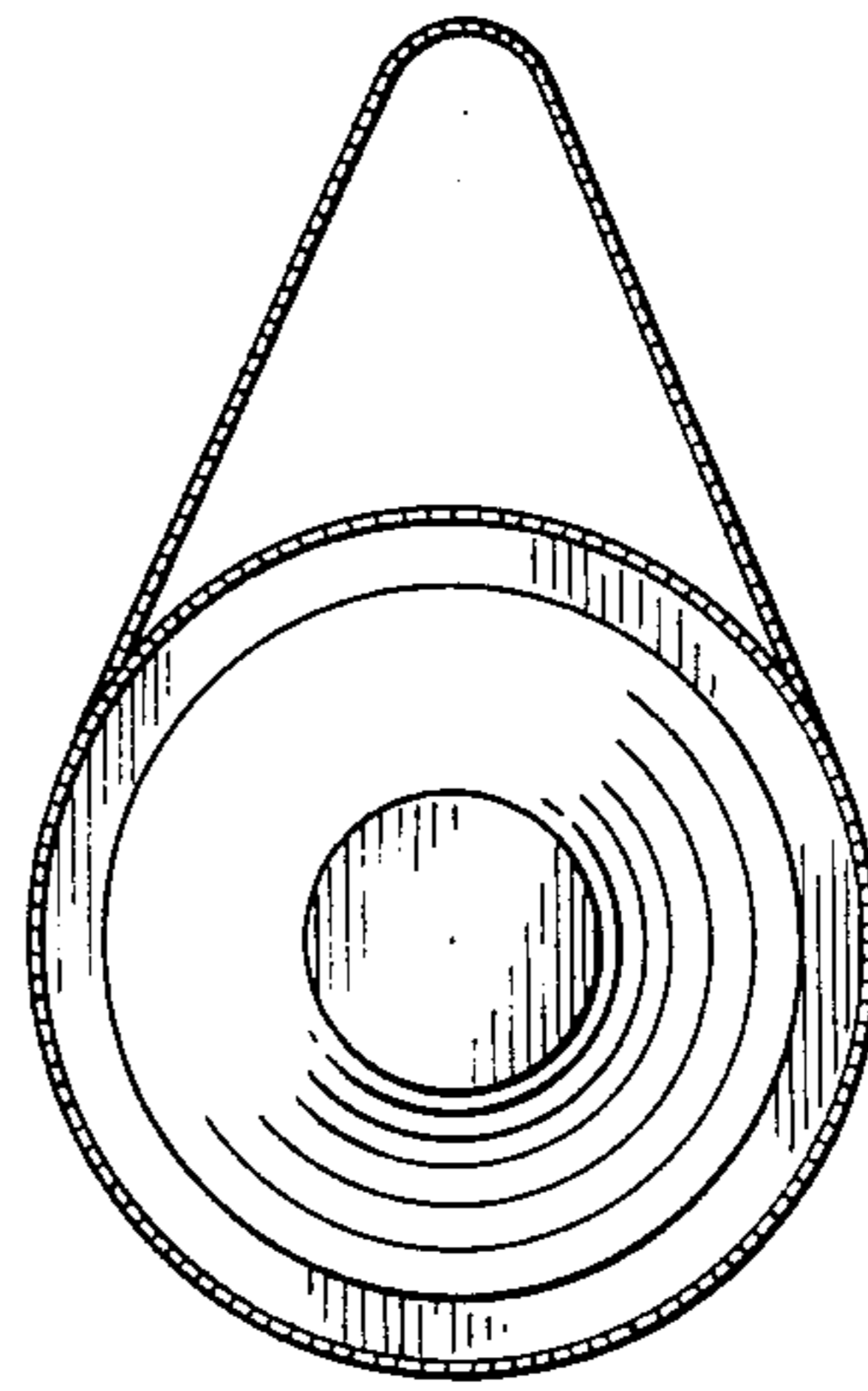


Fig. 2

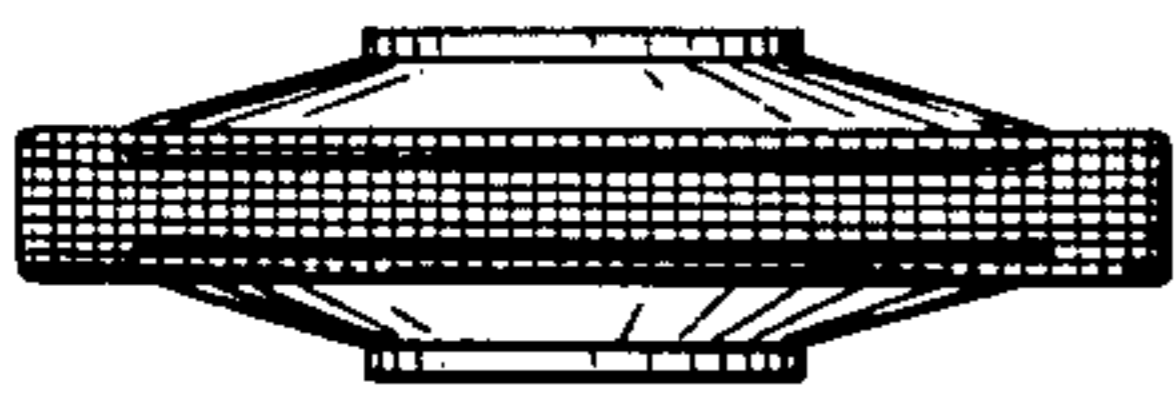


Fig. 3

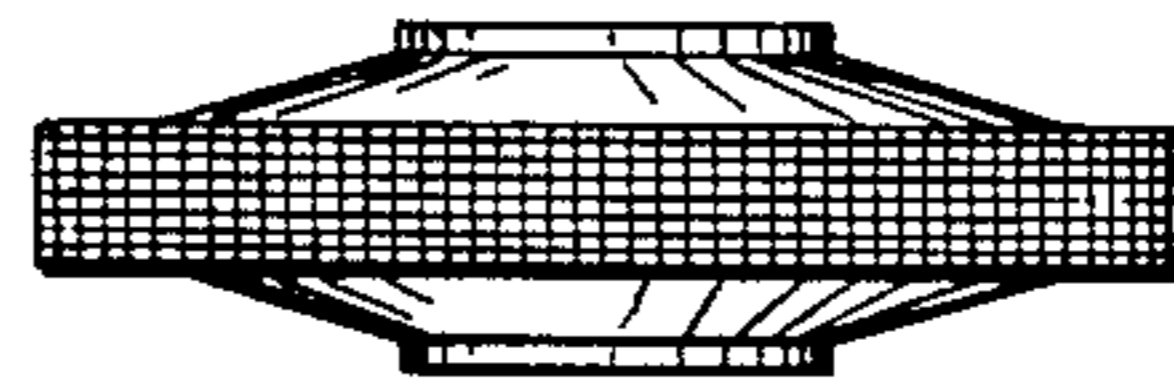


Fig. 4

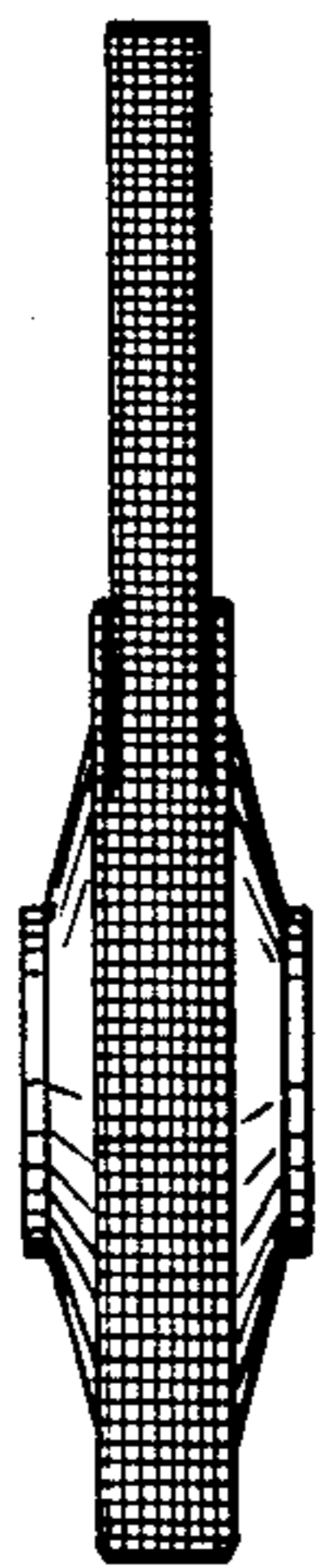


Fig. 5

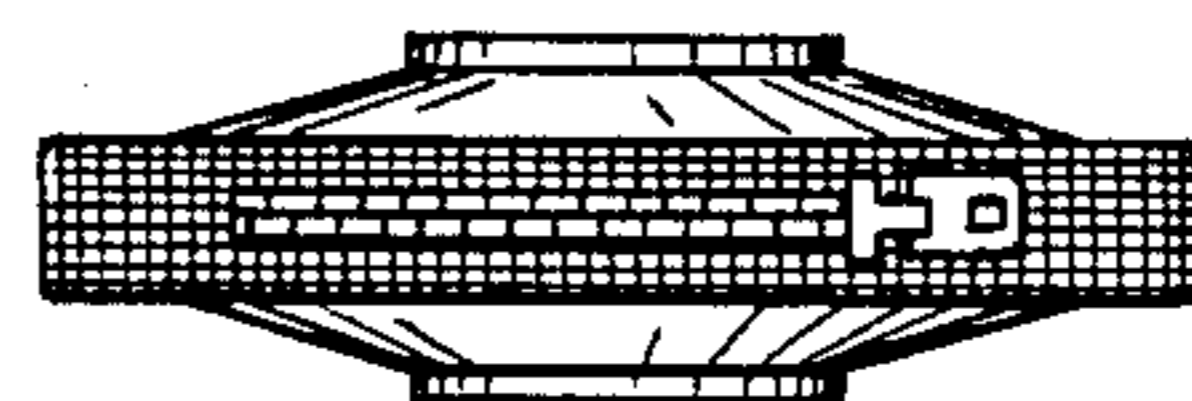


Fig. 6