

[54] TOY TRACKWAY

346,092 7/1886 Crosswell ..... D34/15 K

[75] Inventor: Yutaka Tanaka, Saitama, Japan

[73] Assignee: Toytown Corporation, Tokyo, Japan

[\*\*] Term: 14 Years

[21] Appl. No.: 746,171

[22] Filed: Nov. 30, 1976

[51] Int. Cl. .... D21-01

[52] U.S. Cl. .... D34/15 K

[58] Field of Search ..... D34/15 R, 15 K, 15 MM;  
46/216, 203, 1 K, 43; 104/60

[56] References Cited

U.S. PATENT DOCUMENTS

D. 220,577	4/1971	Arai .....	D34/15 MM
D. 226,957	5/1973	Arai .....	D34/15 MM
D. 231,555	4/1974	Suzuki .....	D34/15 MM

OTHER PUBLICATIONS

Playthings, 6-1962, p. 83, toy track.

Primary Examiner—Joel Stearman

Assistant Examiner—C. A. Rademaker

Attorney, Agent, or Firm—James D. Halsey, Jr.

[57] CLAIM

The ornamental design for a toy trackway, as shown.

DESCRIPTION

FIG. 1 is a perspective view of a toy trackway, embodying my new design;

FIG. 2 is a front elevational view thereof;

FIG. 3 is a rear elevational view thereof;

FIG. 4 is a top plan view thereof;

FIG. 5 is a left side elevational view thereof; and

FIG. 6 is a right side elevational view thereof.

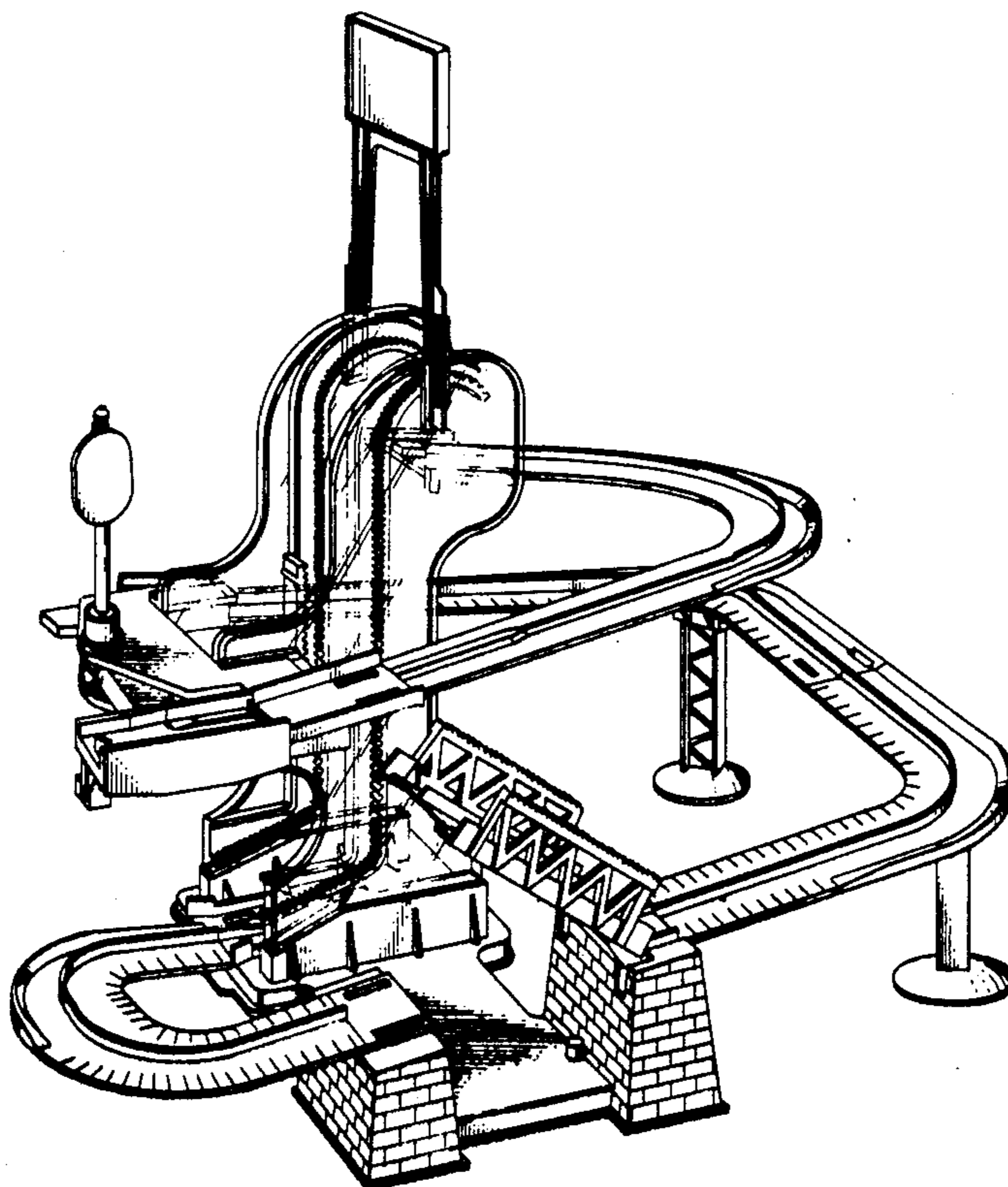


FIG. 1.

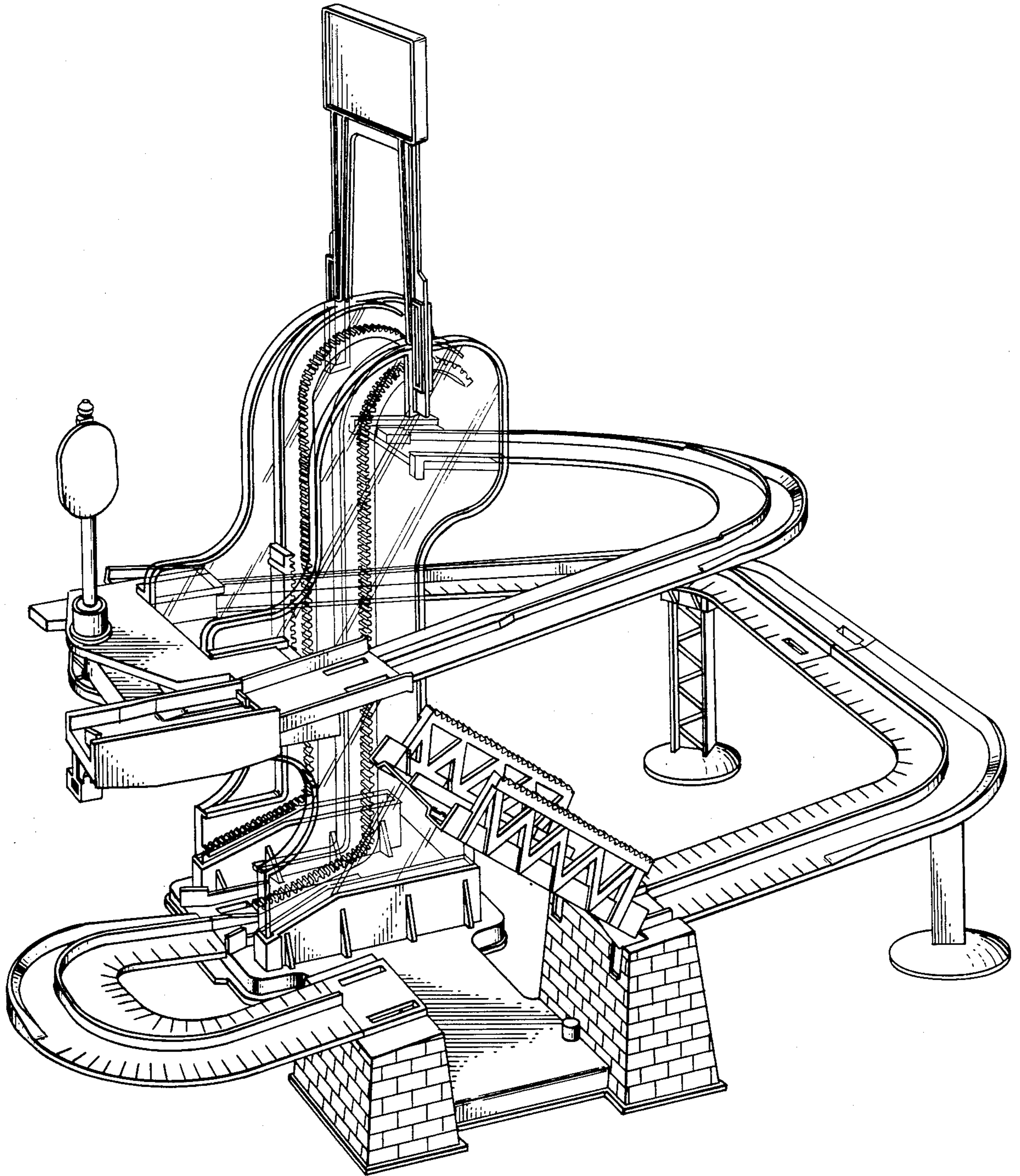


FIG. 2.

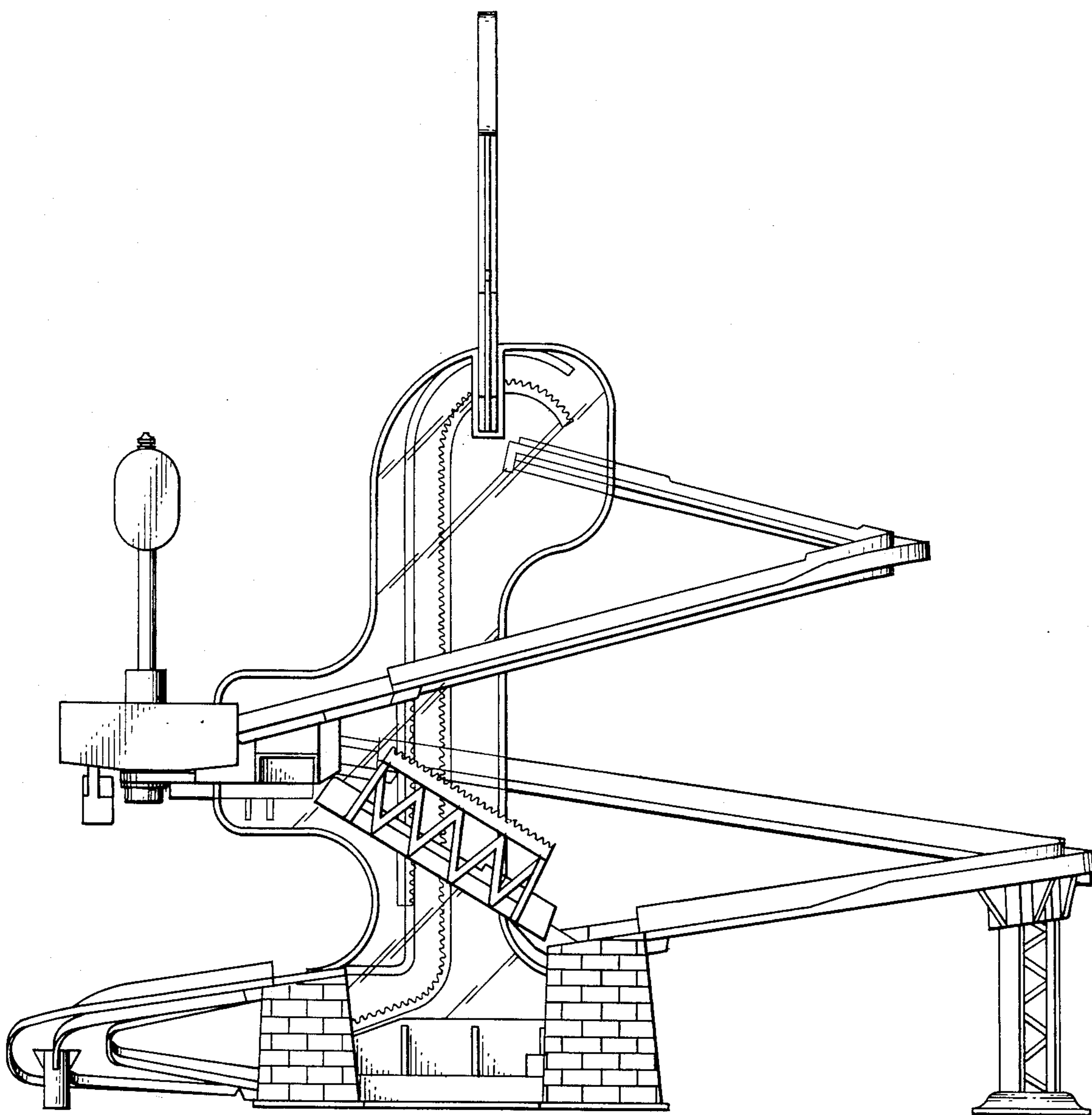


FIG. 3.

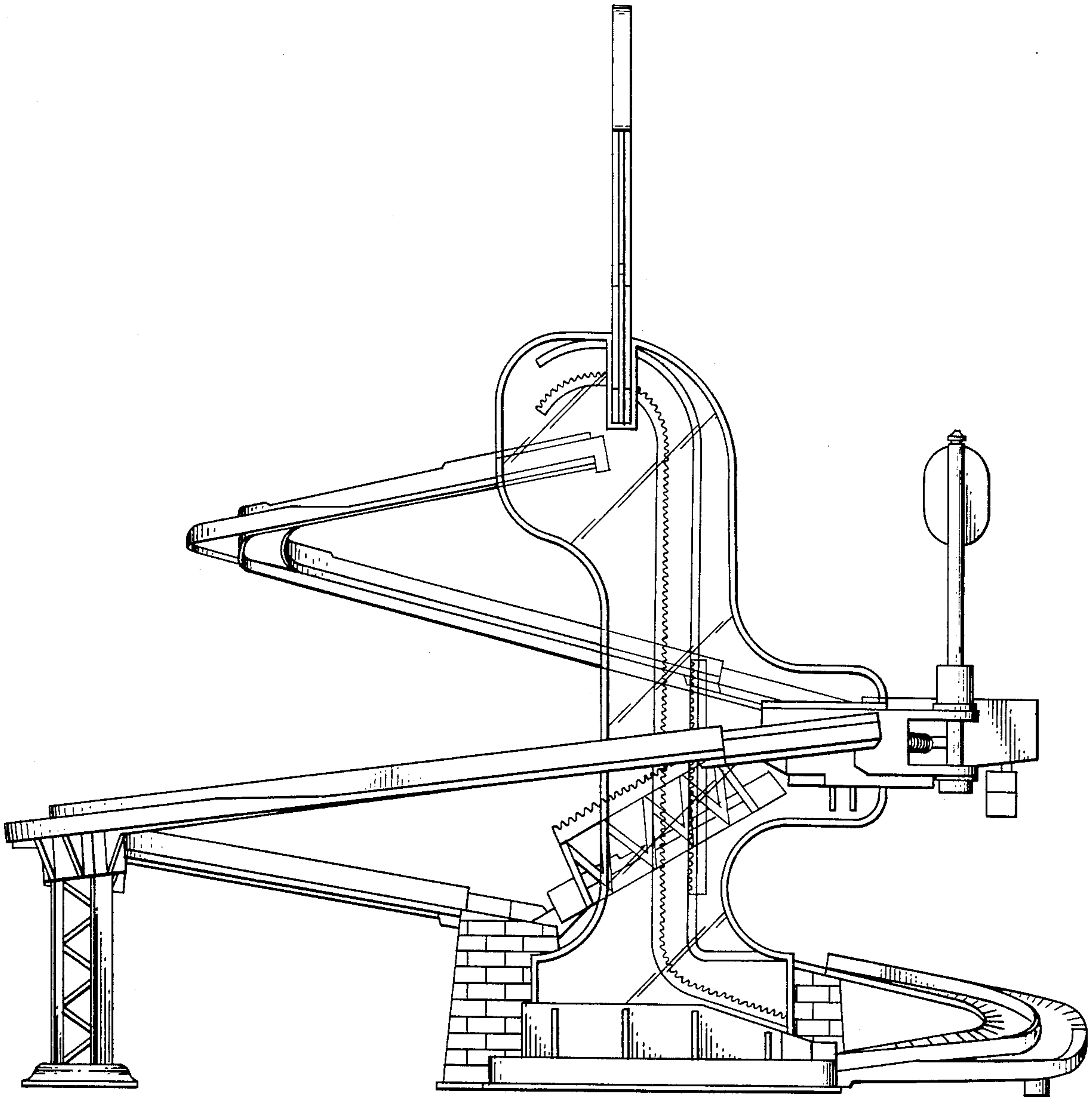


FIG. 4.

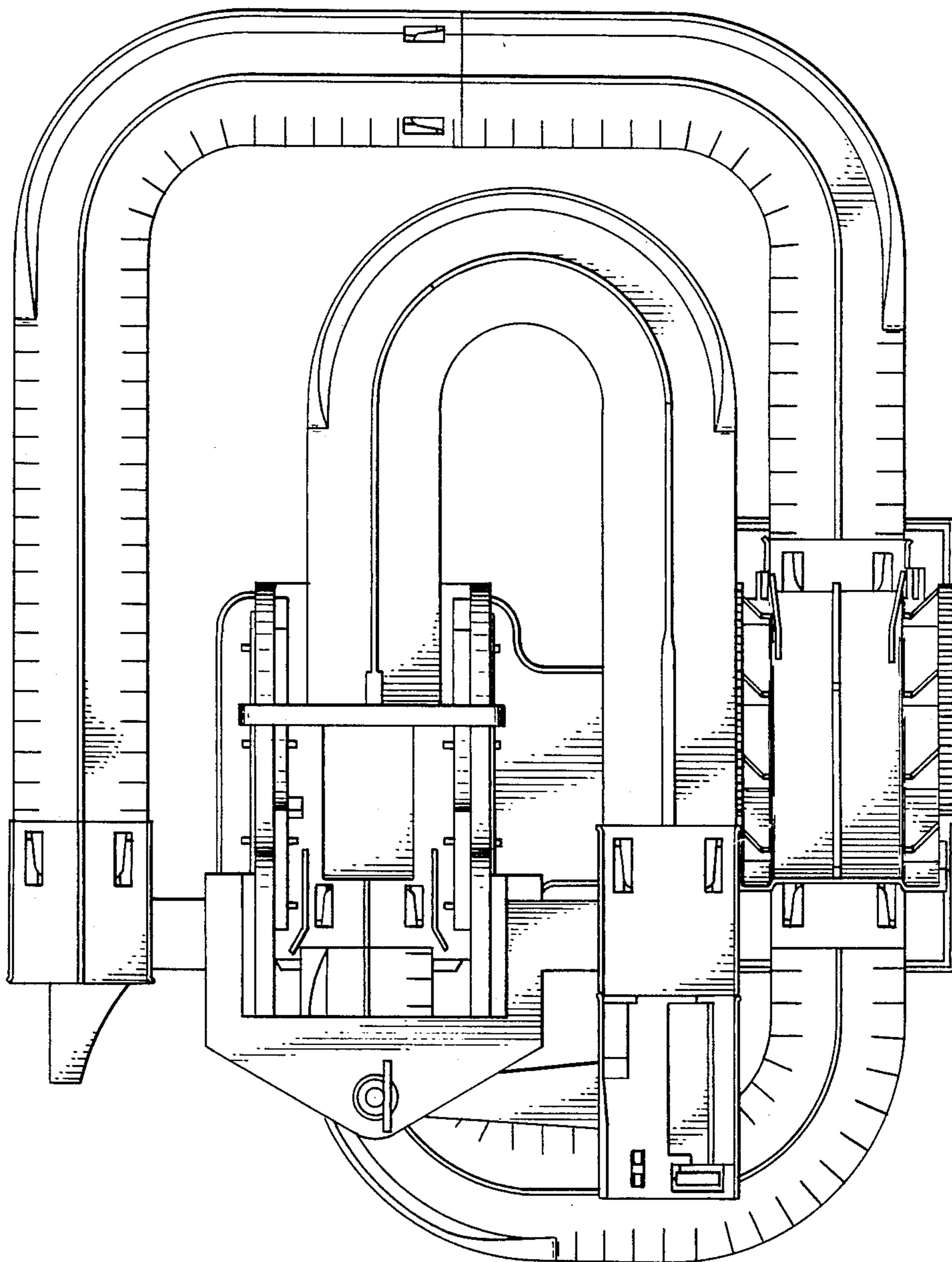


FIG. 5.

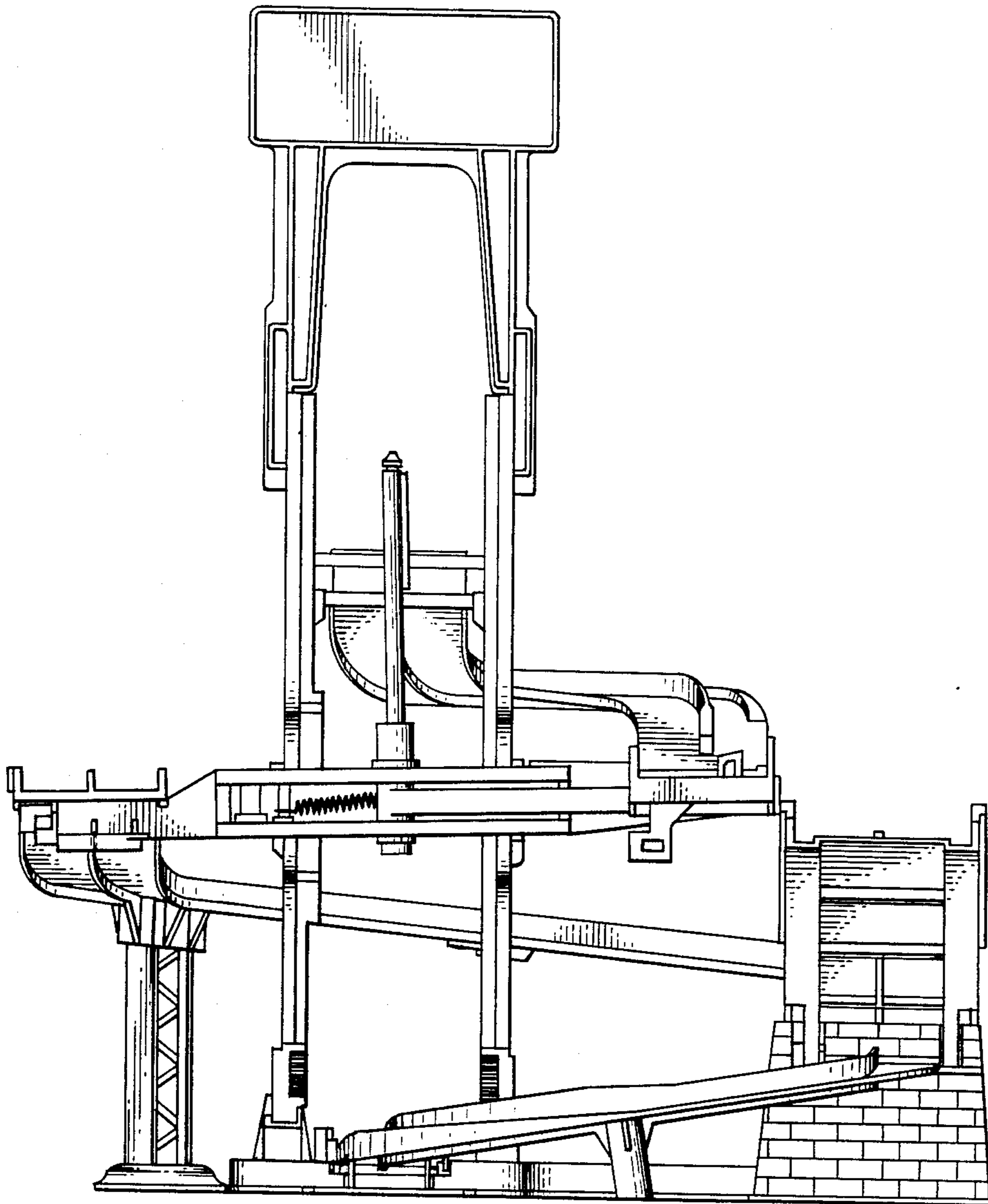


FIG. 6.

