

[54] TOY VEHICLE

[75] Inventor: Yuji Kato, Tokyo, Japan

[73] Assignee: Tomy Kogyo Co., Inc., Tokyo, Japan

[**] Term: 14 Years

[21] Appl. No.: 730,684

[22] Filed: Oct. 7, 1976

[51] Int. Cl. D21-01

[52] U.S. Cl. D34/15 AJ; D34/15 HR

[58] Field of Search D34/15 AJ, 15 HS, 15 HR,
D34/15 AT, 15 AM; 46/201, 202, 206, 210,
213; 280/87.01, 87.02 R

[56] References Cited

U.S. PATENT DOCUMENTS

- D. 200,789 4/1965 Davey D34/15 AJ
- D. 222,284 10/1971 Walker D34/15 AJ

D. 227,130 6/1973 Pavolko D34/15 AJ

OTHER PUBLICATIONS

British Plastics, 7-1953, p. 258, toy space ship at #1.

Primary Examiner—Joel Stearman

Assistant Examiner—C. A. Rademaker

Attorney, Agent, or Firm—James D. Halsey, Jr.

[57] CLAIM

The ornamental design for a toy vehicle, as shown.

DESCRIPTION

FIG. 1 is a front elevational view of a toy vehicle showing my new design;

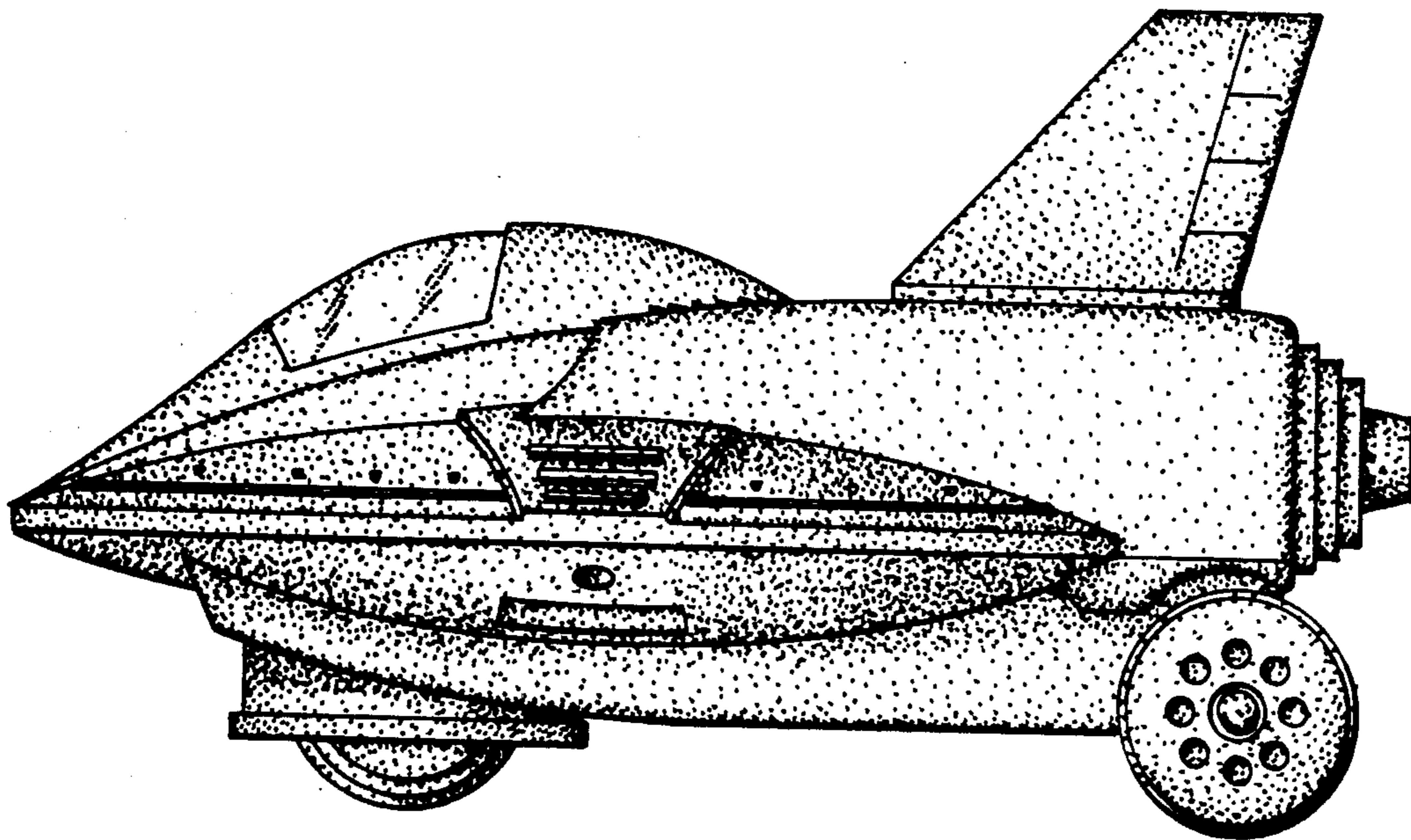
FIG. 2 is a right side elevational view thereof;

FIG. 3 is a left side elevational view thereof;

FIG. 4 is a rear elevational view thereof;

FIG. 5 is a top plan view thereof; and

FIG. 6 is a bottom plan view thereof.



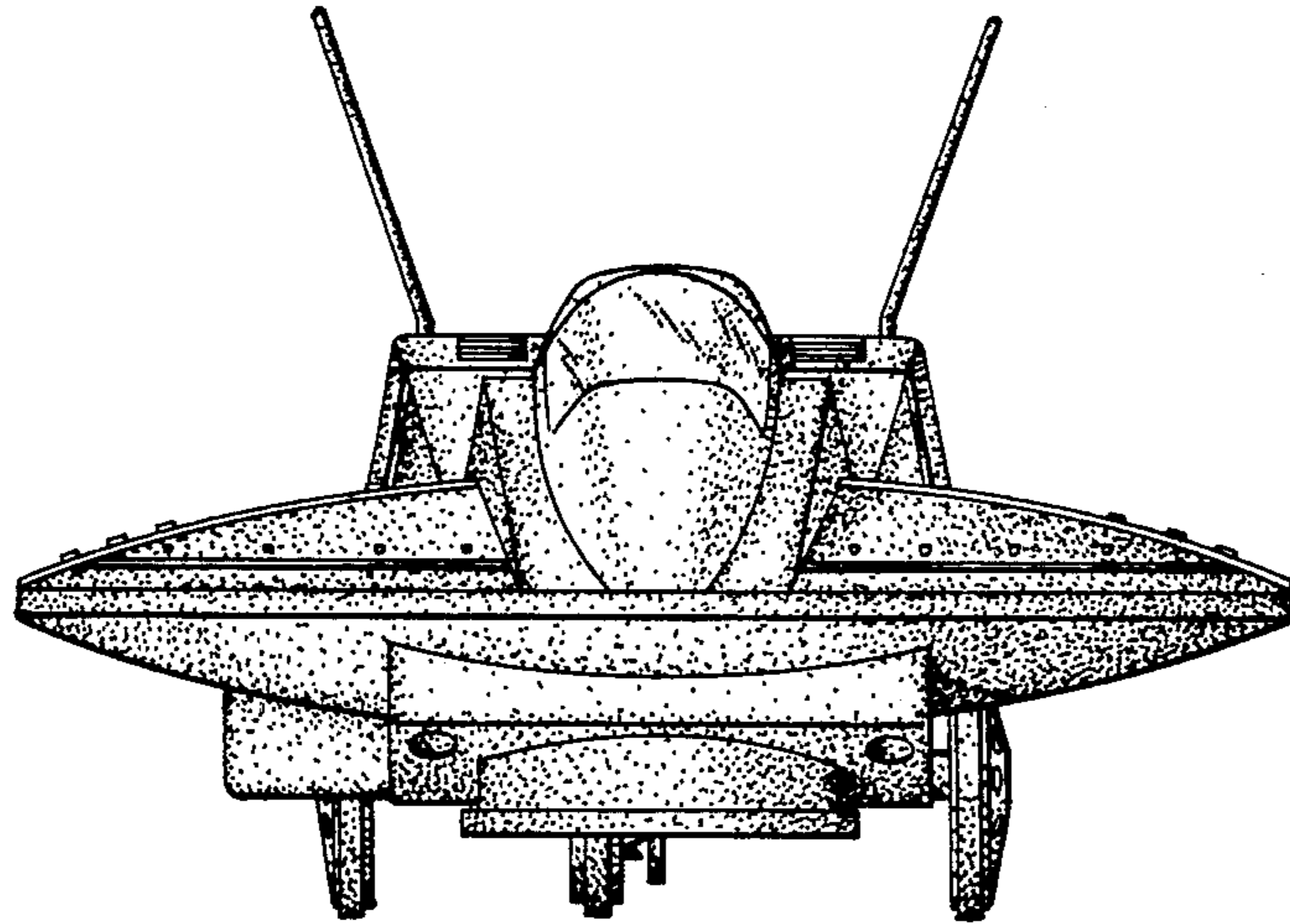


FIG. 1

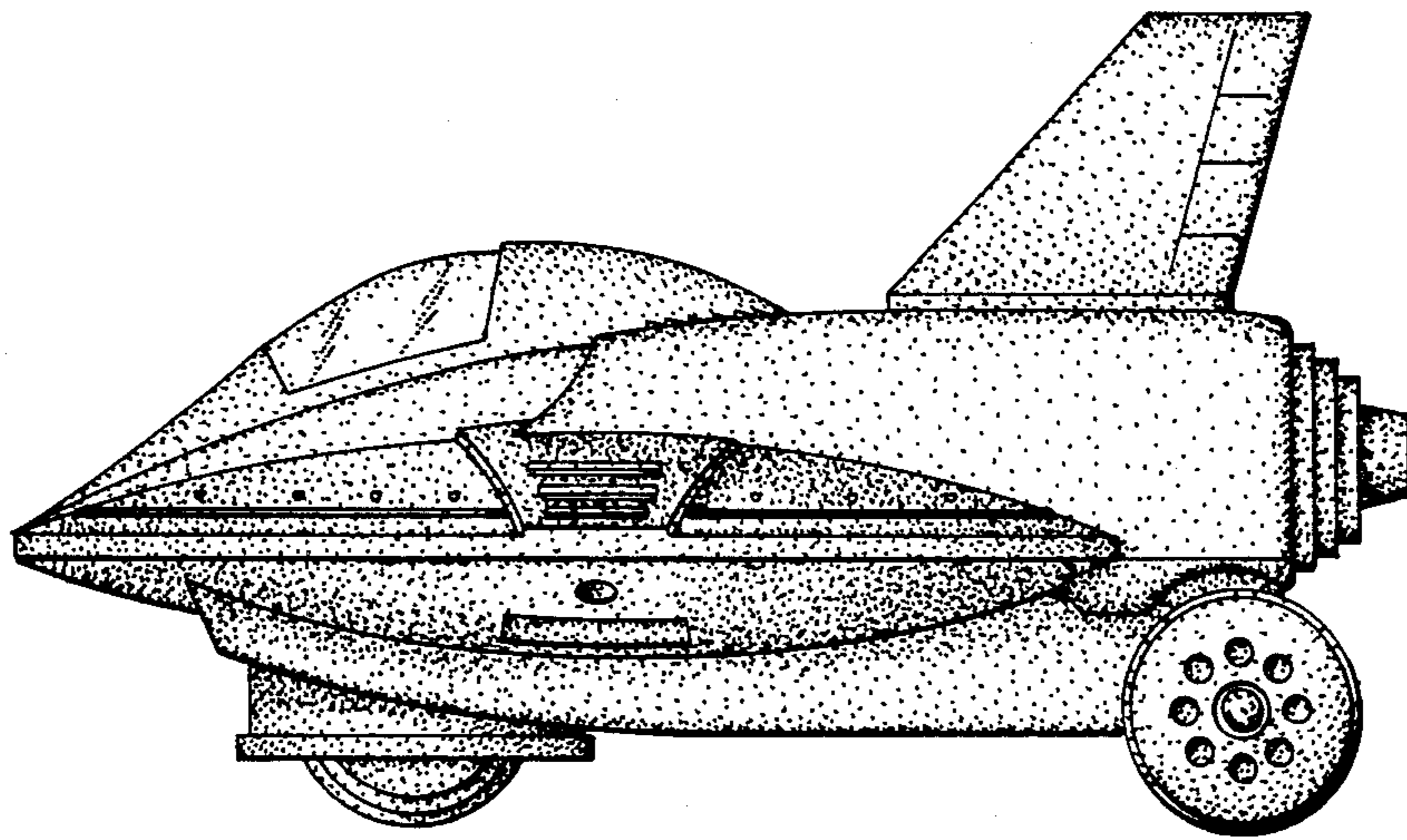


FIG. 2

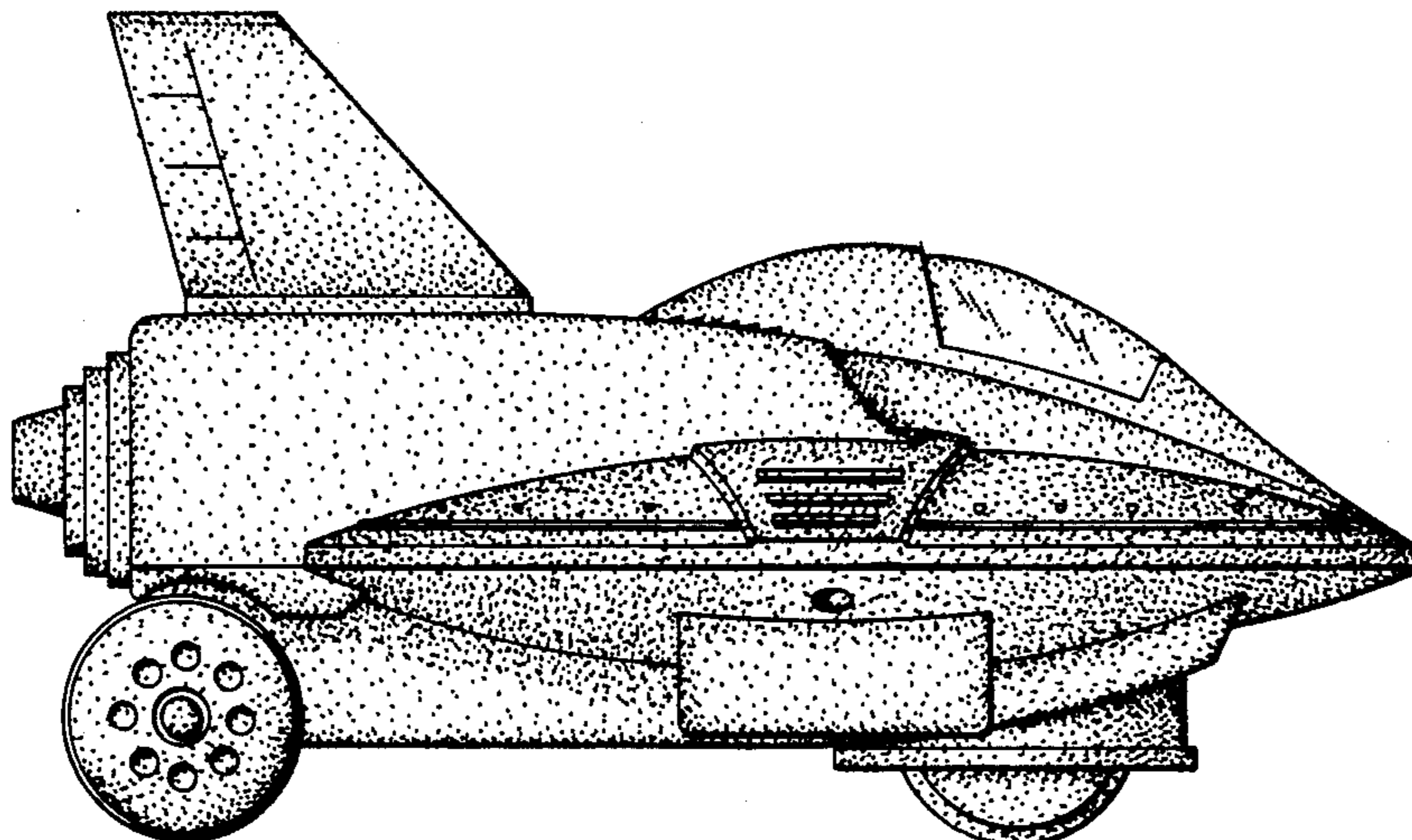


FIG. 3

FIG. 4

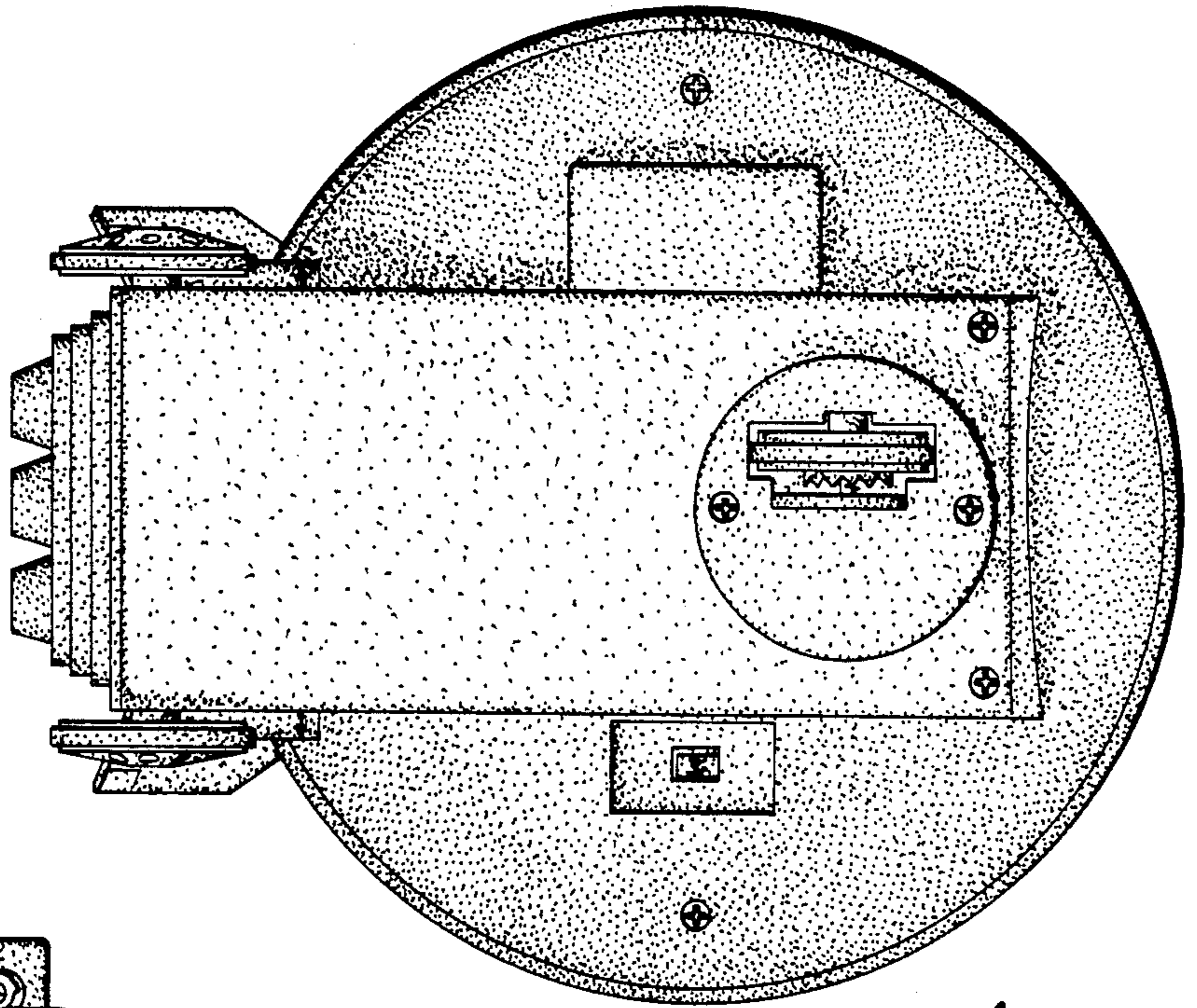
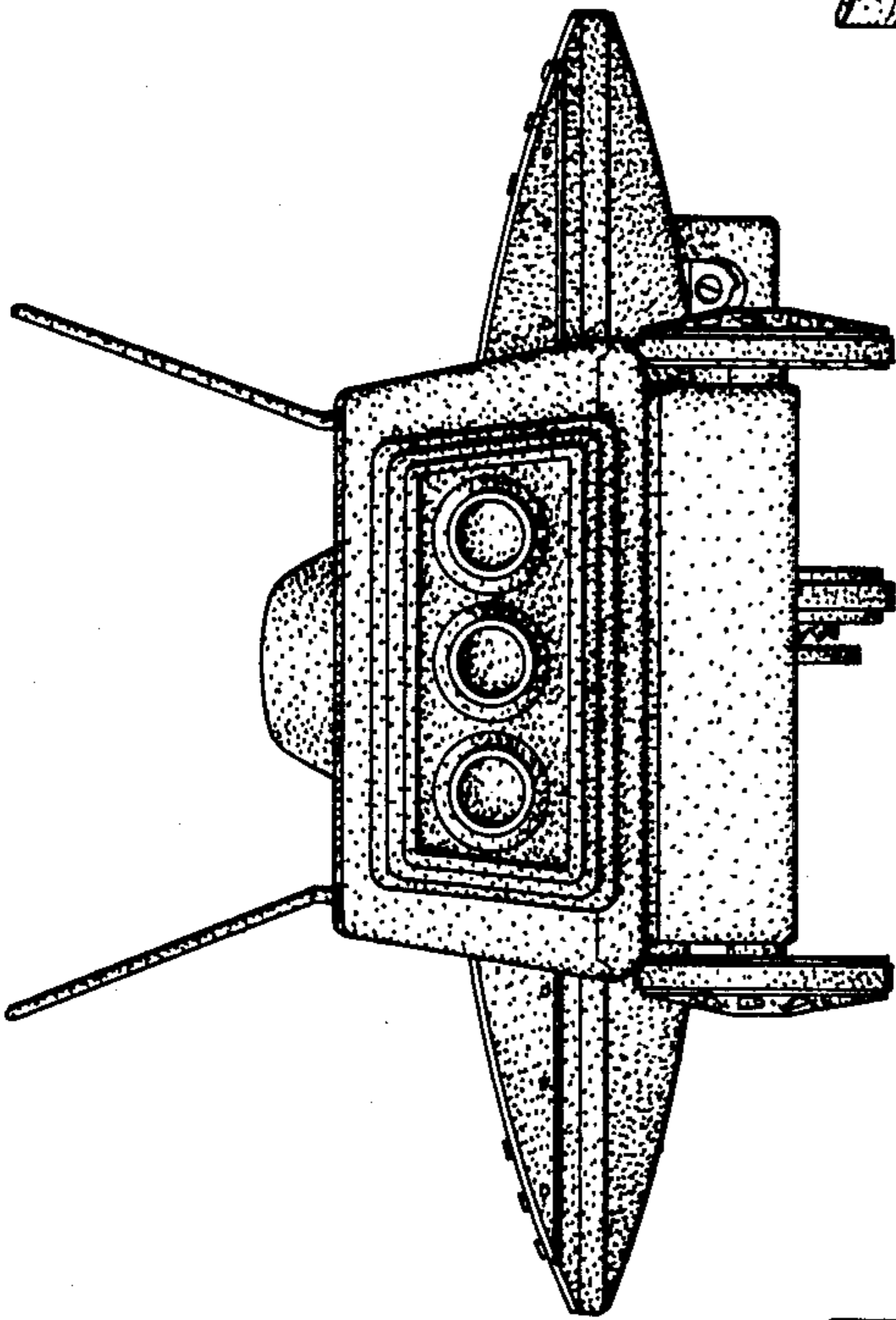


FIG. 6

