

[54] SURGICAL INSTRUMENT TRAY

[75] Inventors: **Tore Alexander Forsman, Sveavägen; Christer Odvik, Djursholm, both of Sweden**

[73] Assignees: **Toringe Consult AB, Saltsjöbaden; Christer Odvik AB, Djursholm, both of Sweden**

[**] Term: **14 Years**

[21] Appl. No.: **674,272**

[22] Filed: **Apr. 6, 1976**

[30] Foreign Application Priority Data

Oct. 7, 1975 [SE] Sweden 7500201

[51] Int. Cl. **D24-04**

[52] U.S. Cl. **D24/31; D24/32; D9/187**

[58] Field of Search **D9/187, 185, 186; 206/557, 562, 563, 564, 592, 591, 594, 561; D24/31**

[56] References Cited

U.S. PATENT DOCUMENTS

D. 204,113	3/1966	Cranfill et al.	D24/31
D. 204,258	4/1966	Barrantes et al.	D24/32
D. 221,908	9/1971	Berkowitz	D24/31
D. 226,266	2/1973	Rem et al.	D24/31
D. 227,180	6/1973	Brodsky	D24/32
D. 234,404	2/1975	Merrill	D24/31
3,304,219	2/1967	Nickerson	206/591
3,708,709	1/1973	Morrison et al.	206/561

Primary Examiner—Bernard Ansher
Attorney, Agent, or Firm—Robert Osann

[57] CLAIM

The ornamental design for a surgical instrument tray, as shown and described.

DESCRIPTION

FIG. 1 is a top perspective of a surgical instrument tray showing our new design; FIG. 2 is a bottom perspective thereof; FIG. 3 is a top perspective view of tray insert shown separately for clarity of illustration; FIG. 4 is a bottom perspective view thereof; FIG. 5 is a top perspective view of the tray insert shown separately for clarity of illustration; and FIG. 6 is a bottom perspective view thereof.

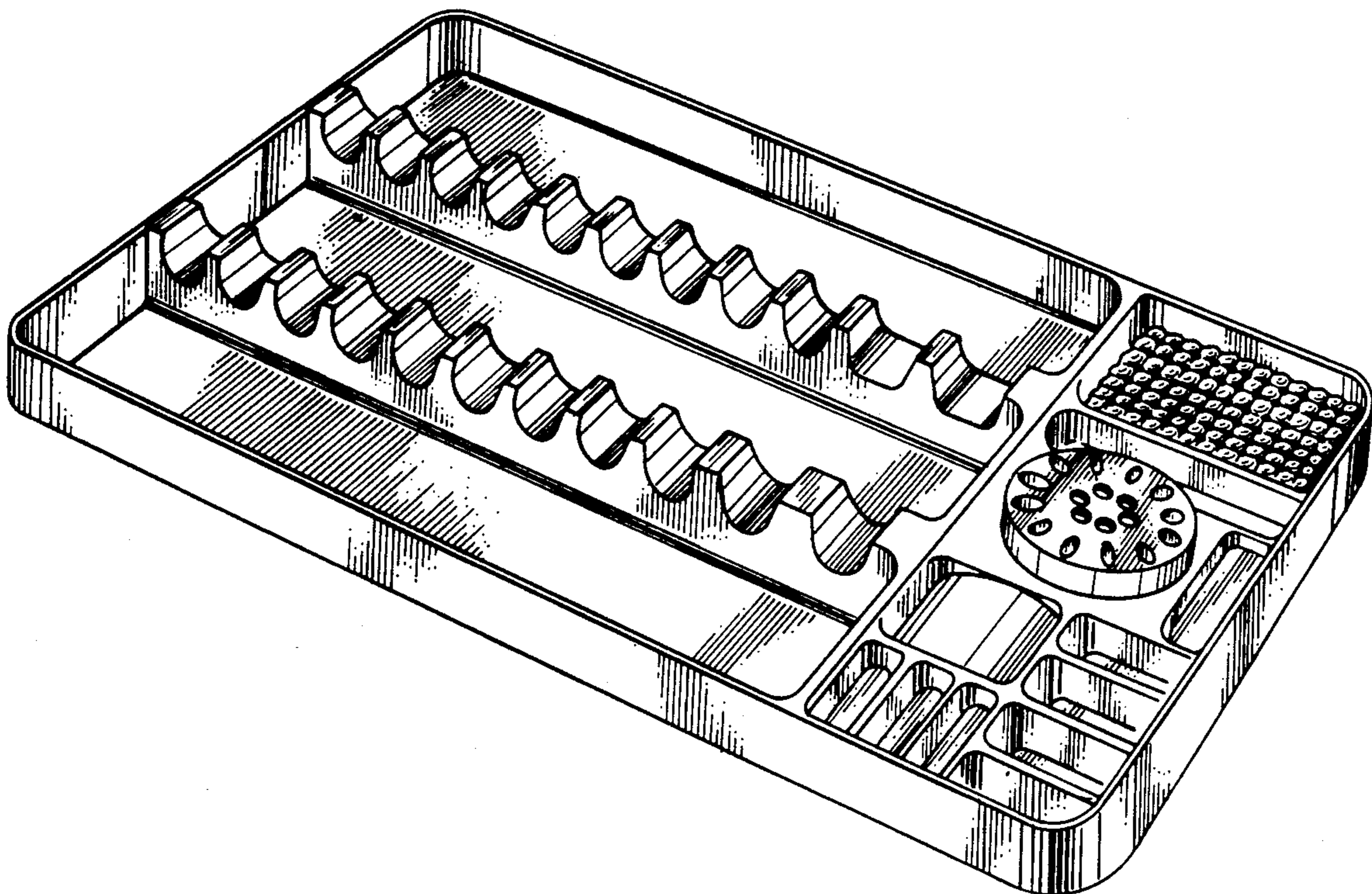


FIG. 1

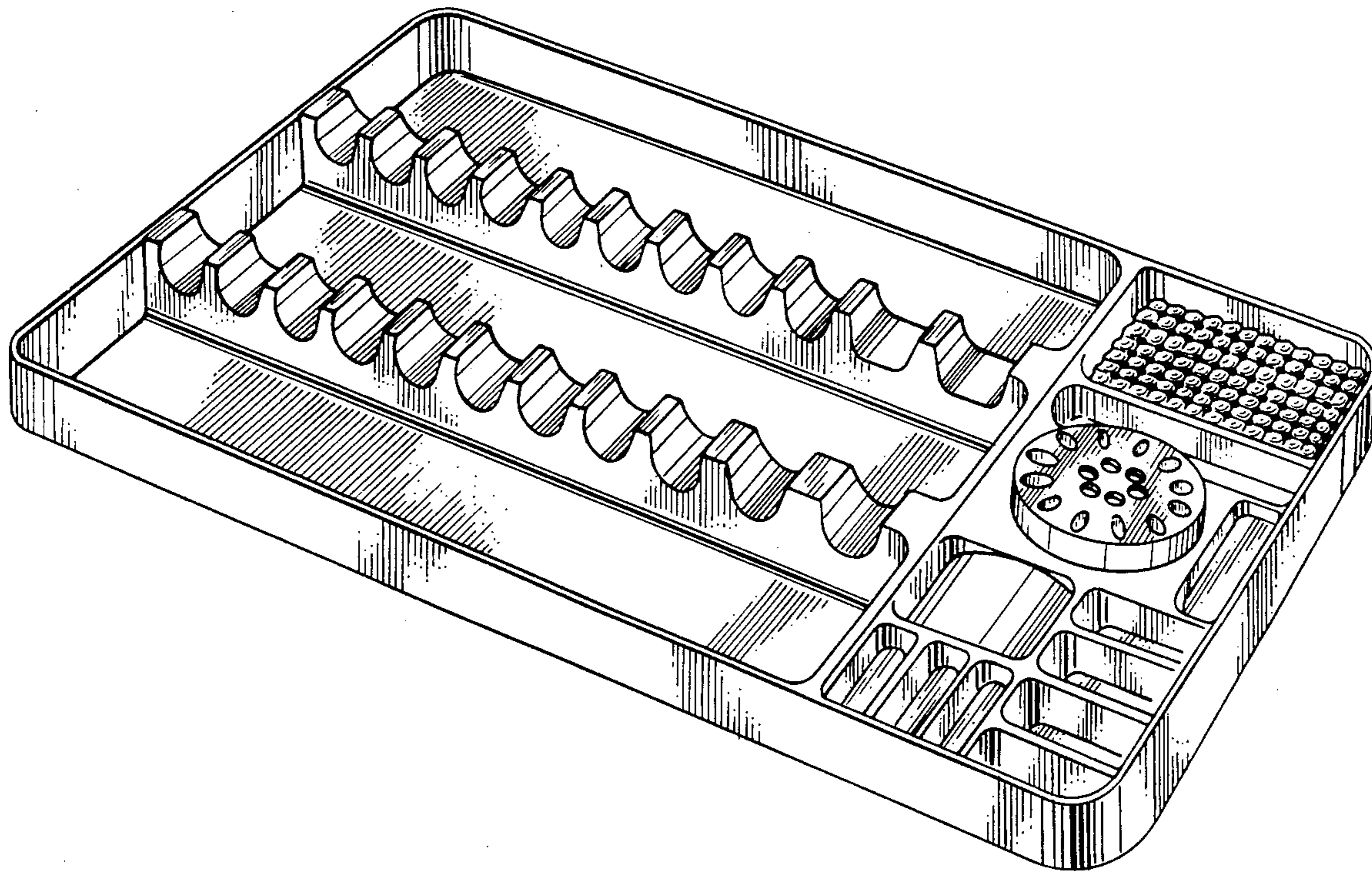


FIG. 2

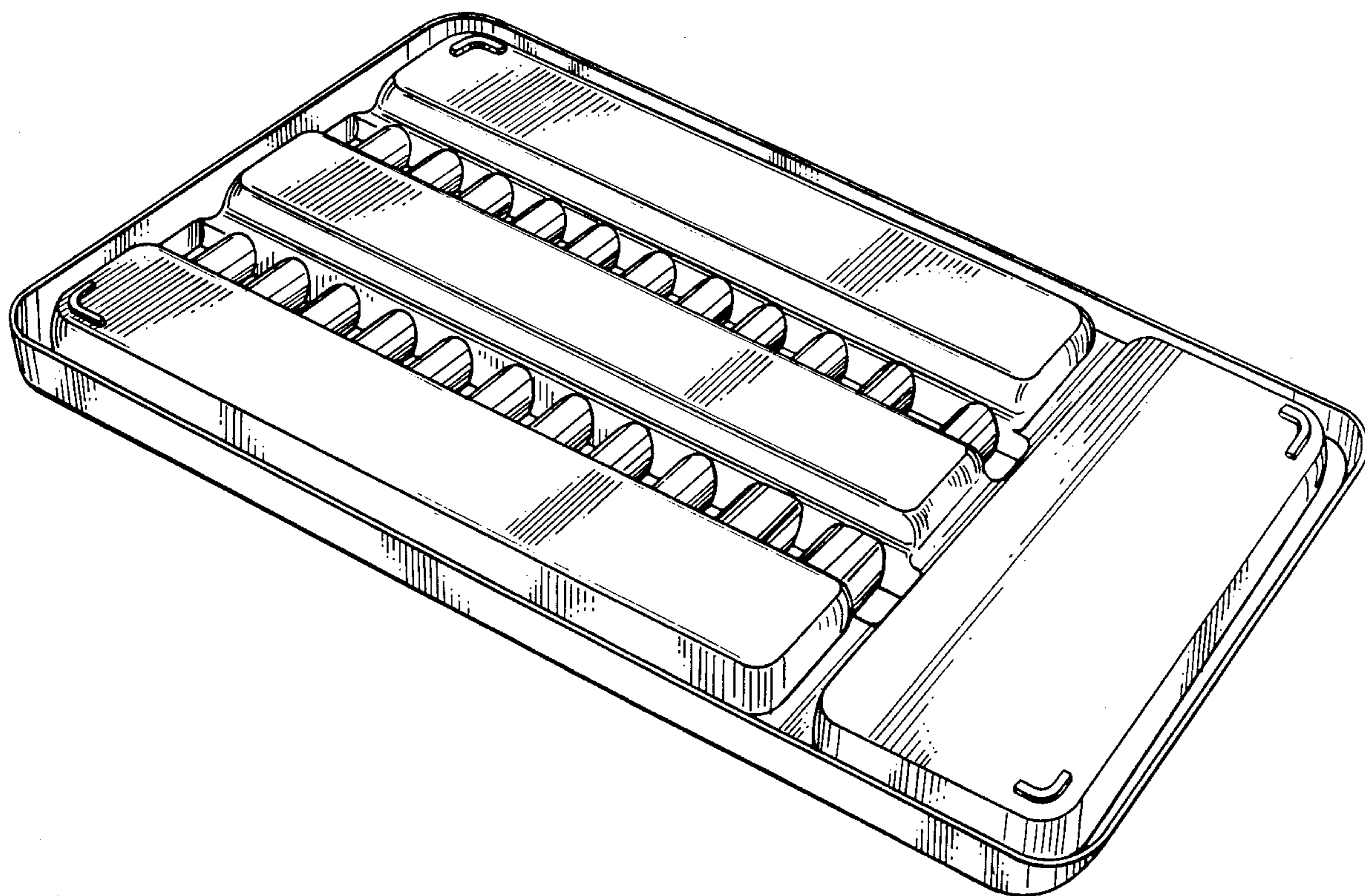


FIG. 3

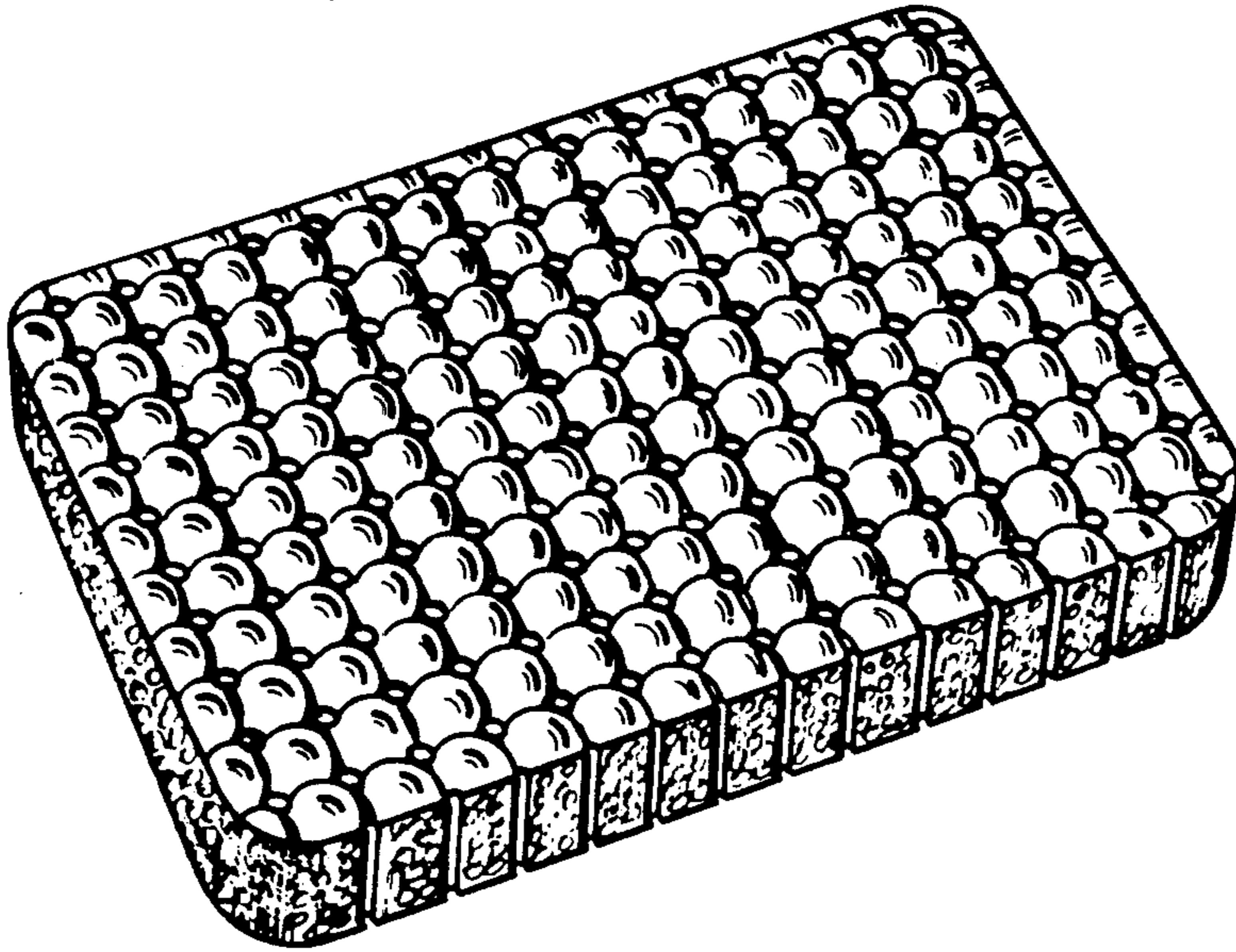


FIG. 4

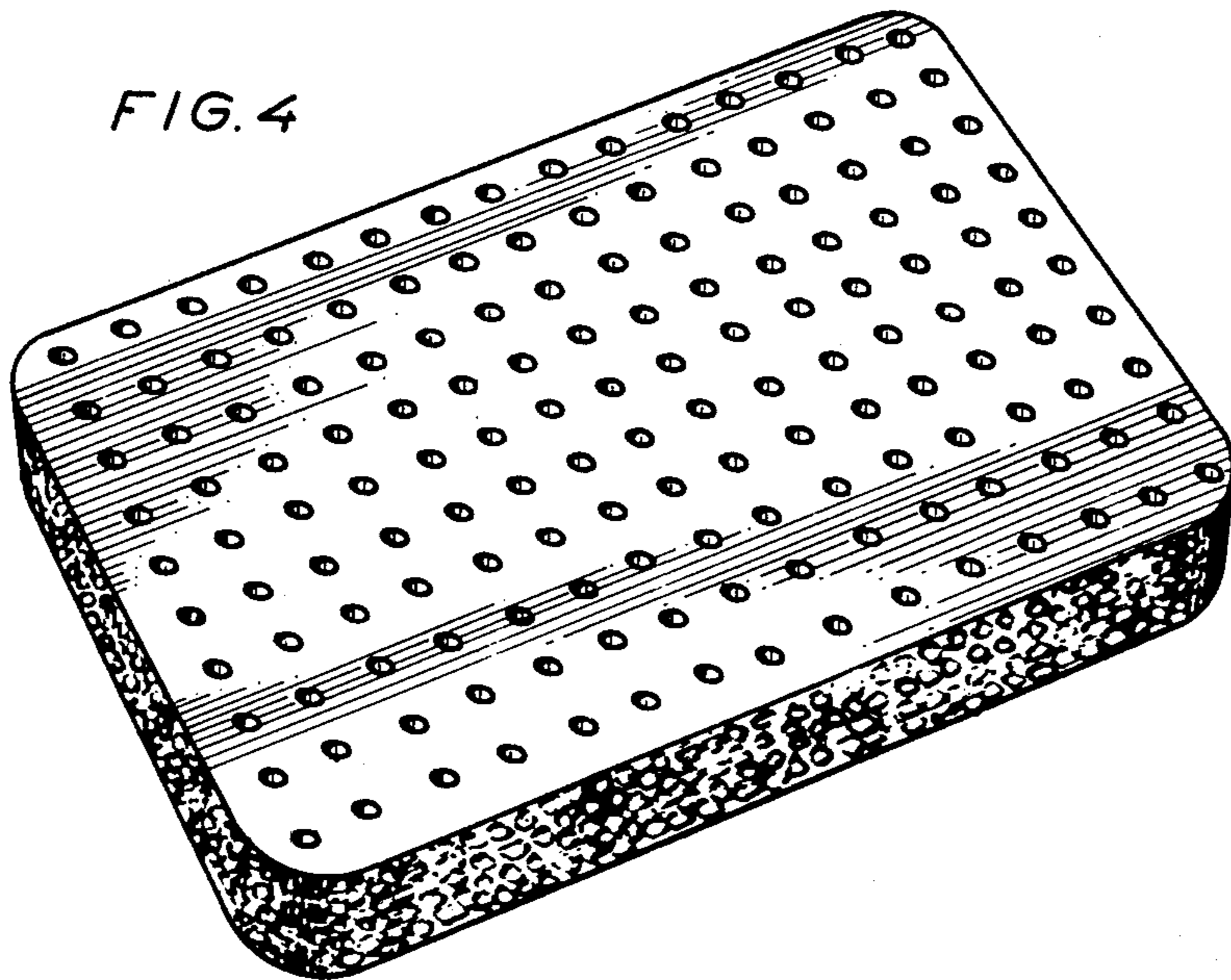


FIG. 5

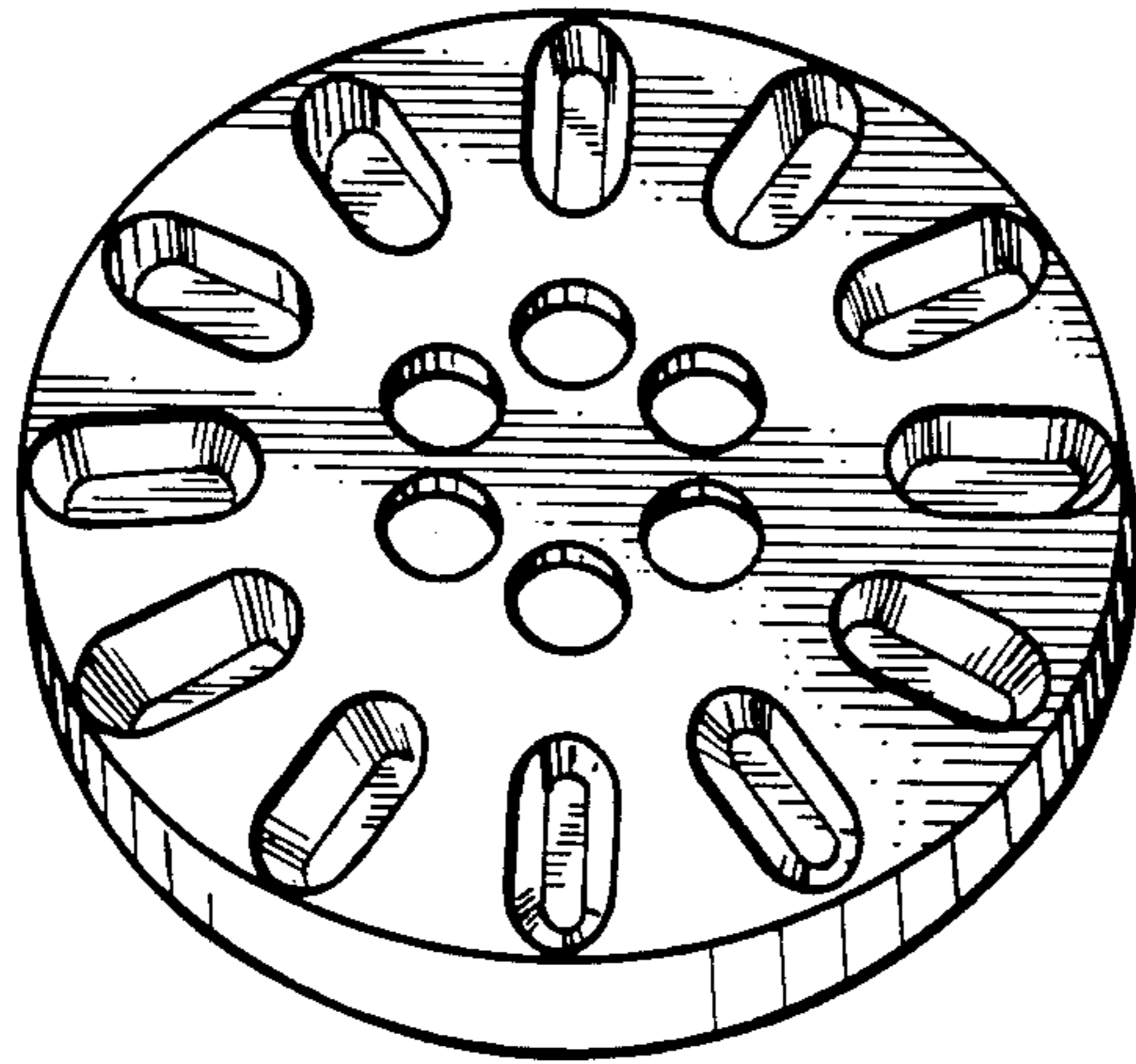


FIG. 6

