

[54] **COMBINED MEASURING AND DRAWING INSTRUMENT**

[76] Inventor: **Watson Yen**, 1525 N. Hayworth Ave., Apt. 301, Los Angeles, Calif. 90046

[**] Term: **14 Years**

[21] Appl. No.: **722,239**

[22] Filed: **Sep. 10, 1976**

[51] Int. Cl. **D19-06**

[52] U.S. Cl. **D19/36; D10/62; D19/38**

[58] Field of Search **D19/35-38, D19/40; D10/61, 62, 65, 68, 70-73; 33/27 B, 27 R**

[56] **References Cited**

U.S. PATENT DOCUMENTS

D. 192,748	5/1962	Brockman	D10/62
D. 194,242	12/1962	Robbins	D10/62
D. 229,224	11/1973	Gutowski et al.	D10/61
459,519	9/1891	Collins	D10/73
482,409	9/1892	Mildrum	D10/73
2,505,437	4/1950	Skolnick	33/27 B

FOREIGN PATENT DOCUMENTS

19,782 7/1899 Fed. Rep. of Germany 33/27 B

OTHER PUBLICATIONS

C-Thru Ruler Co. Cat. ©1967, p. 28, top right.

Primary Examiner—Joel Stearman

Assistant Examiner—George P. Word

Attorney, Agent, or Firm—Joseph A. De Grandi

[57] **CLAIM**

The ornamental design for a combined measuring and drawing instrument, as shown and described.

DESCRIPTION

FIG. 1 is a top plan view of a combined measuring and drawing instrument showing my new design with the legs in a partially open position;

FIG. 2 is a right side elevational view thereof;

FIG. 3 is a top plan view thereof with the legs in a closed position;

FIG. 4 is a left side elevational view thereof;

FIG. 5 is a bottom plan view thereof;

FIG. 6 is a rear elevational view thereof; and

FIG. 7 is a front elevational view thereof.

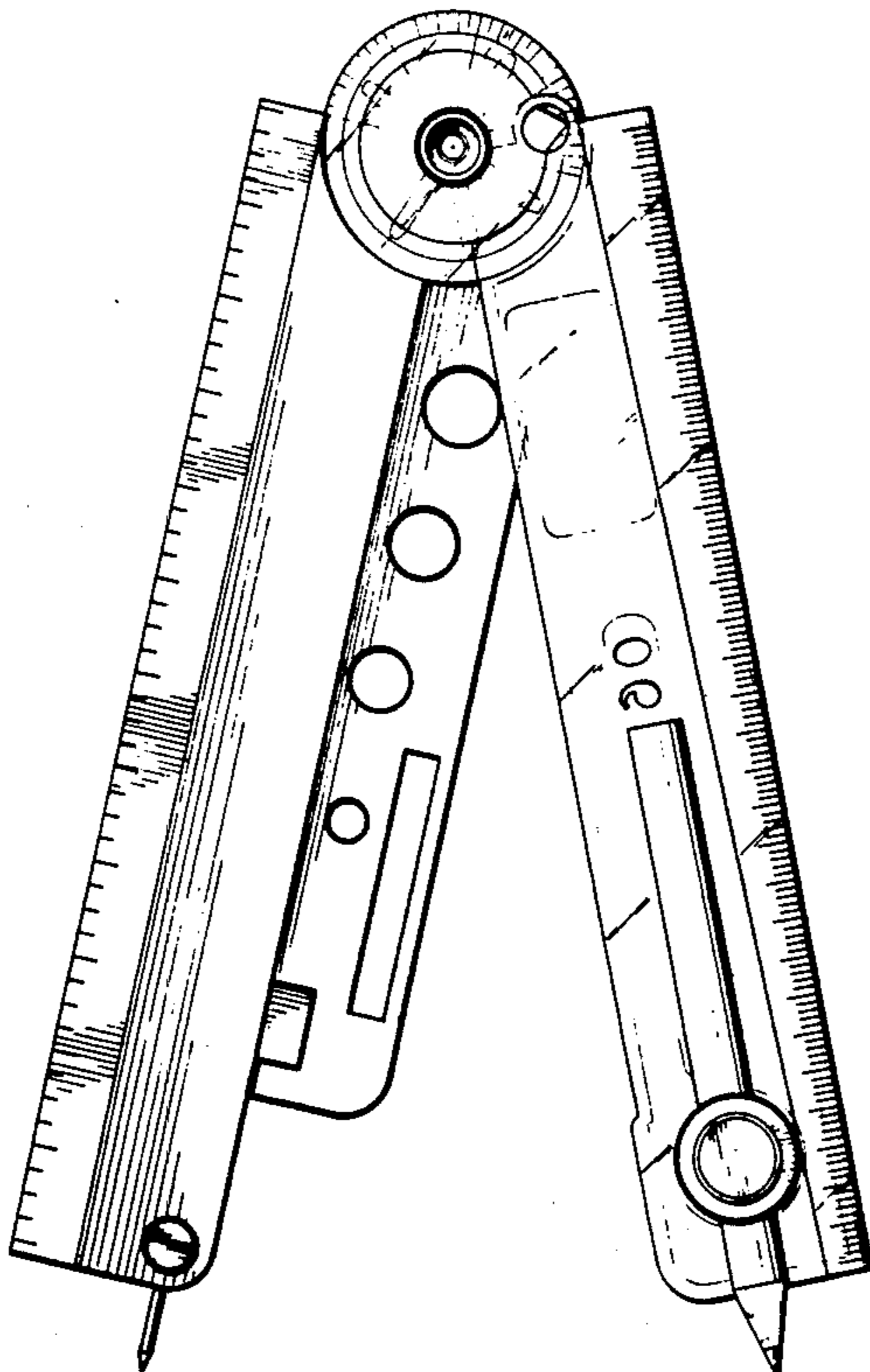


FIG. 3

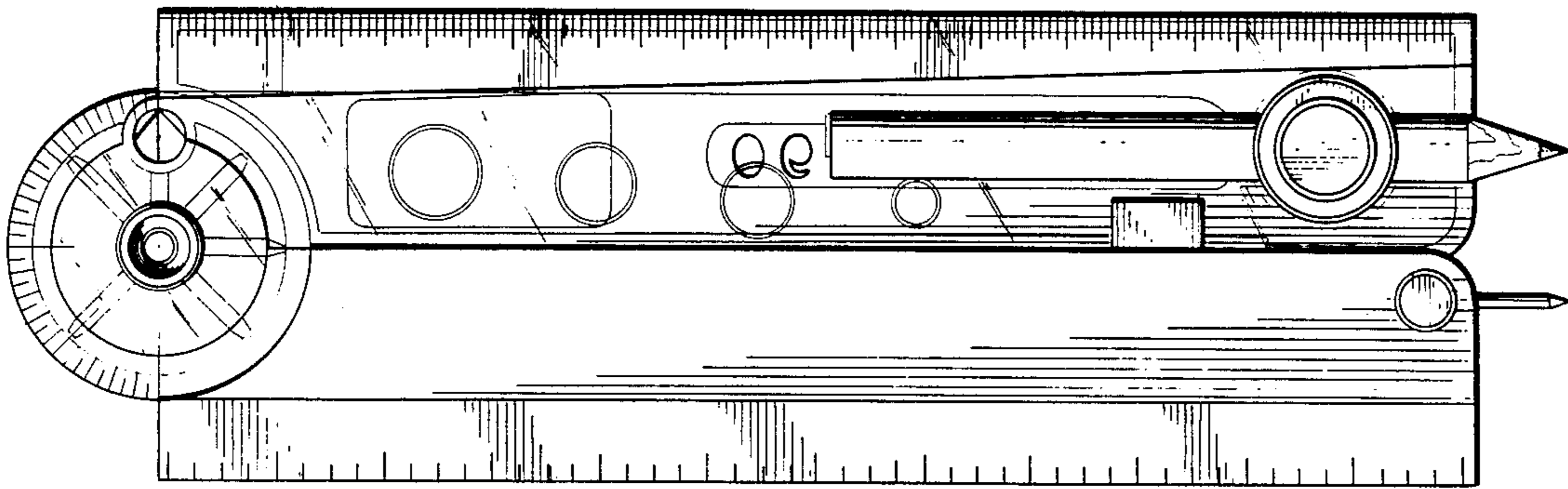


FIG. 2

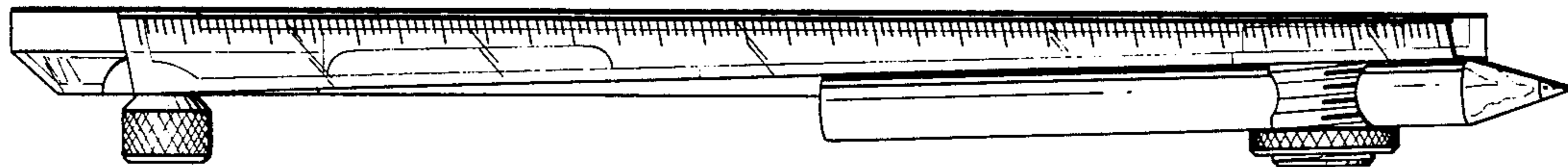


FIG. 1

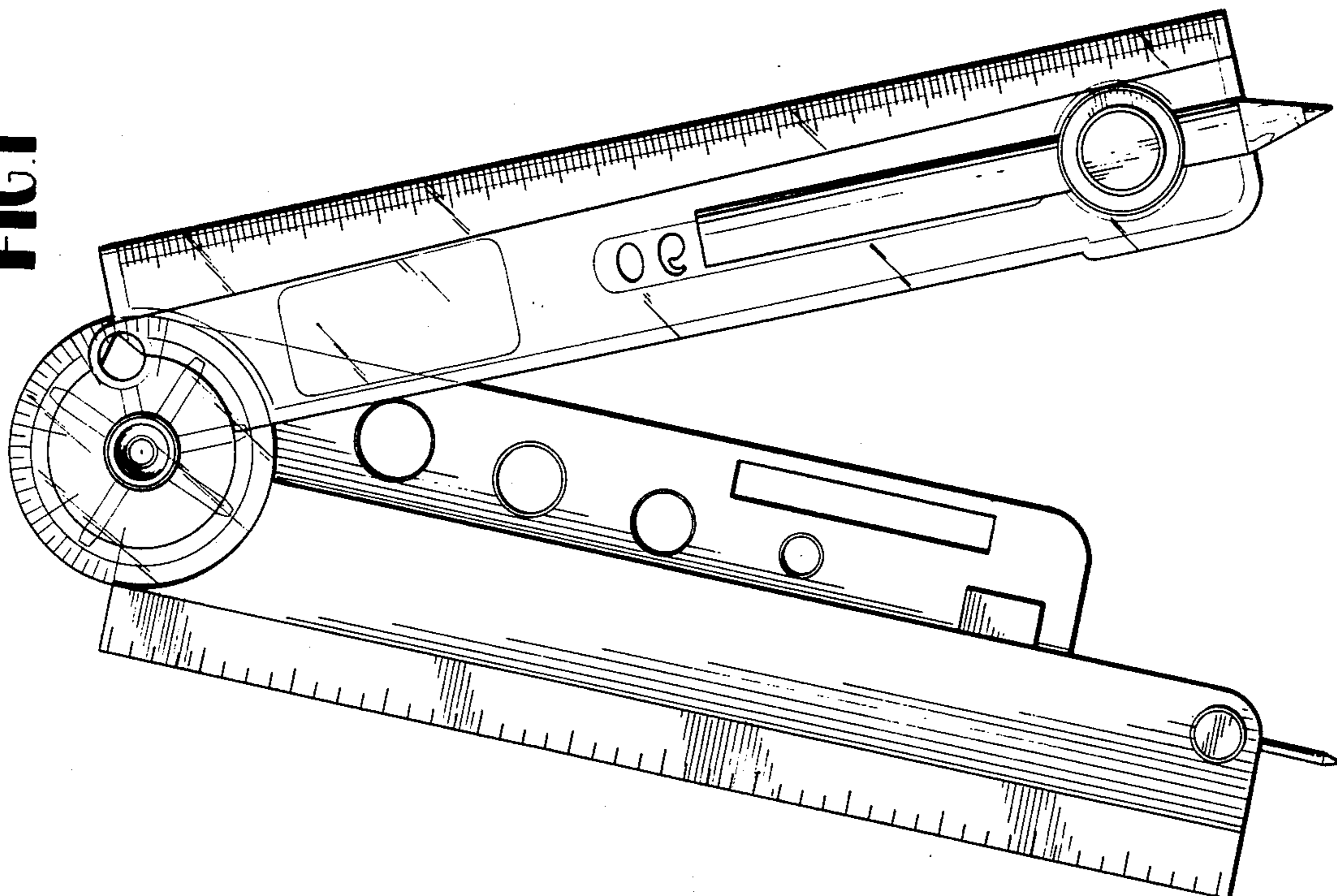


FIG. 5

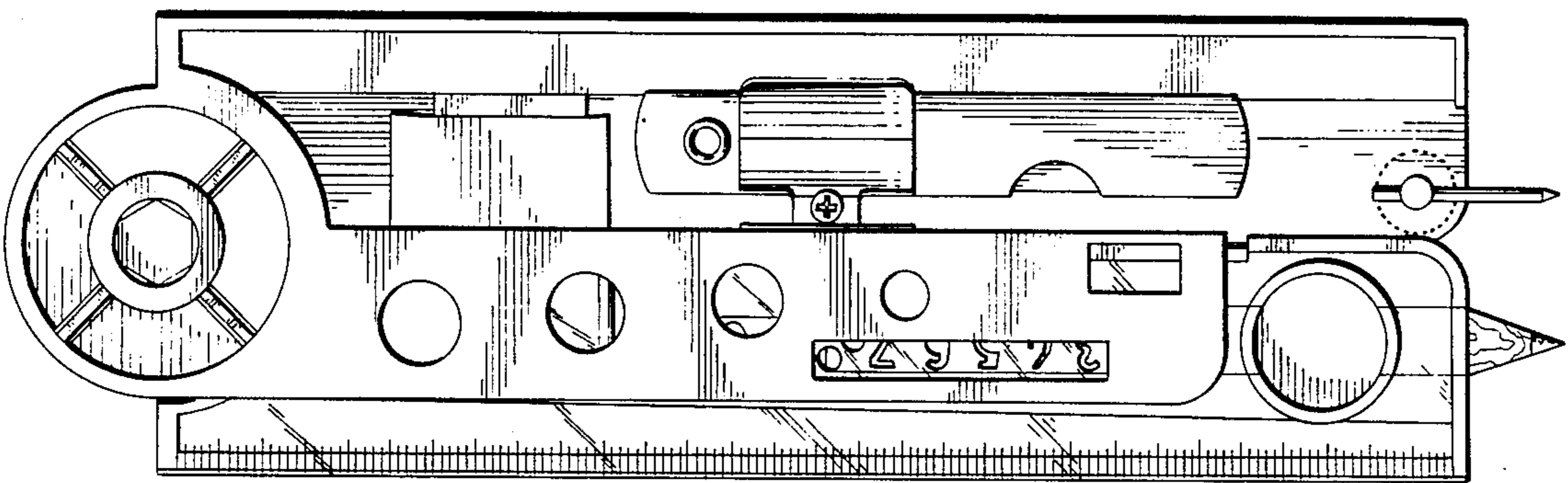


FIG. 4

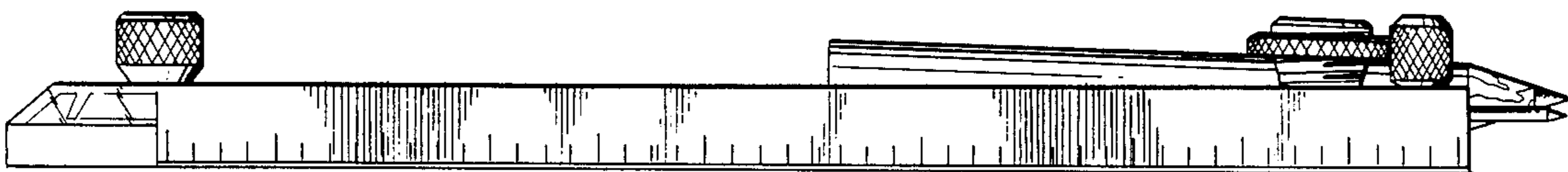


FIG. 6

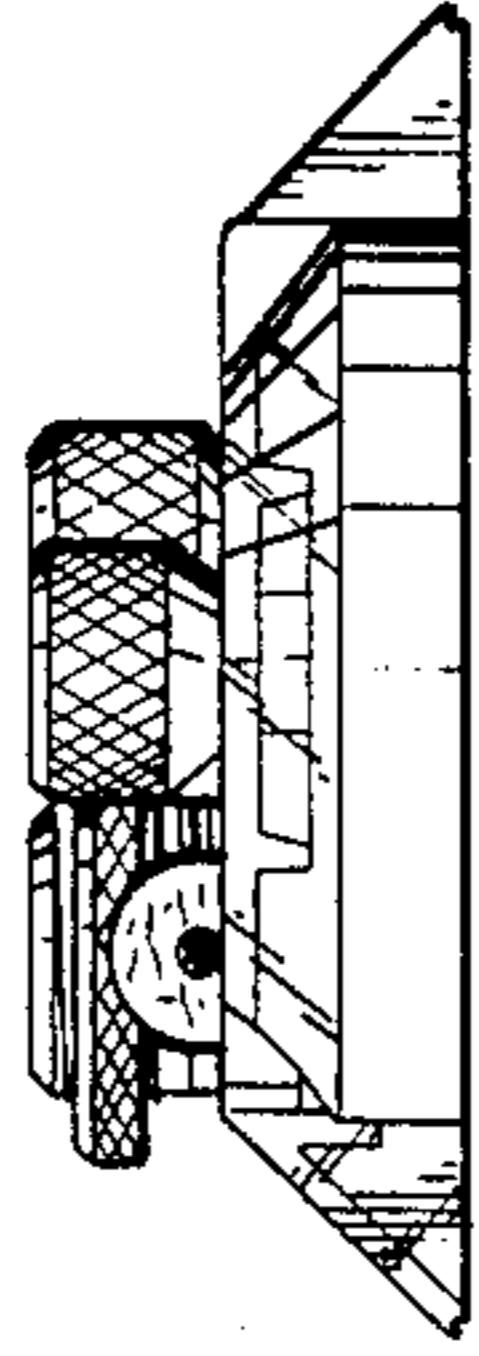


FIG. 7

