

[54] CAMERA

[75] Inventor: Hiroshi Fukuda, Tokyo, Japan

[73] Assignee: Fuji Photo Film Co., Ltd., Minami-ashigara, Japan

[\*\*] Term: 14 Years

[21] Appl. No.: 761,035

[22] Filed: Jan. 21, 1977

[30] Foreign Application Priority Data

Jul. 20, 1976 [JP] Japan ..... 51-28259

[51] Int. Cl. .... D16-01

[52] U.S. Cl. .... D16/06

[58] Field of Search ..... D16/1, 6, 7, 8, 9, 10; 354/83, 126, 129, 142, 145, 152, 170, 174, 202, 288

[56] References Cited

U.S. PATENT DOCUMENTS

D. 242,447 11/1976 Conner et al. .... D16/1  
D. 244,686 6/1977 Hansen ..... D16/6

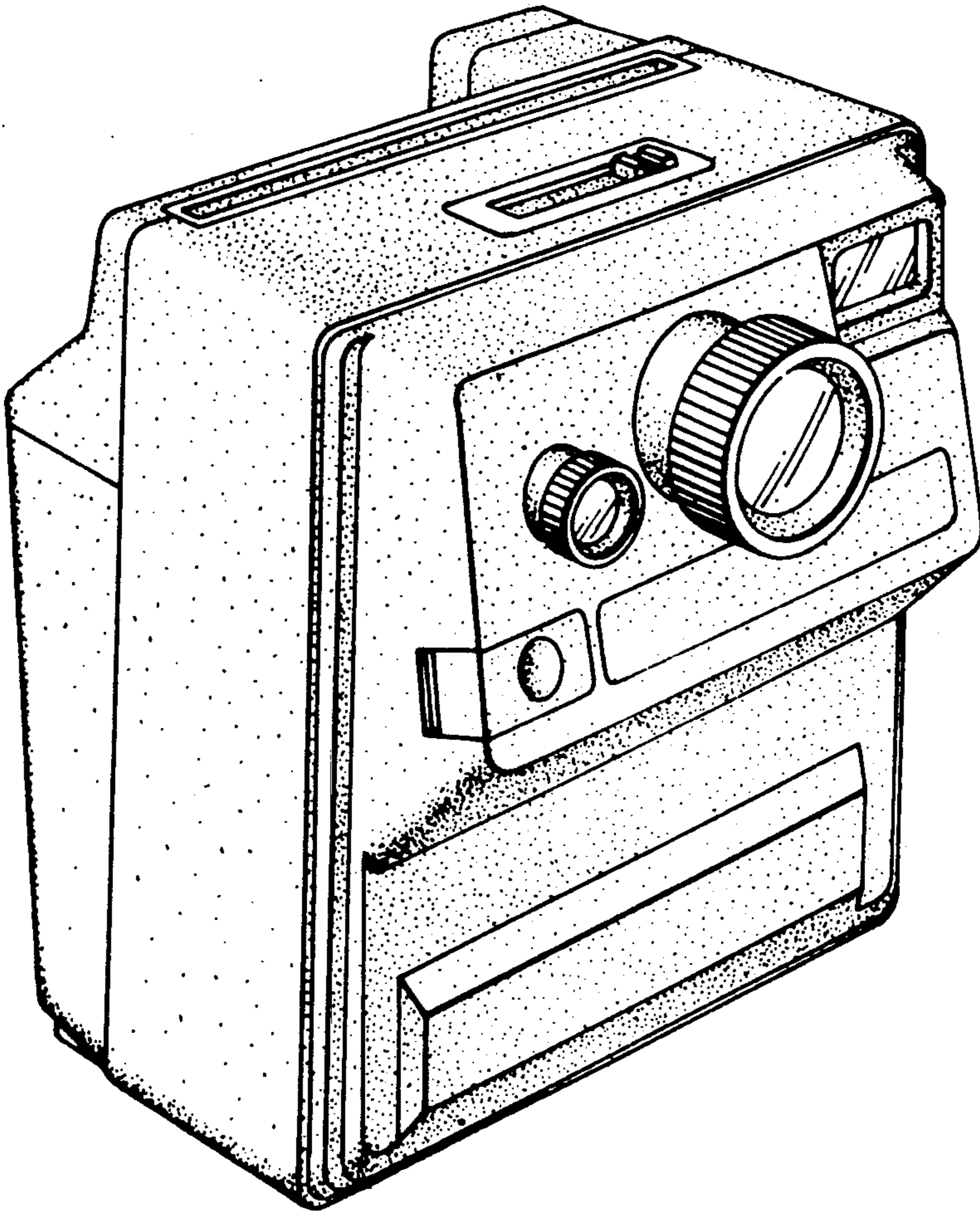
Primary Examiner—Wallace R. Burke  
Assistant Examiner—Catherine Kemper  
Attorney, Agent, or Firm—Richard C. Sughrue

[57] CLAIM

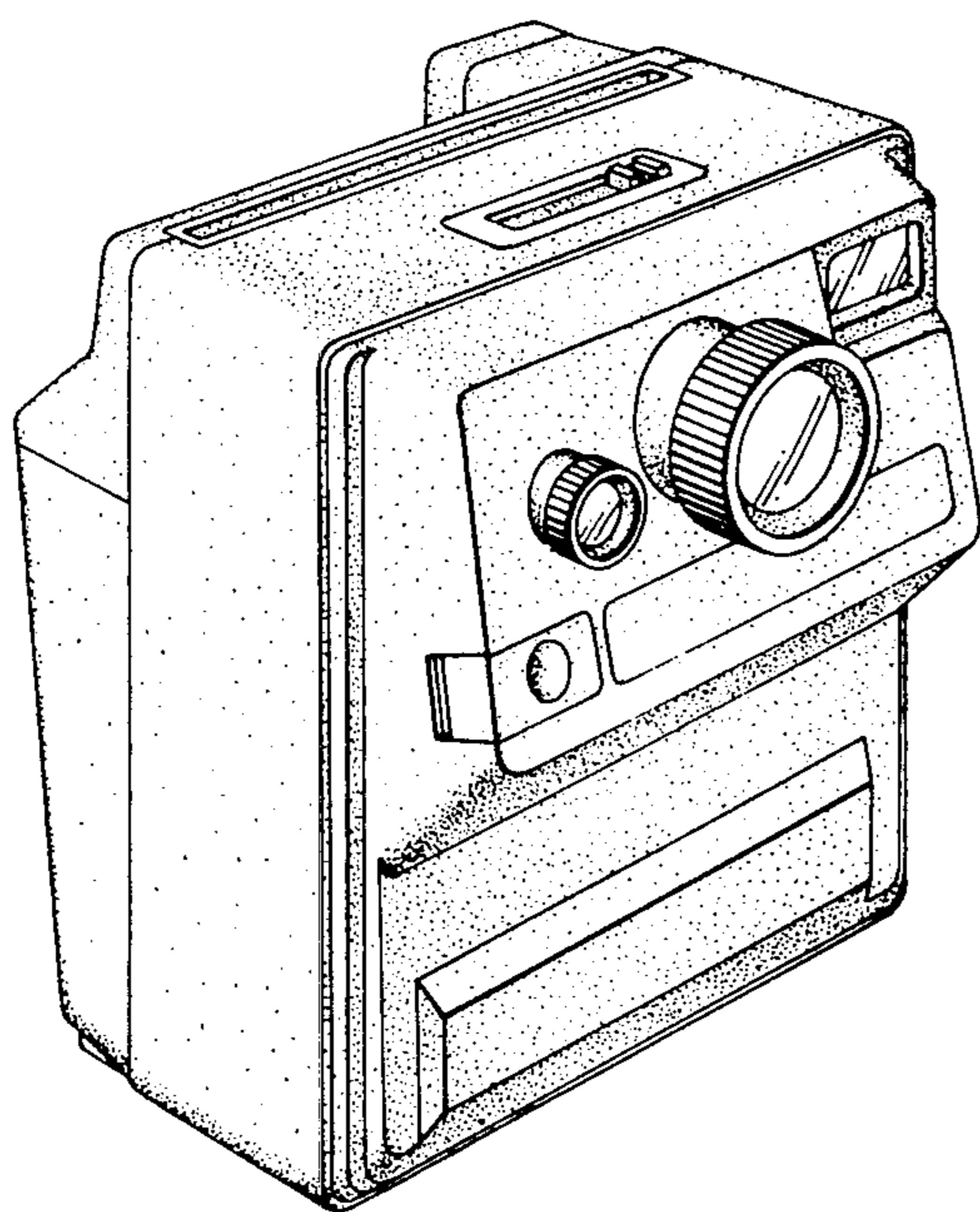
The ornamental design for a camera, as shown.

DESCRIPTION

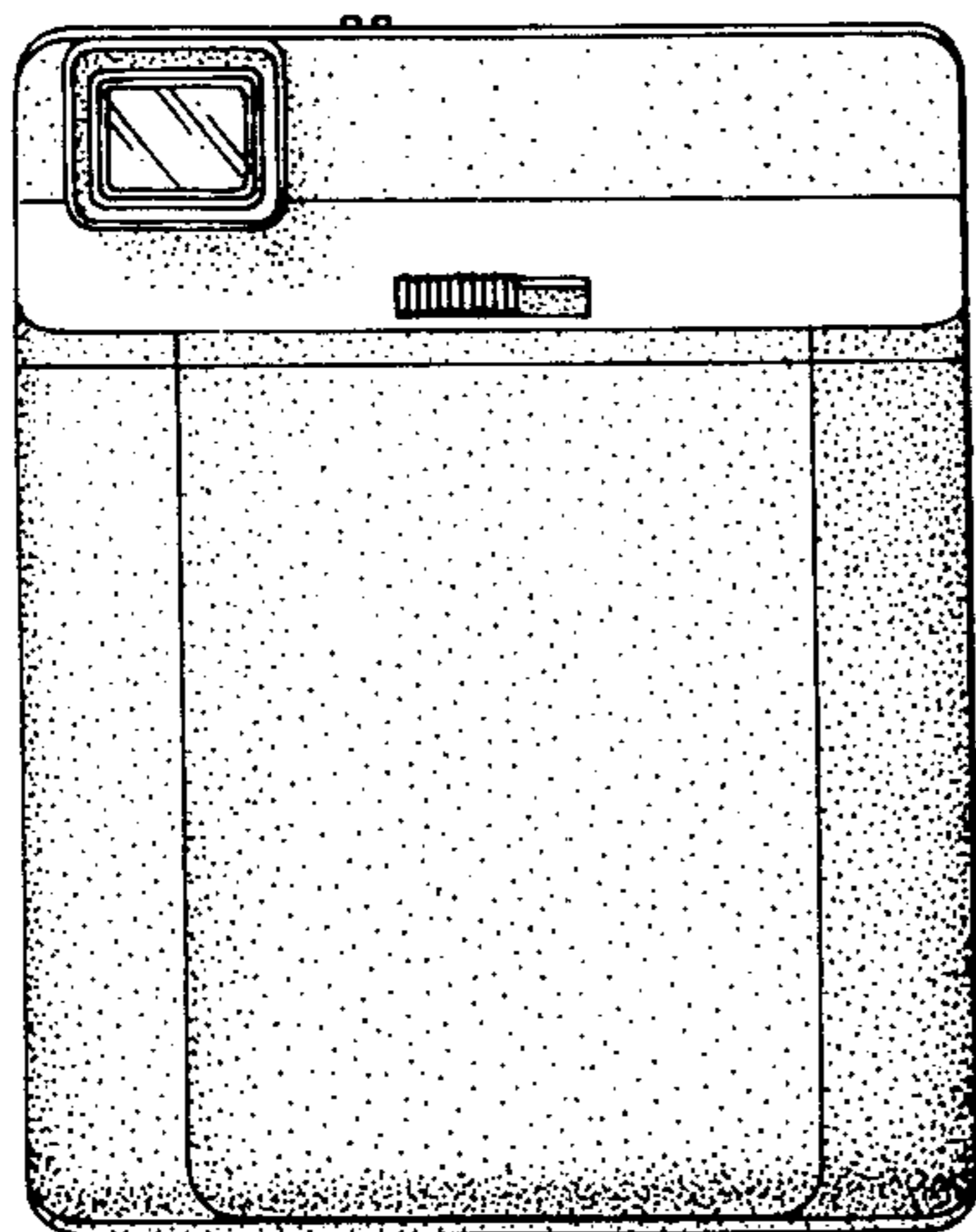
FIG. 1 is a front, top and left side perspective view of a camera showing my new design;  
FIG. 2 is a rear view thereof;  
FIG. 3 is a right side view thereof;  
FIG. 4 is a top plan view thereof;  
FIG. 5 is a left side view thereof;  
FIG. 6 is a front view thereof; and  
FIG. 7 is a bottom plan view thereof.



*FIG. 1*



*FIG. 2*



*FIG. 3*

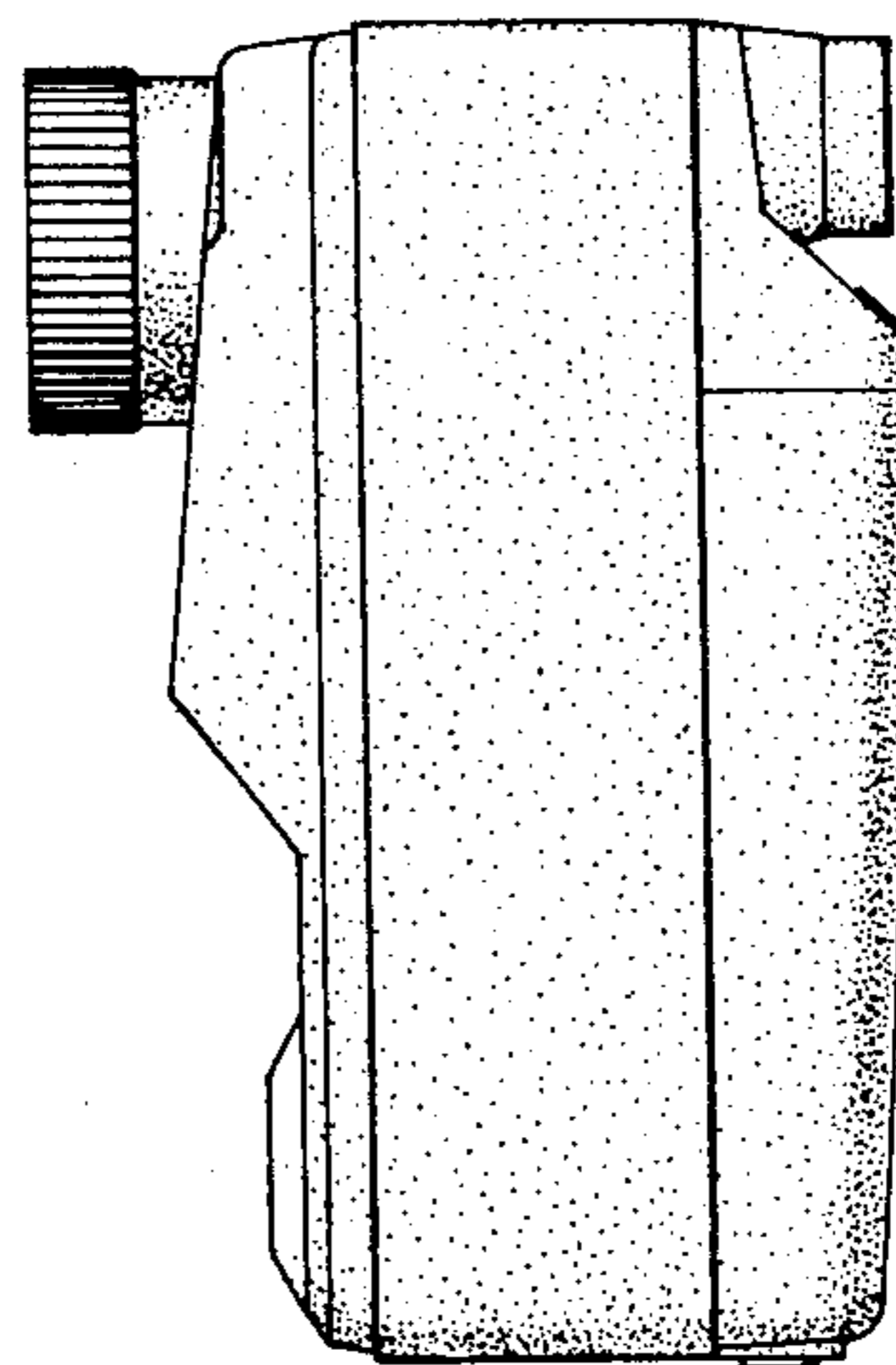


FIG. 4

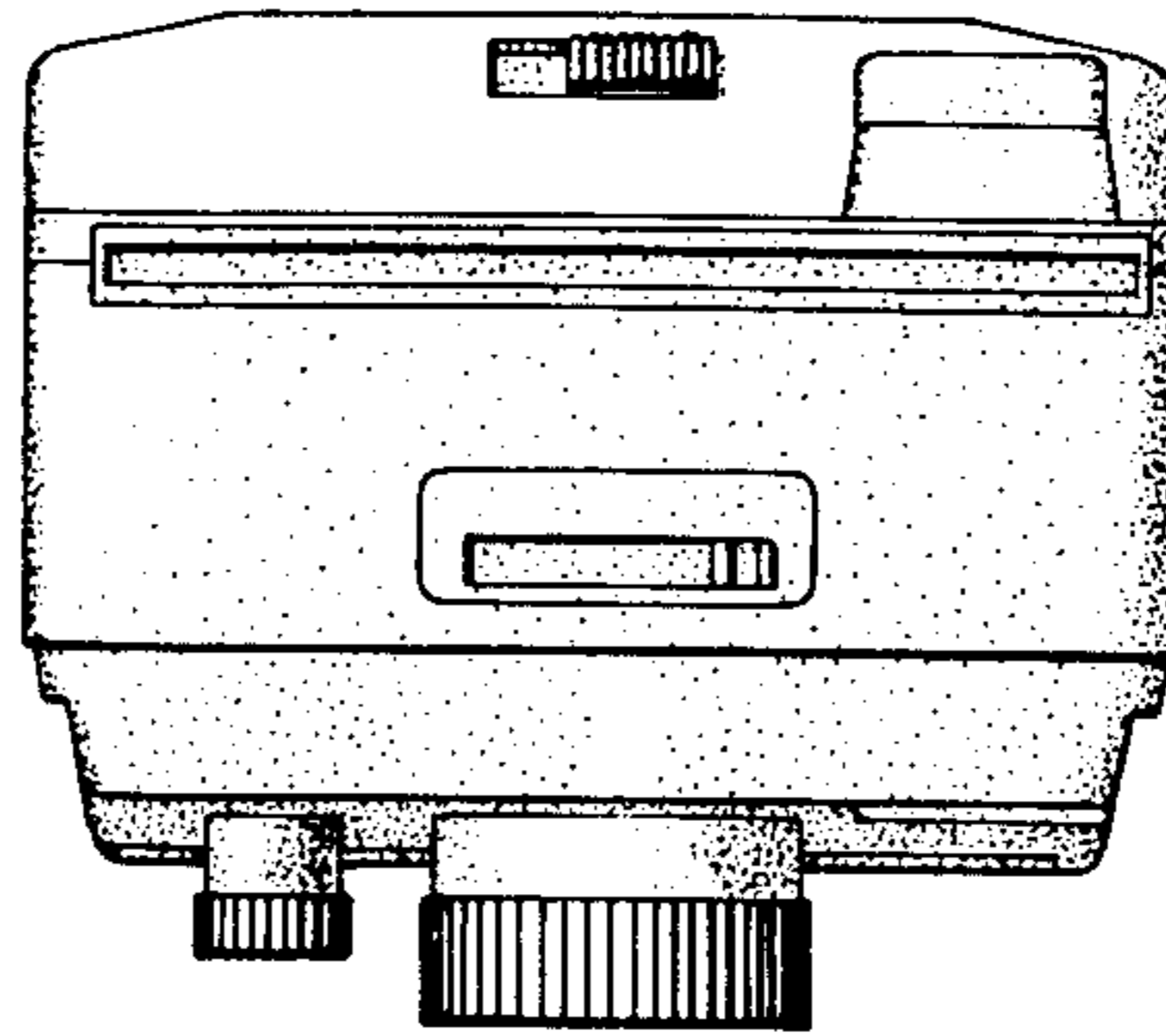


FIG. 5

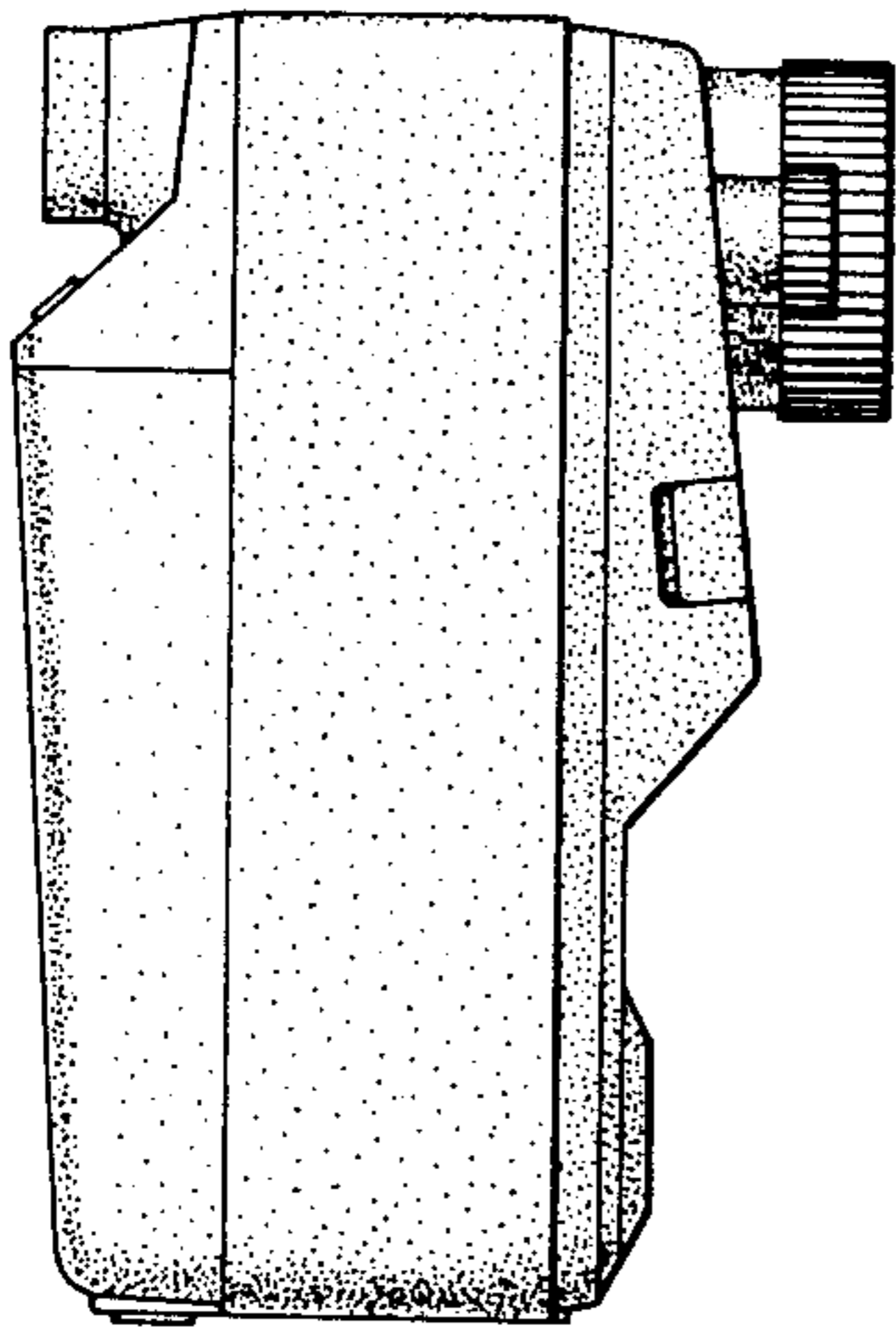


FIG. 6

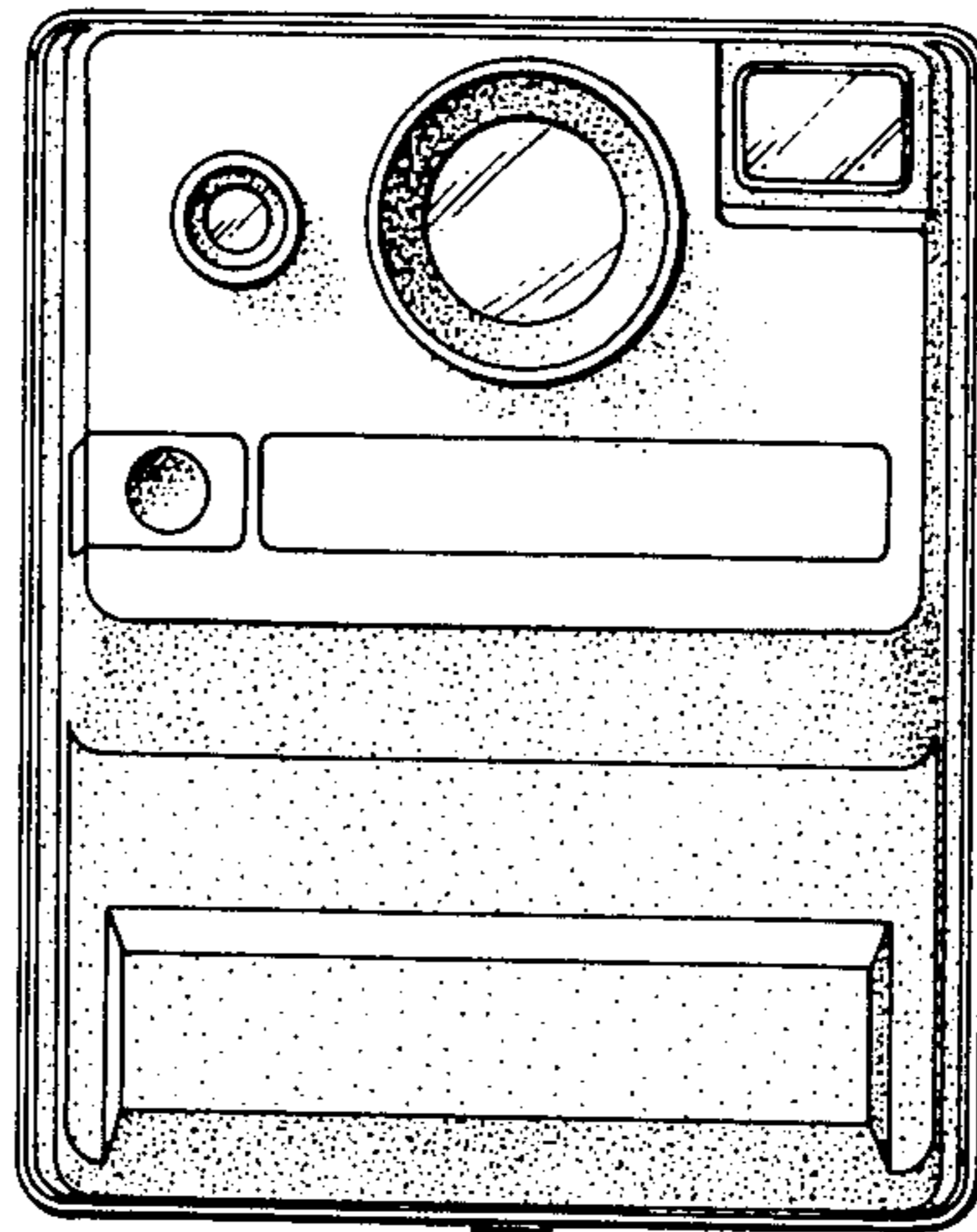


FIG. 7

