

[54] ELECTRICAL TERMINAL

[76] Inventor: John Ice-ton, Ewell Rd., Surbiton, Surrey, England

[\*\*] Term: 14 Years

[21] Appl. No.: 651,658

[22] Filed: Jan. 22, 1976

[51] Int. Cl. .... D13-03

[52] U.S. Cl. .... D13/24

[58] Field of Search .... D13/32-38, D13/39, 12, 24, 27, 28, 99; 339/276 T, 277 R

[56] References Cited

U.S. PATENT DOCUMENTS

D. 236,125	7/1975	Wiebe	.....	D13/34
1,955,695	4/1934	Veling	.....	339/276 T
3,899,238	8/1975	Vinje	.....	339/276 T X

FOREIGN PATENT DOCUMENTS

41,849	4/1959	Poland	.....	339/276 T
18,298 of	1900	United Kingdom	.....	339/276 T

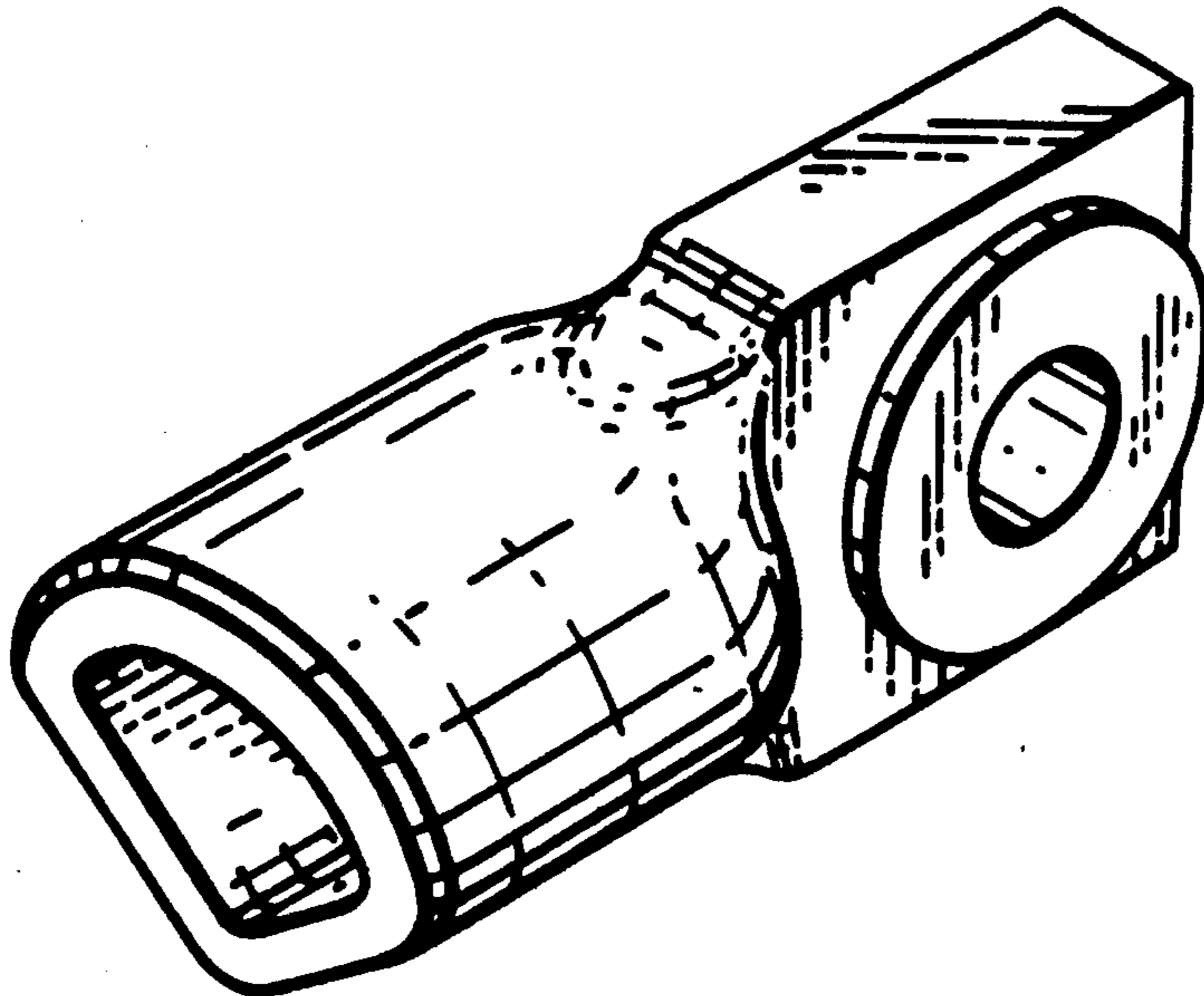
Primary Examiner—Susan J. Lucas  
Attorney, Agent, or Firm—A. D. Caesar

[57] CLAIM

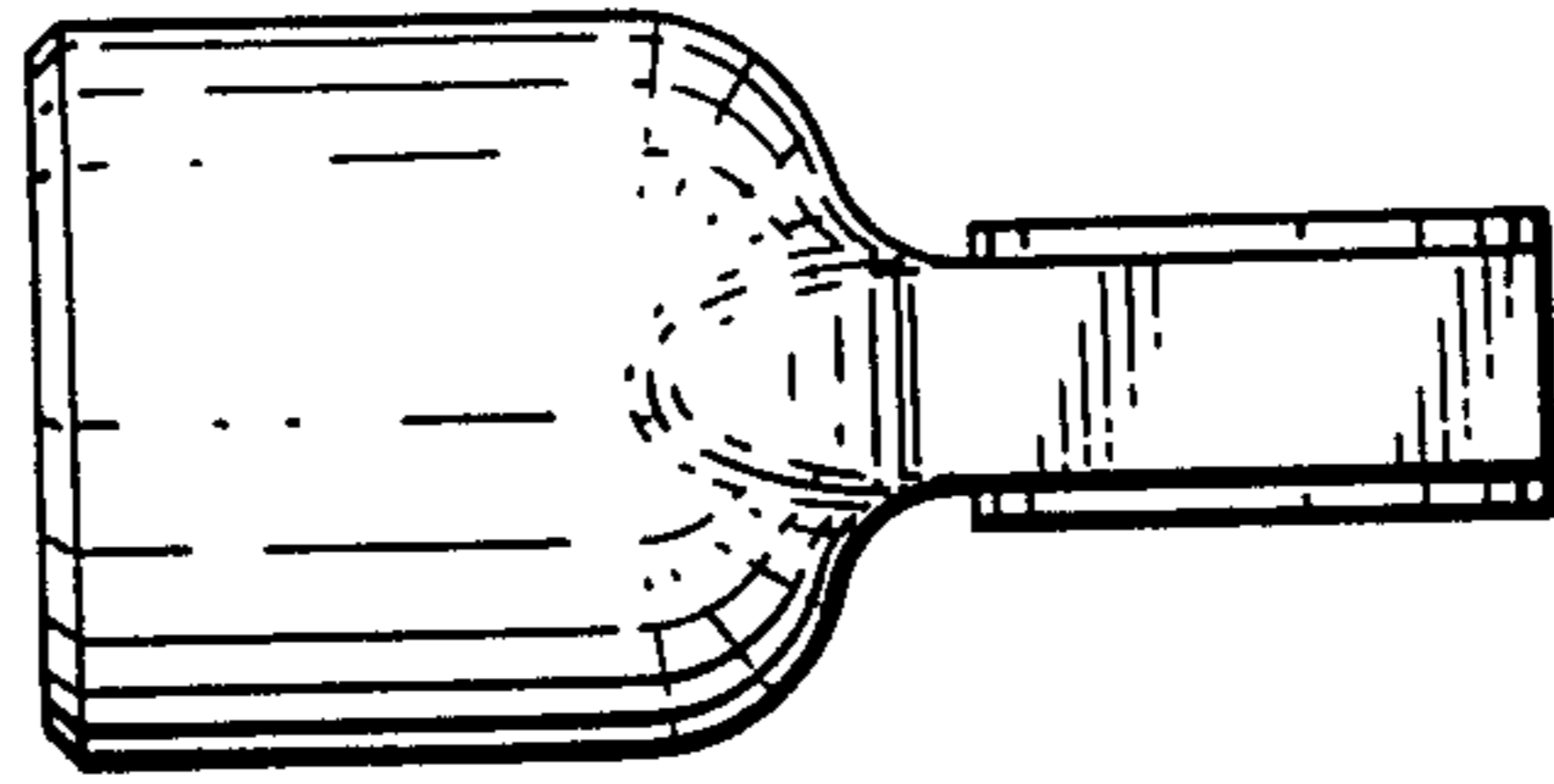
The ornamental design for electrical terminal, substantially as shown.

DESCRIPTION

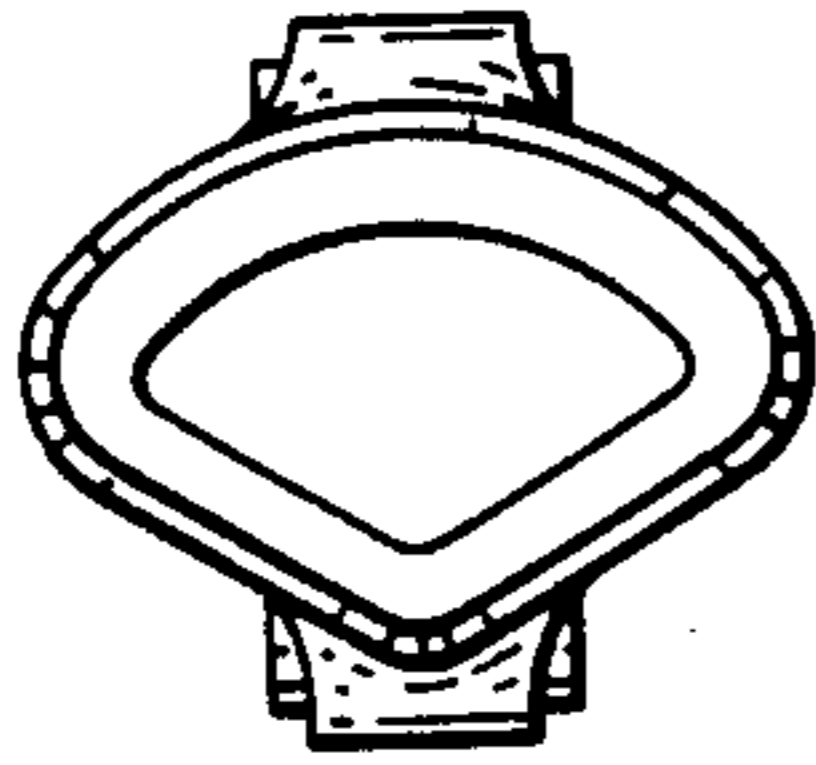
FIG. 1 is a perspective view of an electrical terminal showing my new design;  
FIG. 2 is an elevational view of one end thereof;  
FIG. 3 is an elevational view of the other end thereof;  
FIG. 4 is a top plan view thereof;  
FIG. 5 is a bottom plan view thereof; and  
FIG. 6 is a side elevational view thereof.



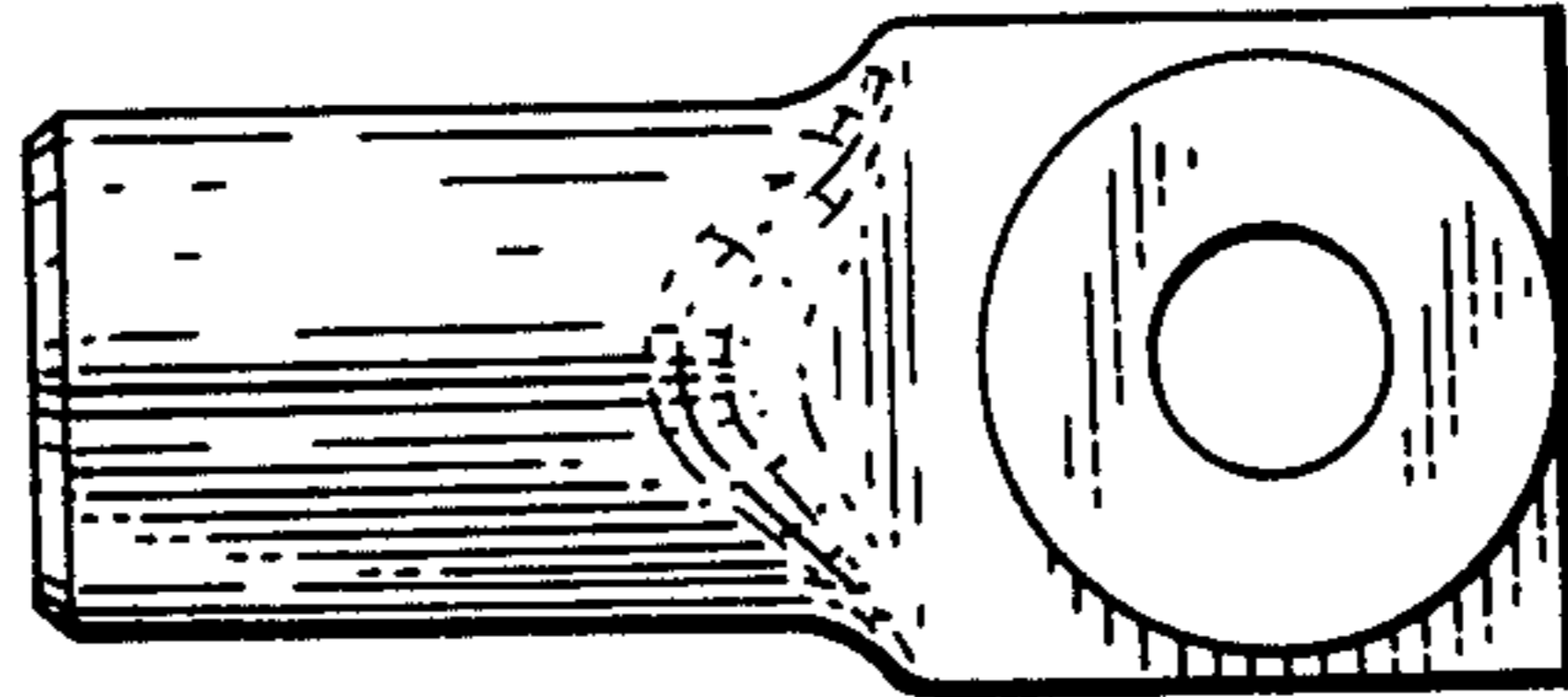
*Fig. 4.*



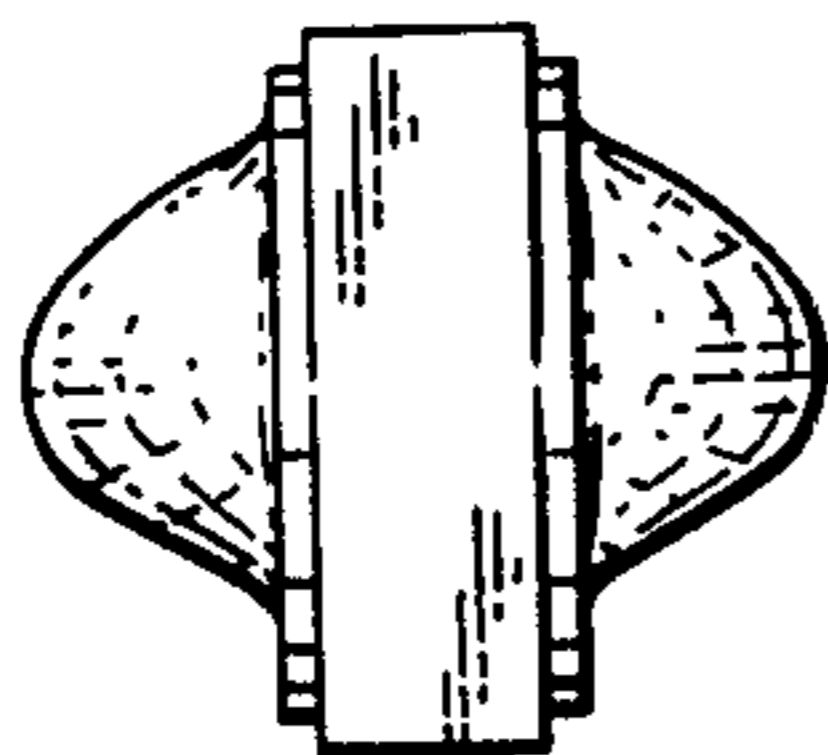
*Fig. 2.*



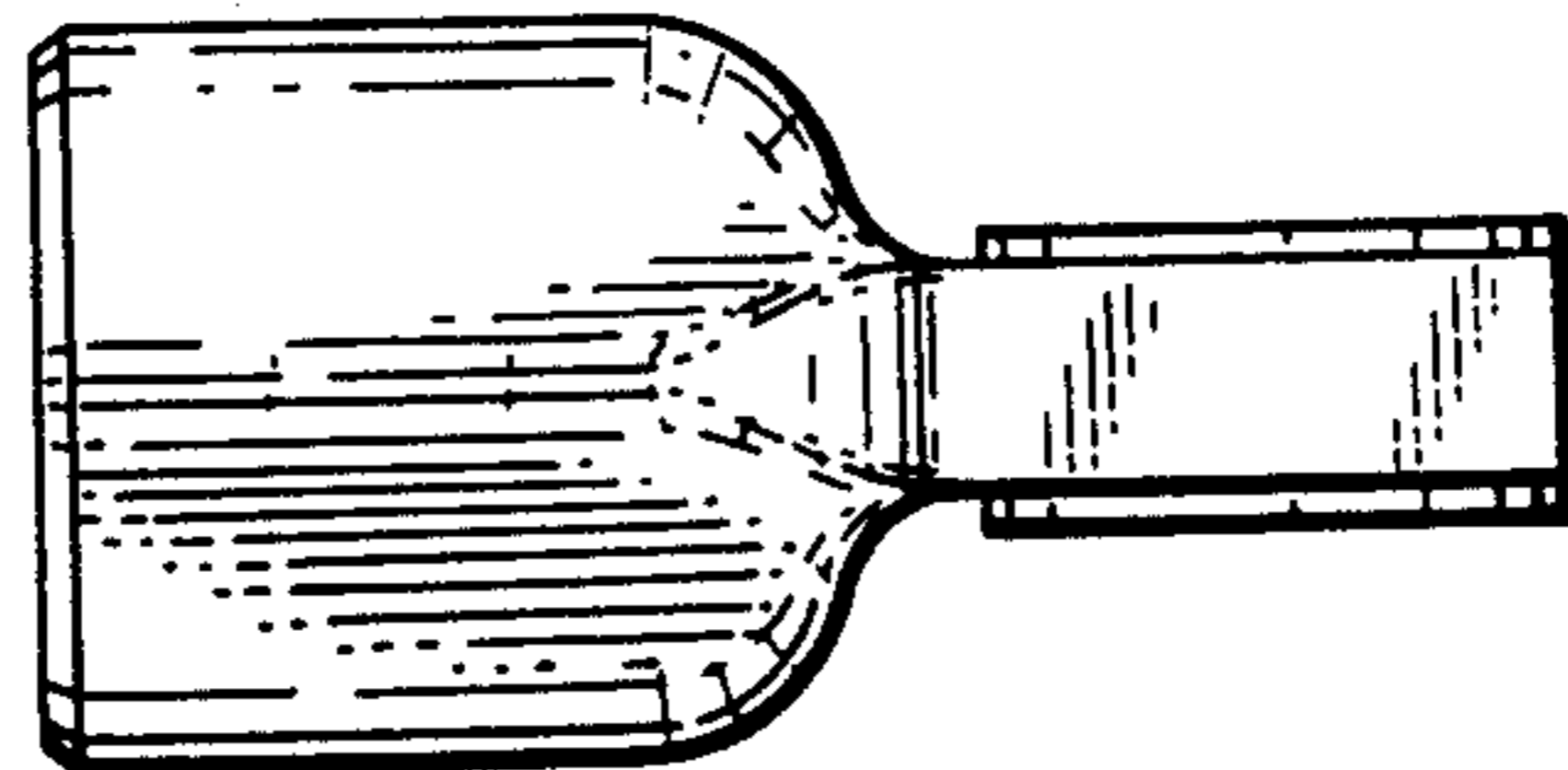
*Fig. 6.*



*Fig. 3.*



*Fig. 5.*



*Fig. 1.*

