

[54] **WHEEL**

[75] **Inventor:** Edward A. Kozloski, Babylon, N.Y.

[73] **Assignee:** Fiat Motors of North America,
Montvale, N.J.

[**] **Term:** 14 Years

[21] **Appl. No.:** 816,283

[22] **Filed:** Jul. 18, 1977

Related U.S. Application Data

[62] Division of Ser. No. 719,721, Sep. 2, 1976, Pat. No.
Des. 246, 239.

[51] **Int. Cl.** D12-16

[52] **U.S. Cl.** D12/209

[58] **Field of Search** D12/209-213;
301/37 R, 37 F, 63 R, 63 DD, 63 PW, 64 R, 64
SH, 64 SD, 65-67, 108 R, 104

[56]

References Cited

U.S. PATENT DOCUMENTS

D. 188,537	8/1960	Shimano	D12/211
D. 219,966	2/1971	Halibrand	D12/209
D. 239,267	3/1976	Harty, Jr.	D12/209
D. 245,840	9/1977	Harty, Jr.	D12/209

Primary Examiner—Wallace R. Burke
Assistant Examiner—James M. Gandy
Attorney, Agent, or Firm—John O. Tramontine

[57]

CLAIM

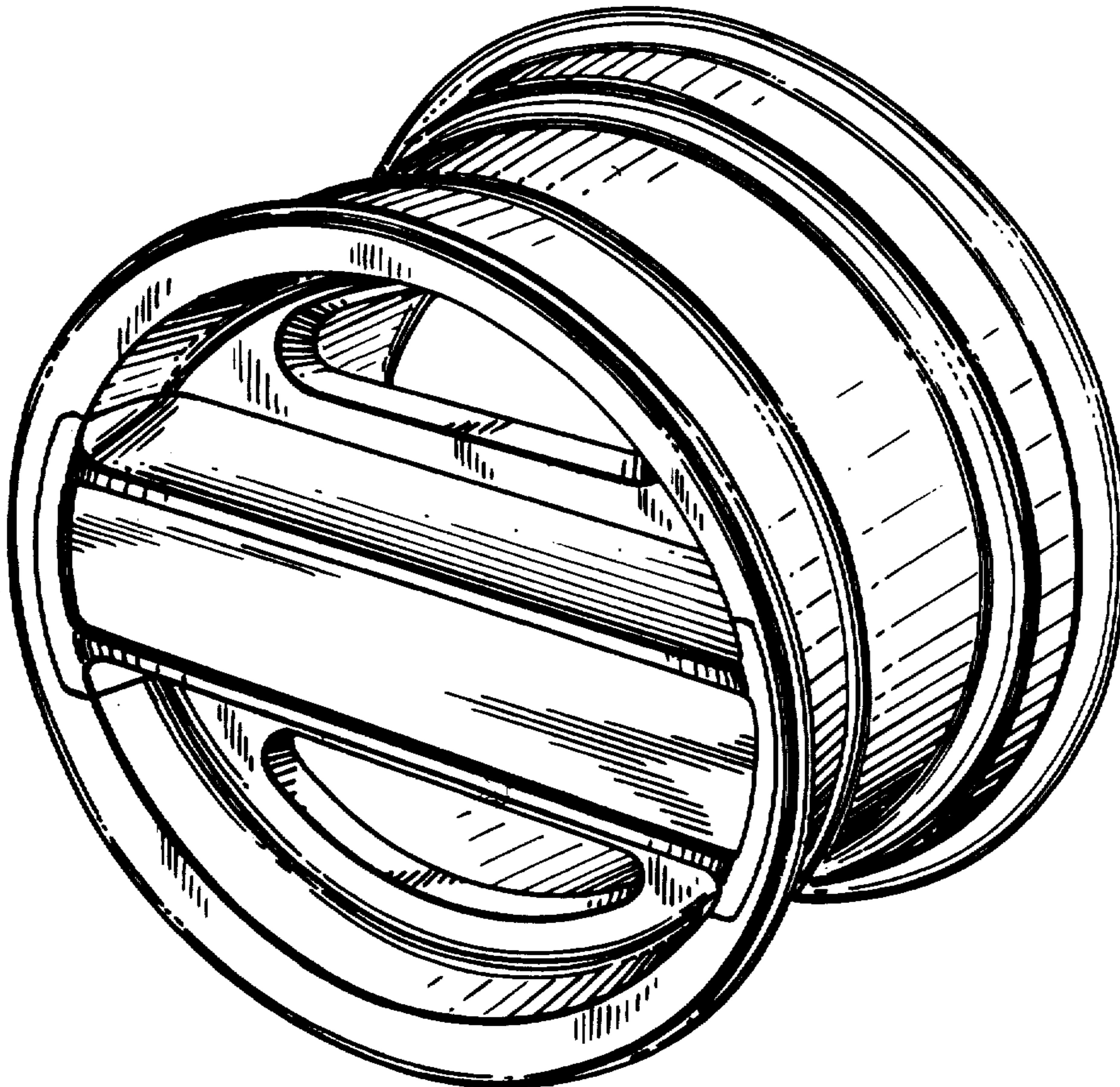
The ornamental design for a wheel, as shown and described.

DESCRIPTION

FIG. 1 is a front perspective view of a wheel showing my new design;

FIG. 2 is a rear elevational view thereof; and

FIG. 3 is a side elevational view thereof.



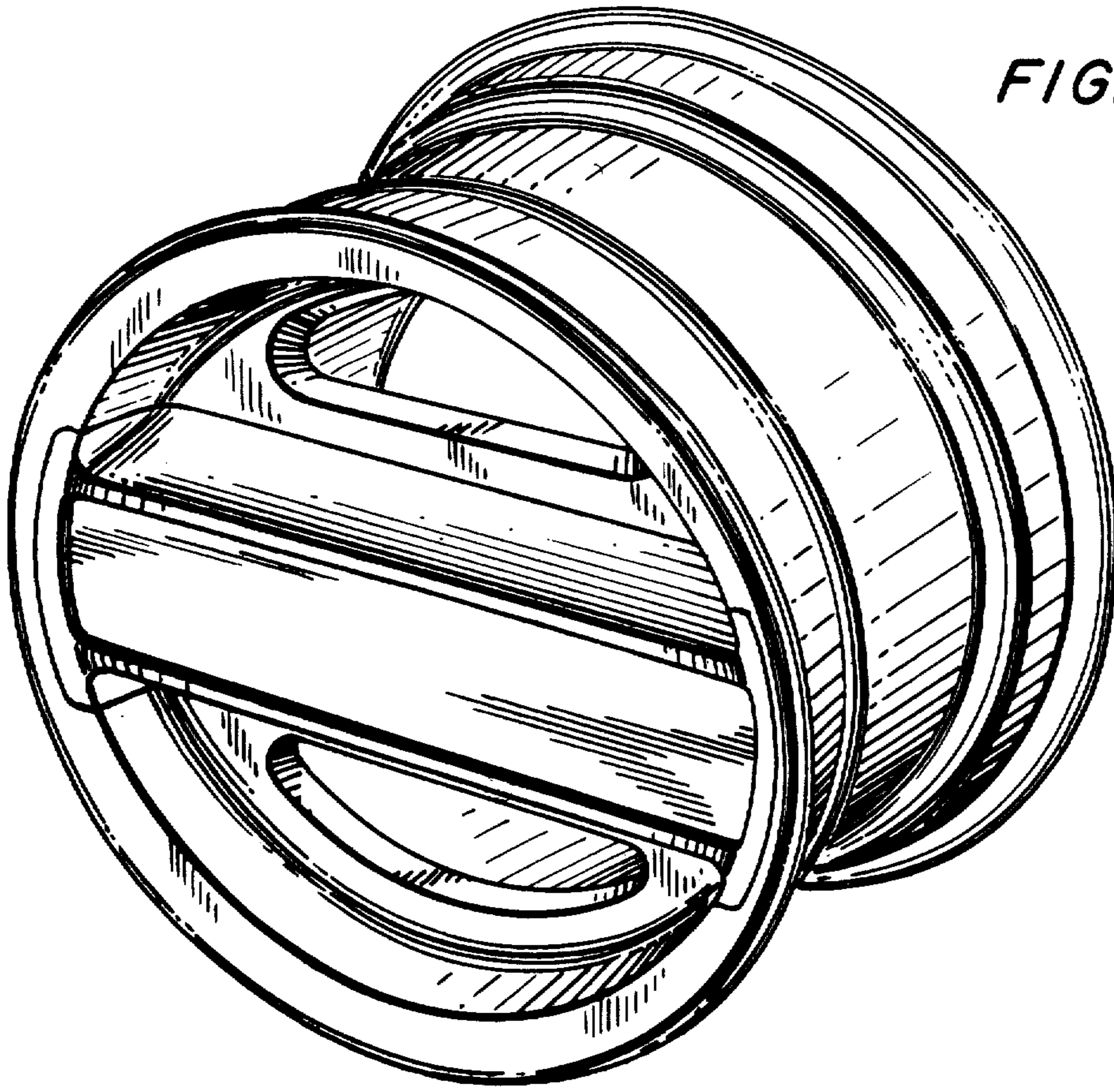


FIG. 1

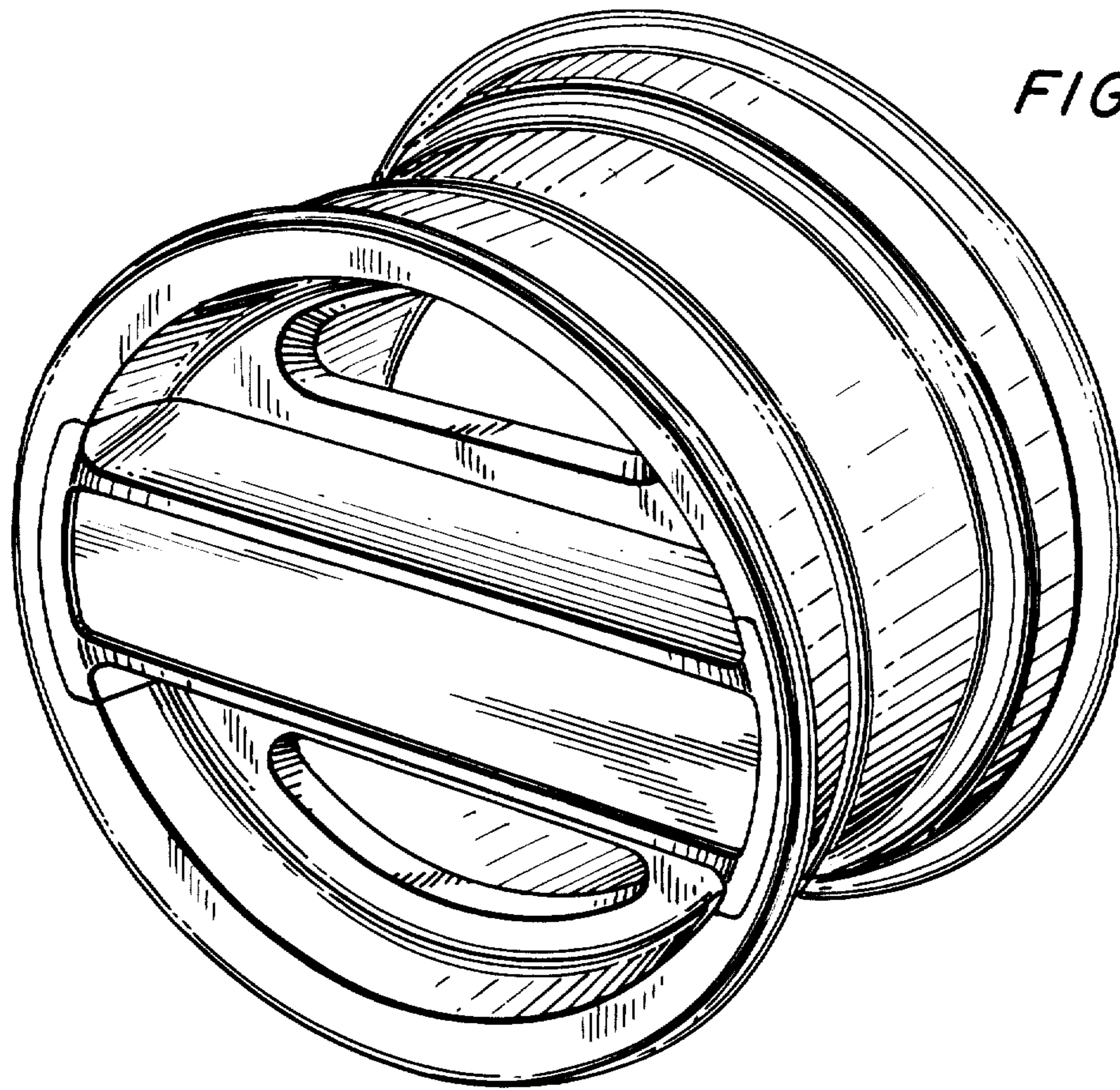


FIG. 1