

# United States Patent [19]

Aesch, Sr. et al.

[11] **Des. 248,840**

[45] **\*\* Aug. 8, 1978**

[54] **BUOY**

[75] **Inventors:** Harold W. Aesch, Sr., 626 W. Oak Ridge Rd.; Harold W. Aesch, Jr. 820 E. Buchanon Ave., both of Orlando, Fla. 32809; Darrell N. Welch, 3305 Arnel Ct., Winter Park, Fla. 32789

[73] **Assignees:** Harold W. Aesch, Sr.; Harold W. Aesch, Jr.; Darrell N. Welch; Asis K. Saha; John B. Pollet; part interest to each

[\*\*] **Term:** 14 Years

[21] **Appl. No.:** 695,208

[22] **Filed:** Jun. 11, 1976

[51] **Int. Cl.** ..... D10-06

[52] **U.S. Cl.** ..... D10/107

[58] **Field of Search** ..... D10/107, 109; 63/63 P, 63/107, 63 R; 9/8 R, 8.3, 9; 40/125 J, 125 N

[56] **References Cited**

**U.S. PATENT DOCUMENTS**

2,911,658 11/1959 Stanley ..... 9/8 R  
3,707,736 1/1973 Bass ..... 9/8.3 R

*Primary Examiner*—Susan J. Lucas  
*Attorney, Agent, or Firm*—William M. Hobby

[57] **CLAIM**

The ornamental design for the buoy, as shown and described.

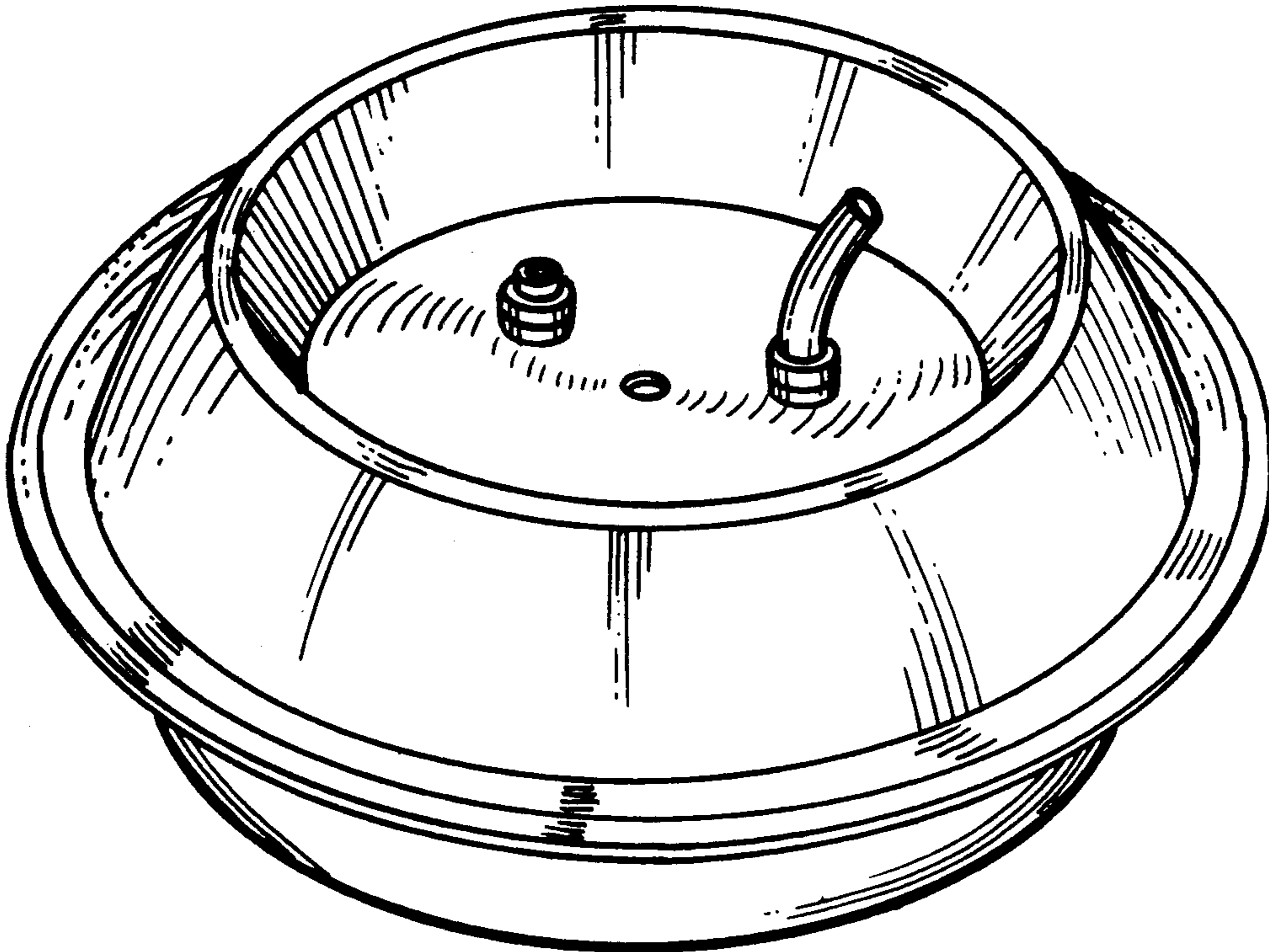
**DESCRIPTION**

FIG. 1 is a top perspective view of the buoy showing our new design;

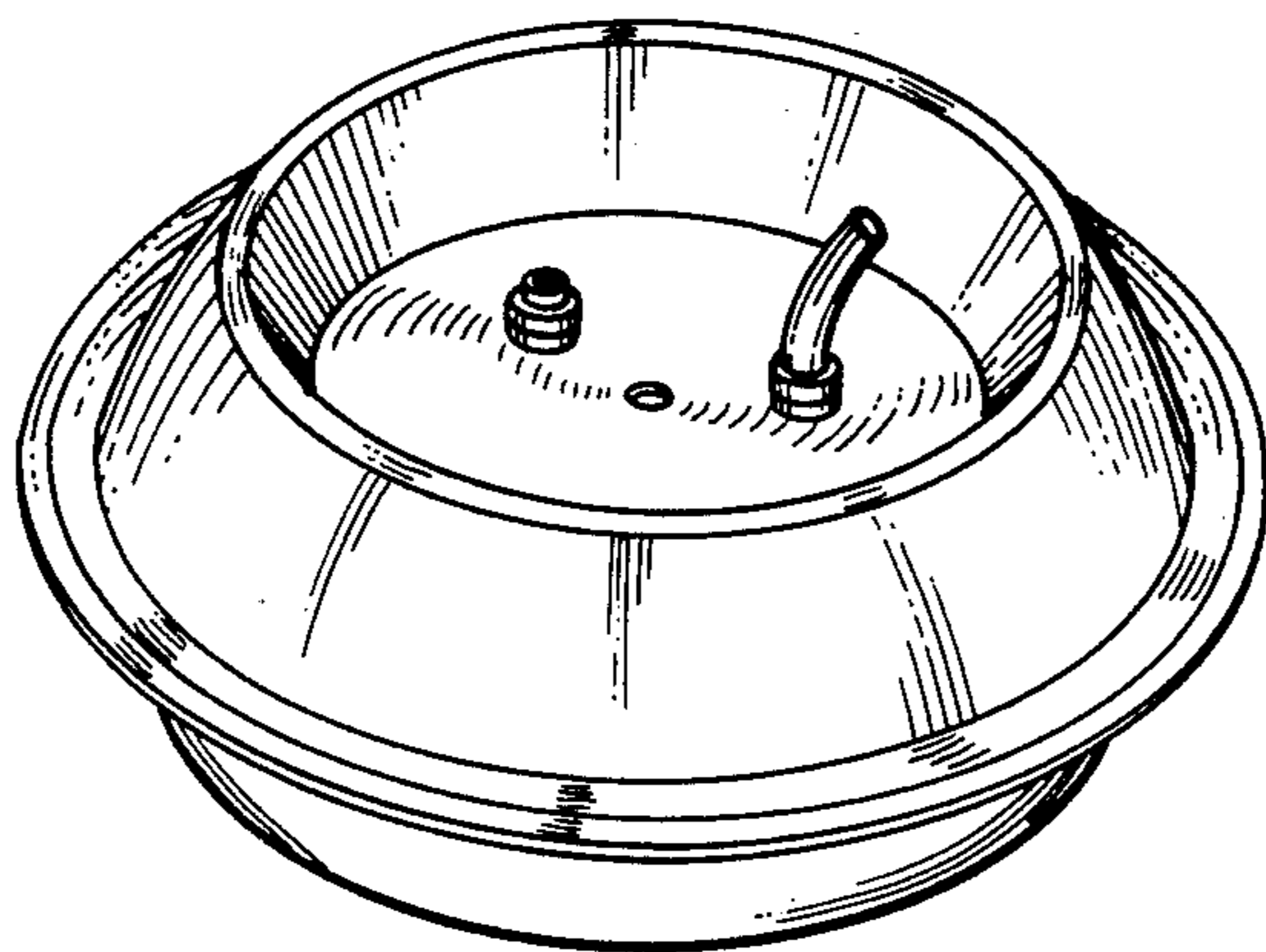
FIG. 2 is a bottom perspective view; and

FIG. 3 is a side elevation all sides being equal.

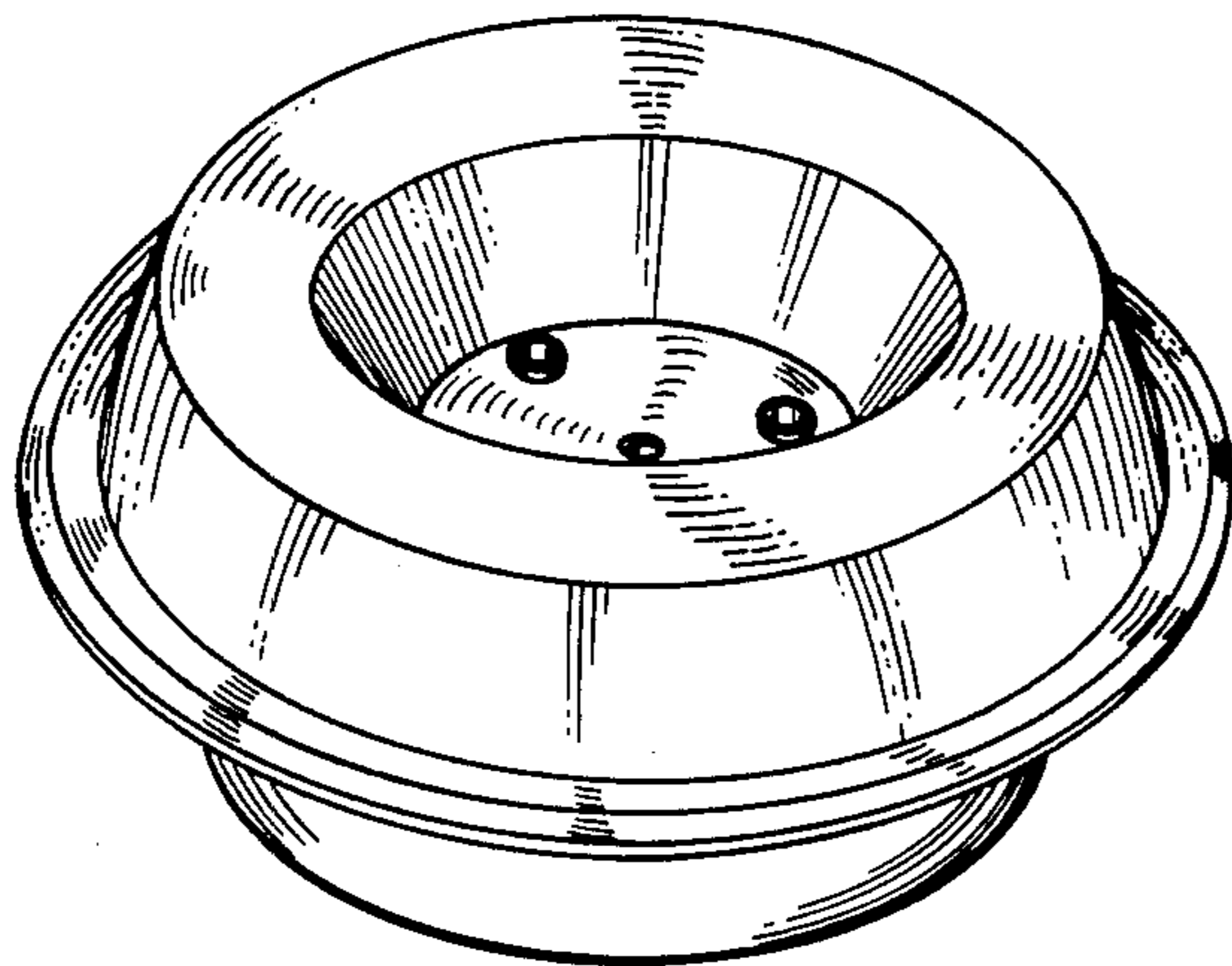
FIG. 4 is a bottom plan view on a reduced scale.



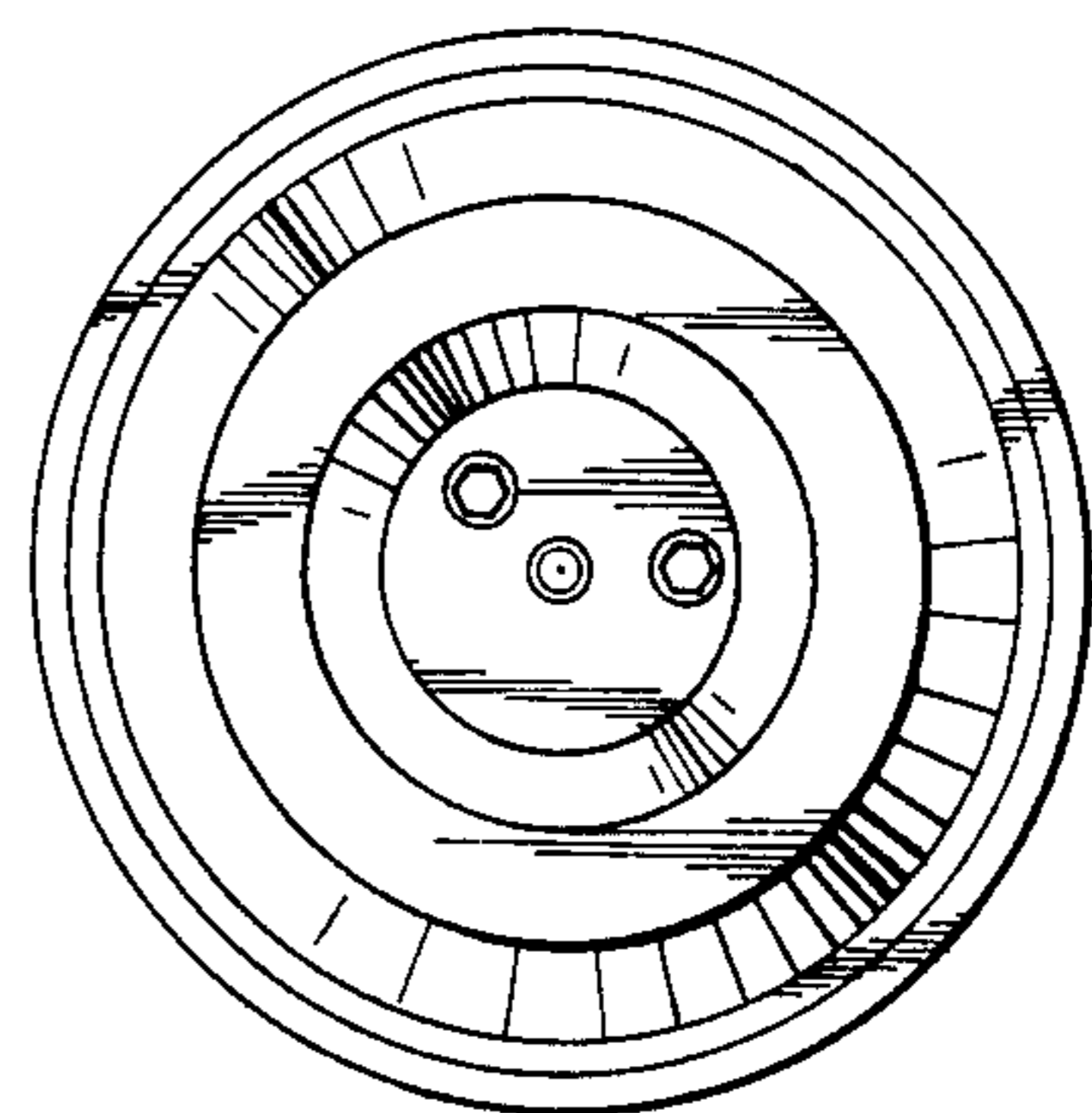
*Fig. 1.*



*Fig. 2.*



*Fig. 4.*



*Fig. 3.*

