

[54] ROUND THERMOSTAT GUARD

[75] Inventors: **Ralph E. Pasquarette**, Jordan;  
**Norbert Thomas Wolfe**, Minnetonka,  
both of Minn.

[73] Assignee: **Honeywell Inc.**, Minneapolis, Minn.

[\*\*] Term: **14 Years**

[21] Appl. No.: **694,513**

[22] Filed: **Jun. 9, 1976**

[51] Int. Cl. .... **D10-07**

[52] U.S. Cl. .... **D10/60**

[58] Field of Search ..... **D10/49-53,**  
**D10/60, 74, 102-103; 73/431**

[56] **References Cited**

**U.S. PATENT DOCUMENTS**

D. 53,981	11/1919	Berge .....	D10/74
D. 188,218	6/1960	Rosen .....	D10/60
D. 193,871	10/1962	Bosland .....	D10/55

*Primary Examiner*—Nelson C. Holtje

*Attorney, Agent, or Firm*—Henry L. Hanson

[57] **CLAIM**

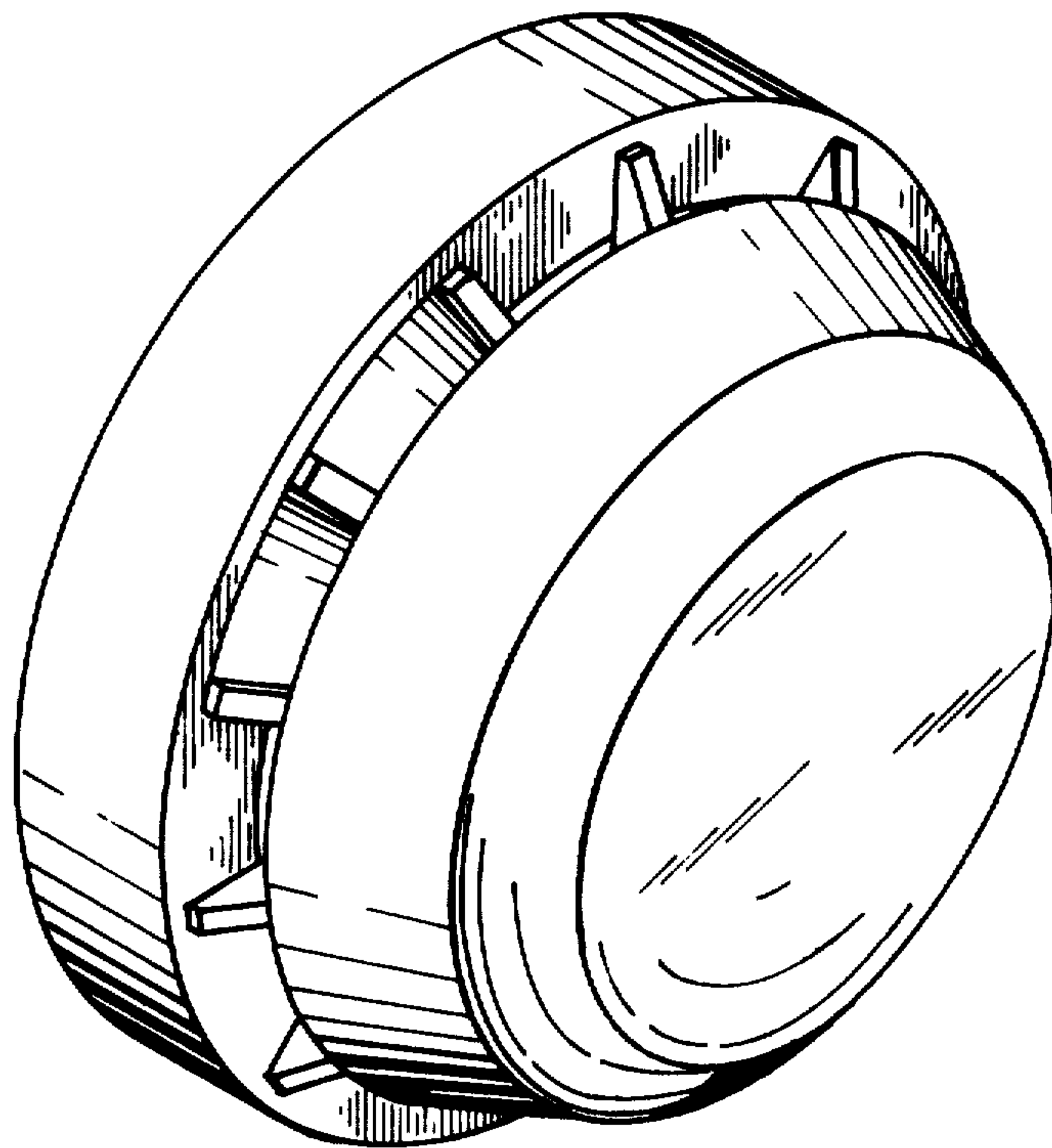
The ornamental design for a thermostat guard, substantially as shown and described.

**DESCRIPTION**

FIG. 1 is a left front perspective view of the thermostat guard;

FIG. 2 is a front elevation view of the thermostat guard, the rear view, not shown, is substantially an inverted image thereof, and;

FIG. 3 is a top plan view of the thermostat guard, the bottom being substantially a mirror image thereof.



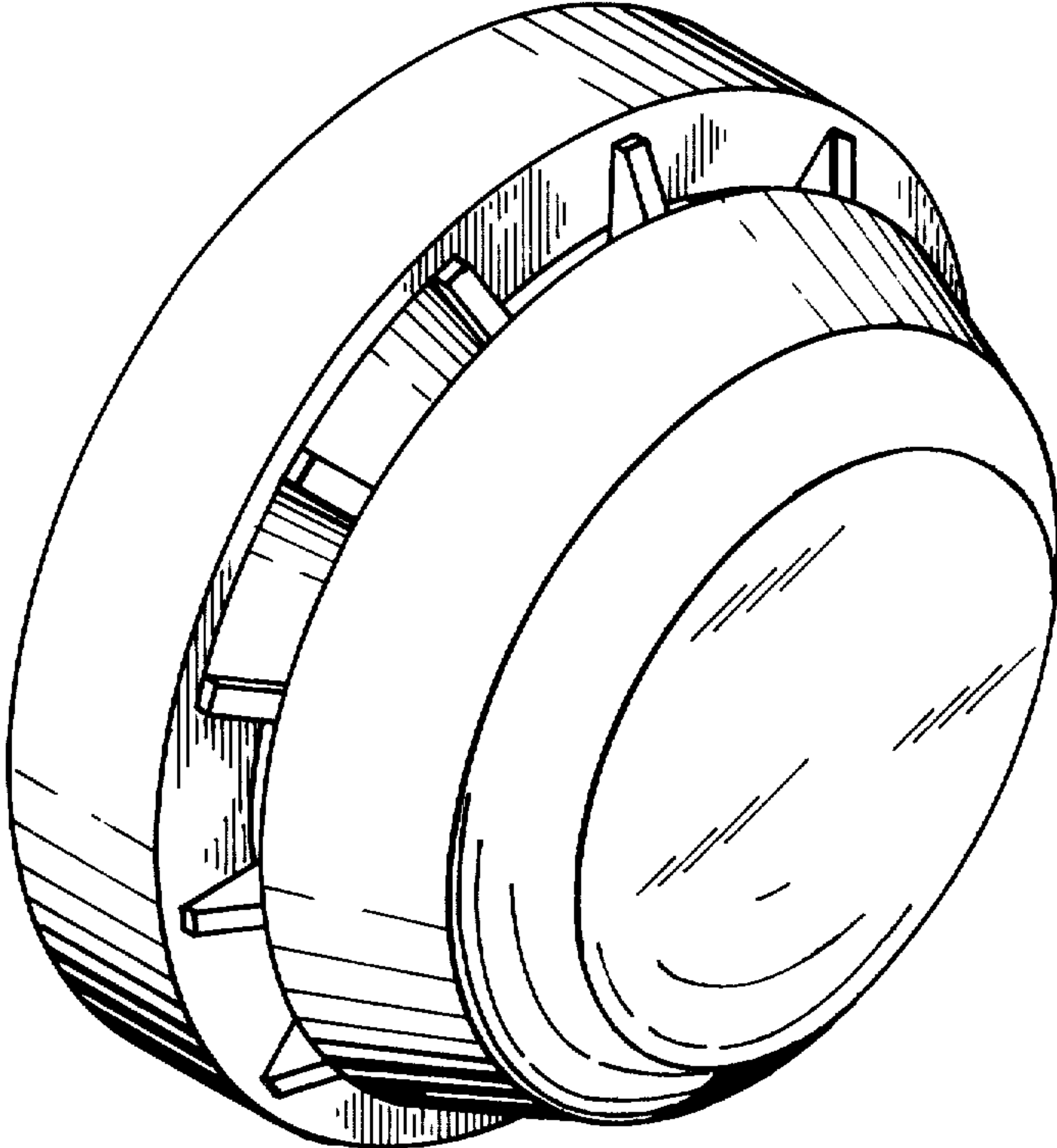


FIG. 1

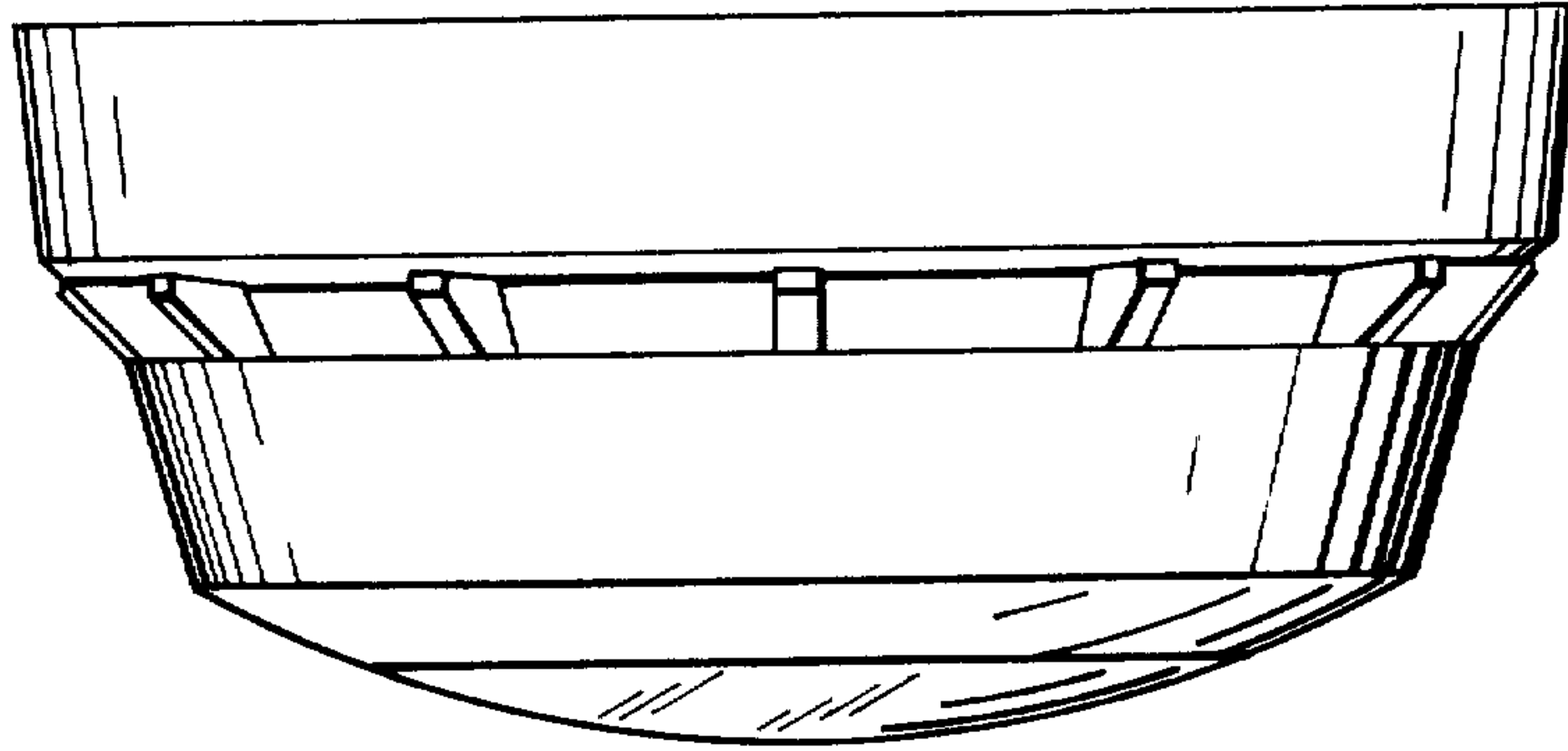


FIG. 2

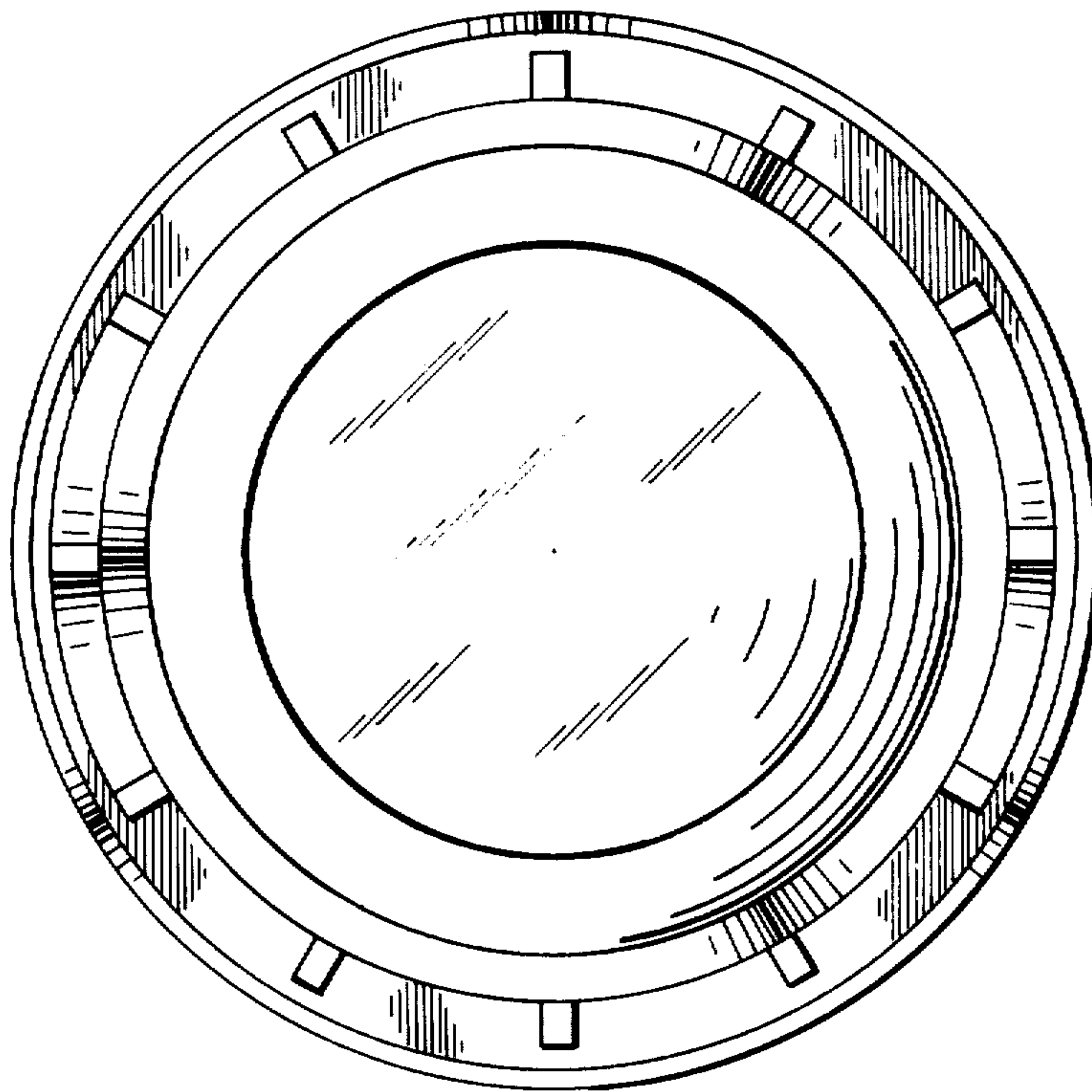


FIG. 3