

United States Patent [19]

Hutten

[11] Des. 248,837

[45] ** Aug. 8, 1978

[54] **DESK THERMOMETER**

[75] Inventor: **James E. Hutten, Mason, Ohio**

[73] Assignee: **American Thermometer Co., Inc., Dayton, Ohio**

[**] Term: **14 Years**

[21] Appl. No.: **725,658**

[22] Filed: **Sep. 22, 1976**

[51] Int. Cl. **D10-04**

[52] U.S. Cl. **D10/57**

[58] Field of Search **D10/57, 58; D25/73, D25/74; 73/356, 357, 358; 116/114.5, 114 V, 114 Z, 114 Y, 114 AB, 114 W**

[56] **References Cited**

U.S. PATENT DOCUMENTS

D. 200,632 3/1965 O'Keefe D25/74
D. 220,757 5/1971 Smith D25/74

D. 236,253 8/1975 Parker D10/57
D. 240,024 5/1976 Riley D10/57
D. 242,329 11/1976 Van Kersen D10/57
D. 243,512 3/1977 Van Kersen D10/57

OTHER PUBLICATIONS

Modern Plastics Encyclopedia, 1948, p. 1513, Extrusion No. 20 at top right.

Office Products, 9/73, p. 20, Thermometers at top.

Primary Examiner—Nelson C. Holtje

Attorney, Agent, or Firm—William R. Jacox

[57] **CLAIM**

The ornamental design of a desk thermometer, substantially as shown and described.

DESCRIPTION

FIG. 1 is a front perspective view of a desk thermometer showing my new design;

FIG. 2 is a top plan view thereof, the bottom being plain and unornamented;

FIG. 3 is a side elevational view thereof.

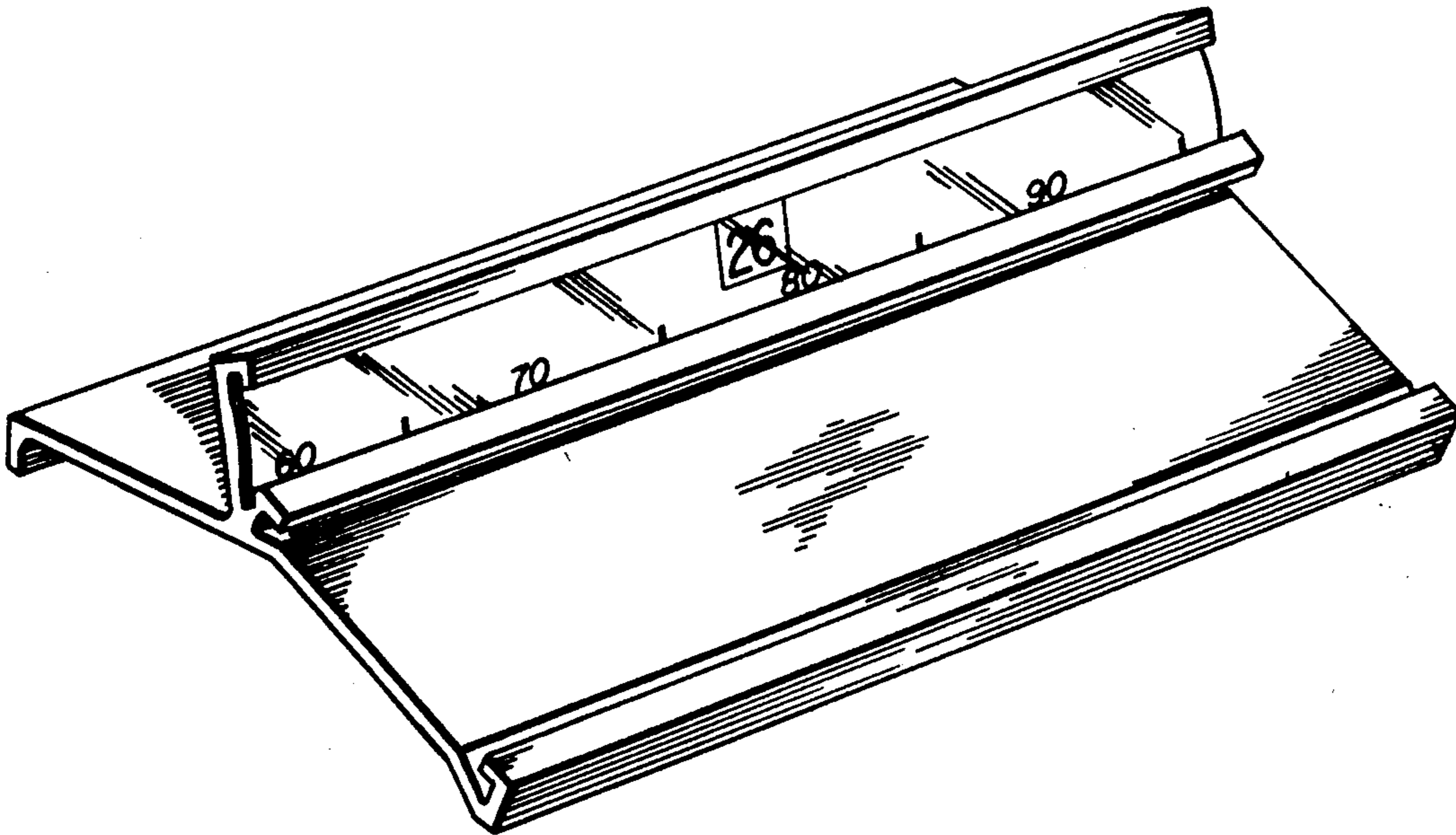


FIG-1

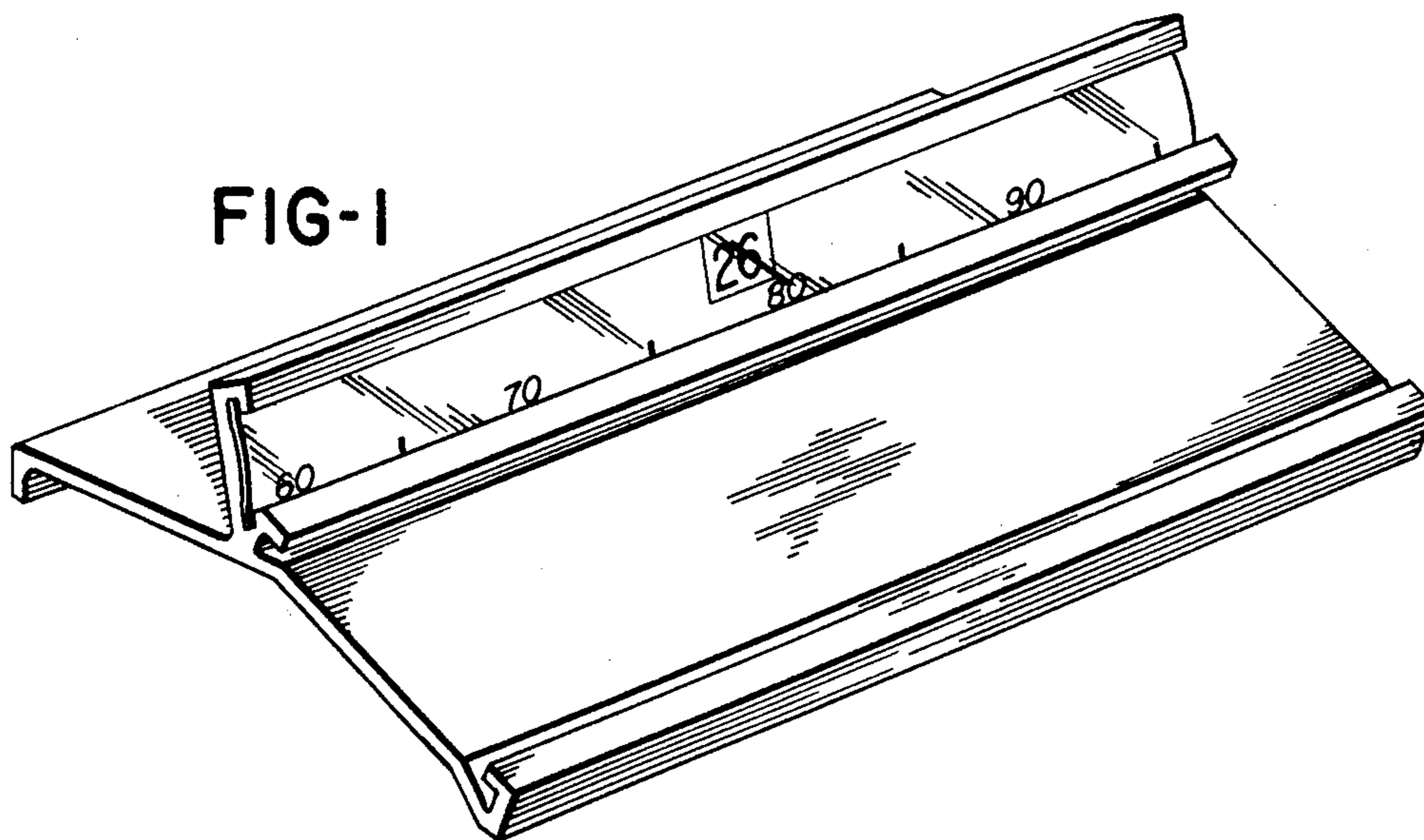


FIG-2

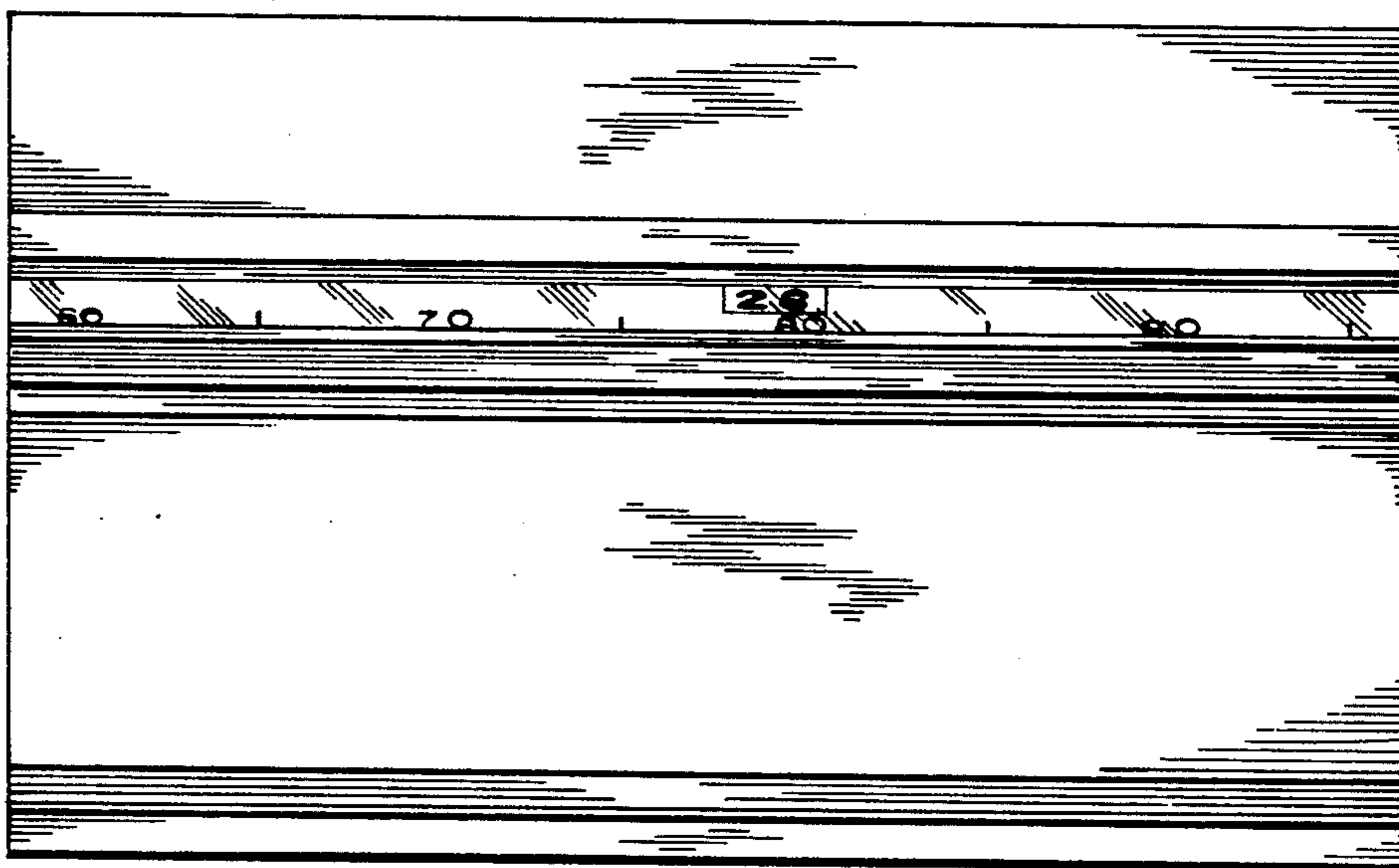


FIG-3

