

[54] BOTTLE

[56]

References Cited

U.S. PATENT DOCUMENTS

[75] Inventor: Edward J. Kretz, Toledo, Ohio

D. 73,430	9/1927	Haslett .....	D9/1
D. 215,412	9/1969	Lander .....	D9/119
D. 228,879	10/1973	Plummer .....	D9/100

[73] Assignee: Owens-Illinois, Inc.

Primary Examiner—Robert C. Spangler  
Attorney, Agent, or Firm—J. R. Nelson

[\*\*] Term: 14 Years

[57]

CLAIM

[21] Appl. No.: 669,140

The ornamental design for a bottle, substantially as shown and described.

[22] Filed: Mar. 22, 1976

DESCRIPTION

[51] Int. Cl. .... D9-01

[52] U.S. Cl. .... D9/101; D9/156;  
D9/1

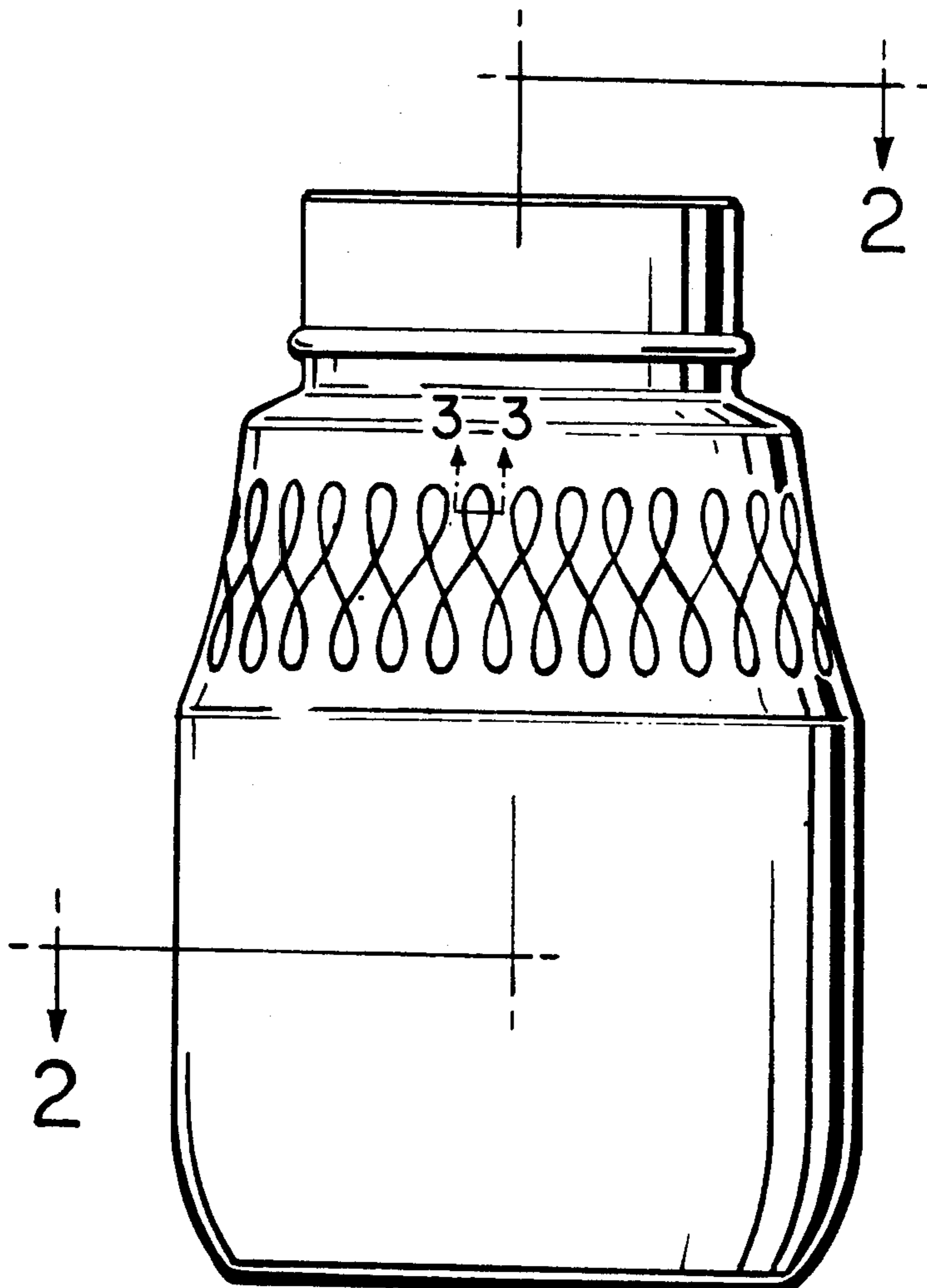
[58] Field of Search ..... D9/1, 134, 100-118,  
D9/119-128, 131, 156, 158, 162, 169

FIG. 1 is an elevational view of a bottle showing my new design;

FIG. 2 is a top plan view, partly in section, as taken along line 2-2 on FIG. 1; and

FIG. 3 is an enlarged fragmentary view taken on the line 3-3 of FIG. 1.

The side opposite that shown in FIG. 1 is the same in appearance as the side shown.



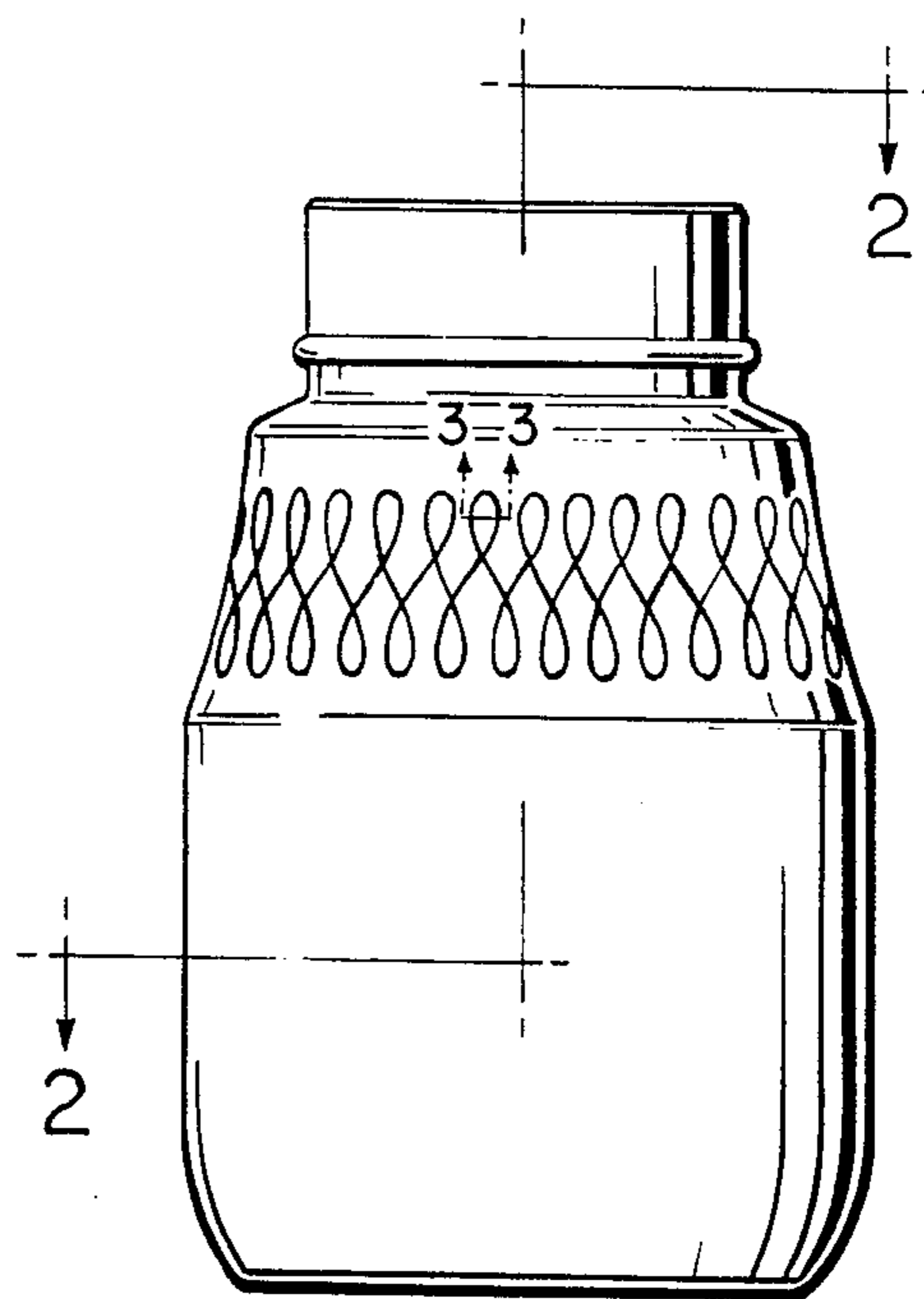
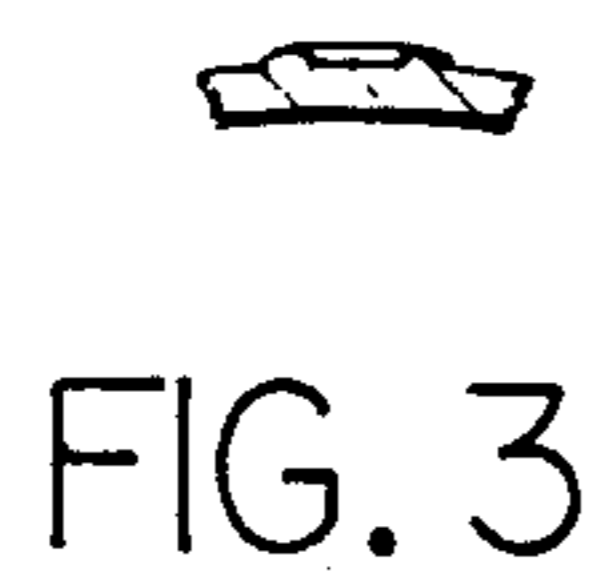


FIG. 1

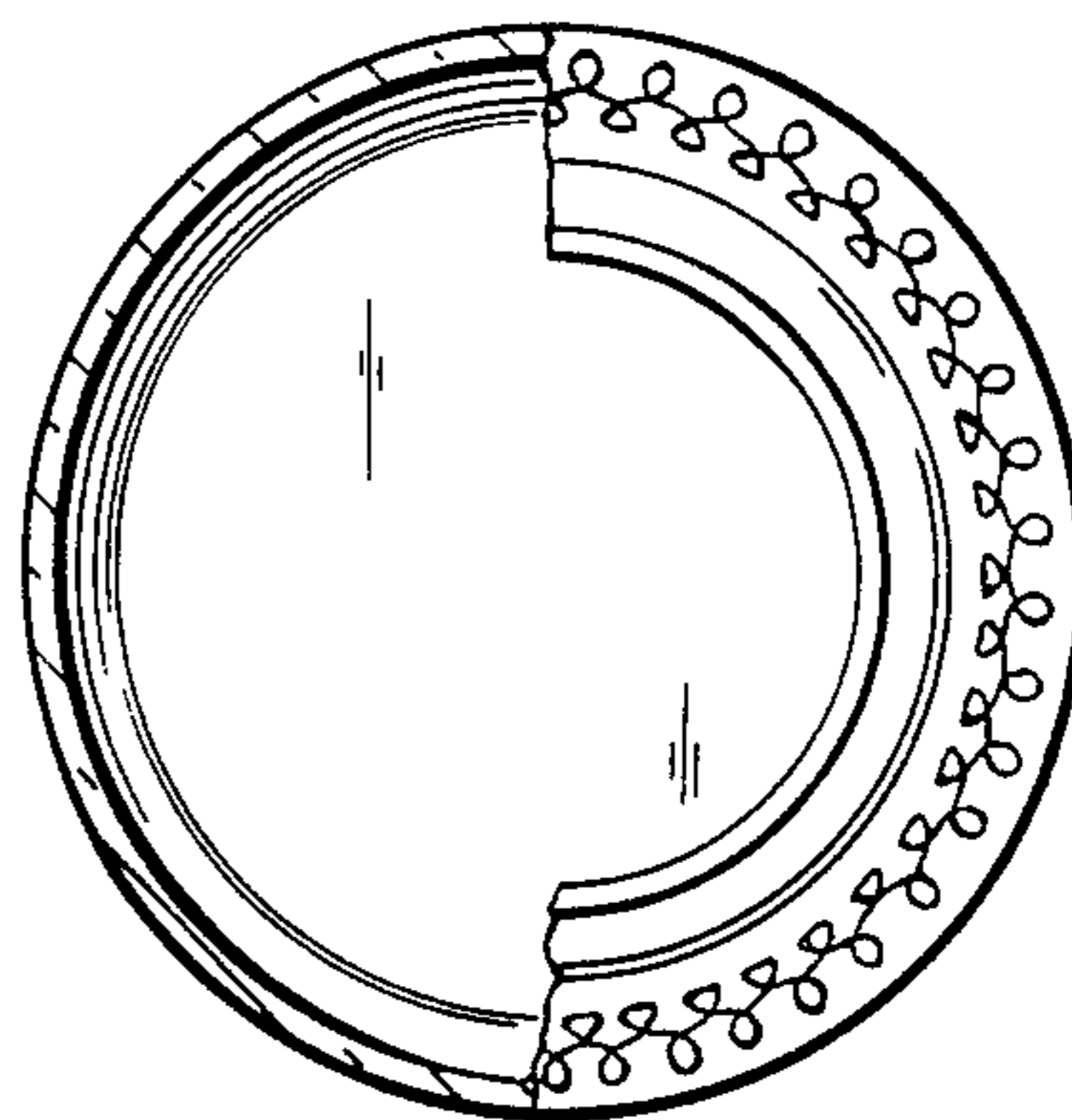


FIG. 2