

[54] LINK UNIT FOR A CONVEYOR CHAIN

[75] Inventor: Erkki Topias Lehtola, Kaskinen, Finland

[73] Assignee: Oy Tähkä AB, Finland

[**] Term: 14 Years

[21] Appl. No.: 694,297

[22] Filed: Jun. 9, 1976

[30] Foreign Application Priority Data

Dec. 9, 1975 [FI] Finland 653/75

[51] Int. Cl. D8-99; D12-05

[52] U.S. Cl. D8/499; D12/60

[58] Field of Search D12/154, 58, 60; 152/225, 225 C, 226-230; 198/850, 852, 853; 15/239, 240, 238; D8/499

[56] References Cited

U.S. PATENT DOCUMENTS

746,722 12/1903 Mahler 15/240
 937,010 10/1909 Peterson 15/240
 1,770,040 7/1930 McKenney et al. 152/226

2,028,479 1/1936 Spicer 198/853
 2,478,371 8/1949 Cook D12/154 UX
 3,595,294 7/1971 Strelli 152/225 R

Primary Examiner—Bernard Ansher
 Assistant Examiner—James M. Gandy
 Attorney, Agent, or Firm—Lawrence B. Biebel

[57] CLAIM

The ornamental design for a link unit for a conveyor chain, as shown and described.

DESCRIPTION

FIG. 1 is a perspective view of a link unit for a conveyor chain showing my design;
 FIG. 2 is a perspective view showing the opposite side of the link unit shown in FIG. 1;
 FIG. 3 is a perspective view of one of the links of the unit shown in FIGS. 1 and 2;
 FIG. 4 is a perspective view of a second link of the unit shown in FIGS. 1 and 2; and
 FIG. 5 is a perspective view of a third link of the unit shown in FIGS. 1 and 2.
 The three types of links comprising the unit shown in FIGS. 1 and 2 have been shown separately in FIGS. 3, 4 and 5 for clarity of illustration.

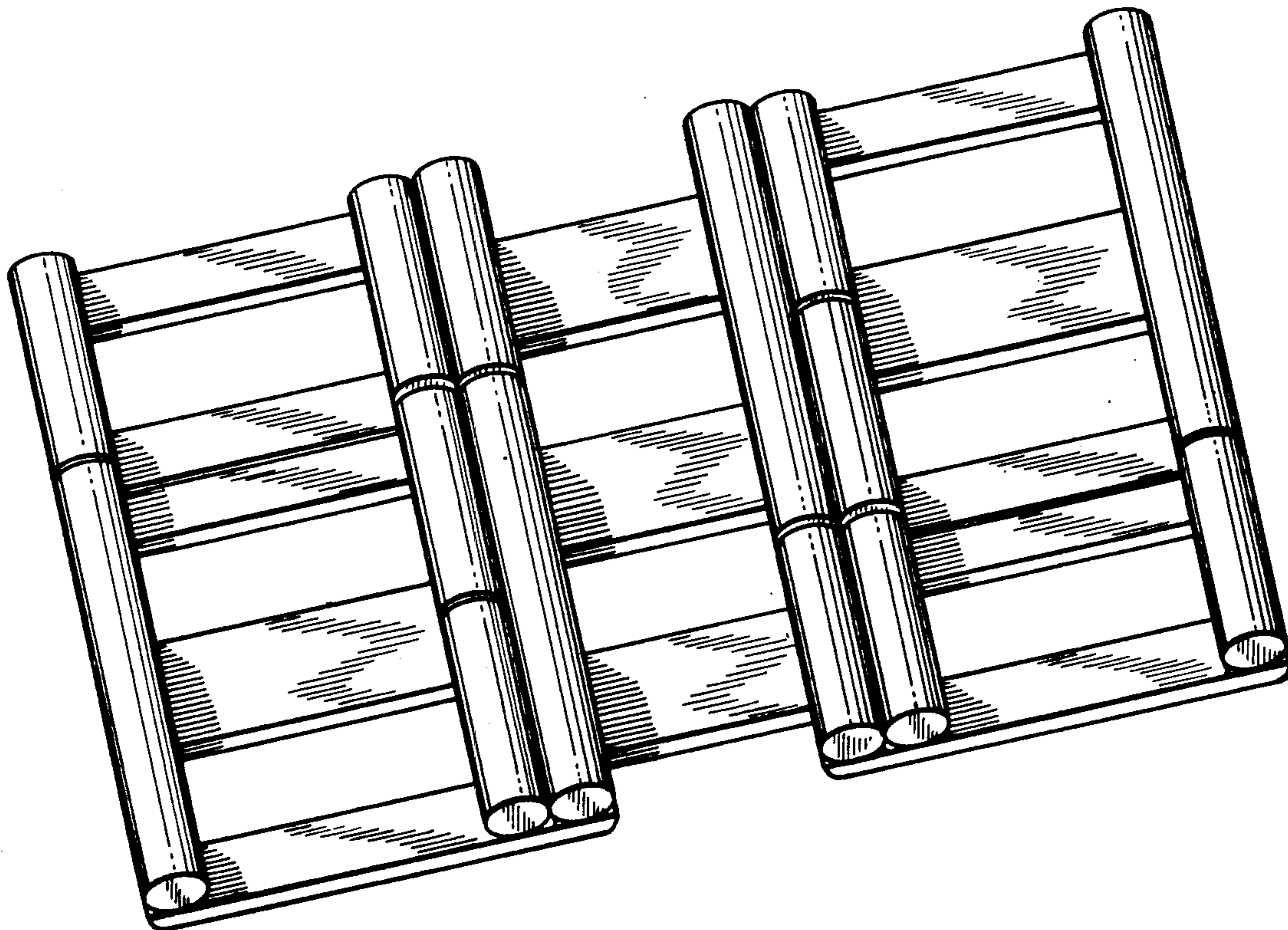


FIG-3

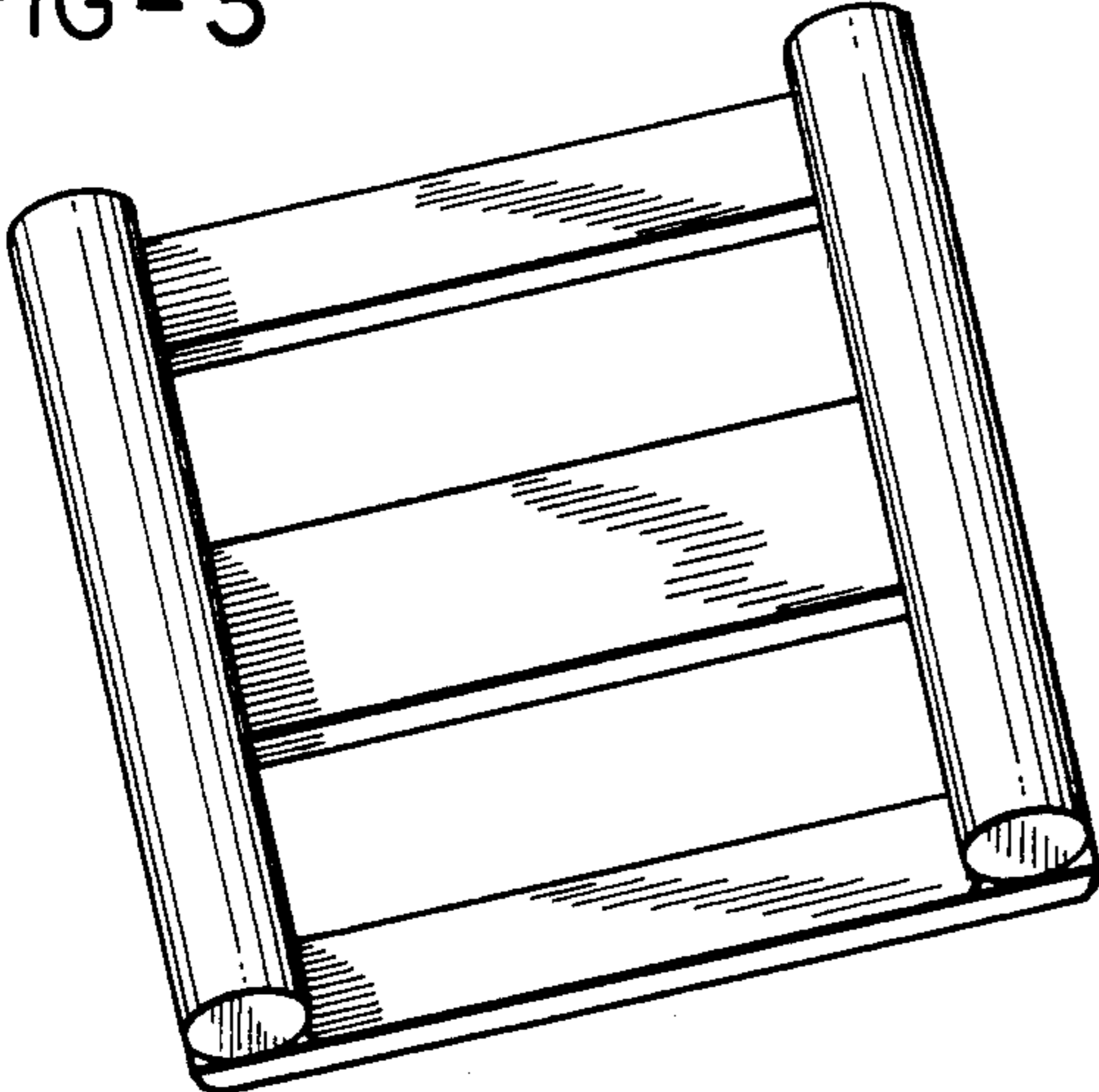


FIG-4

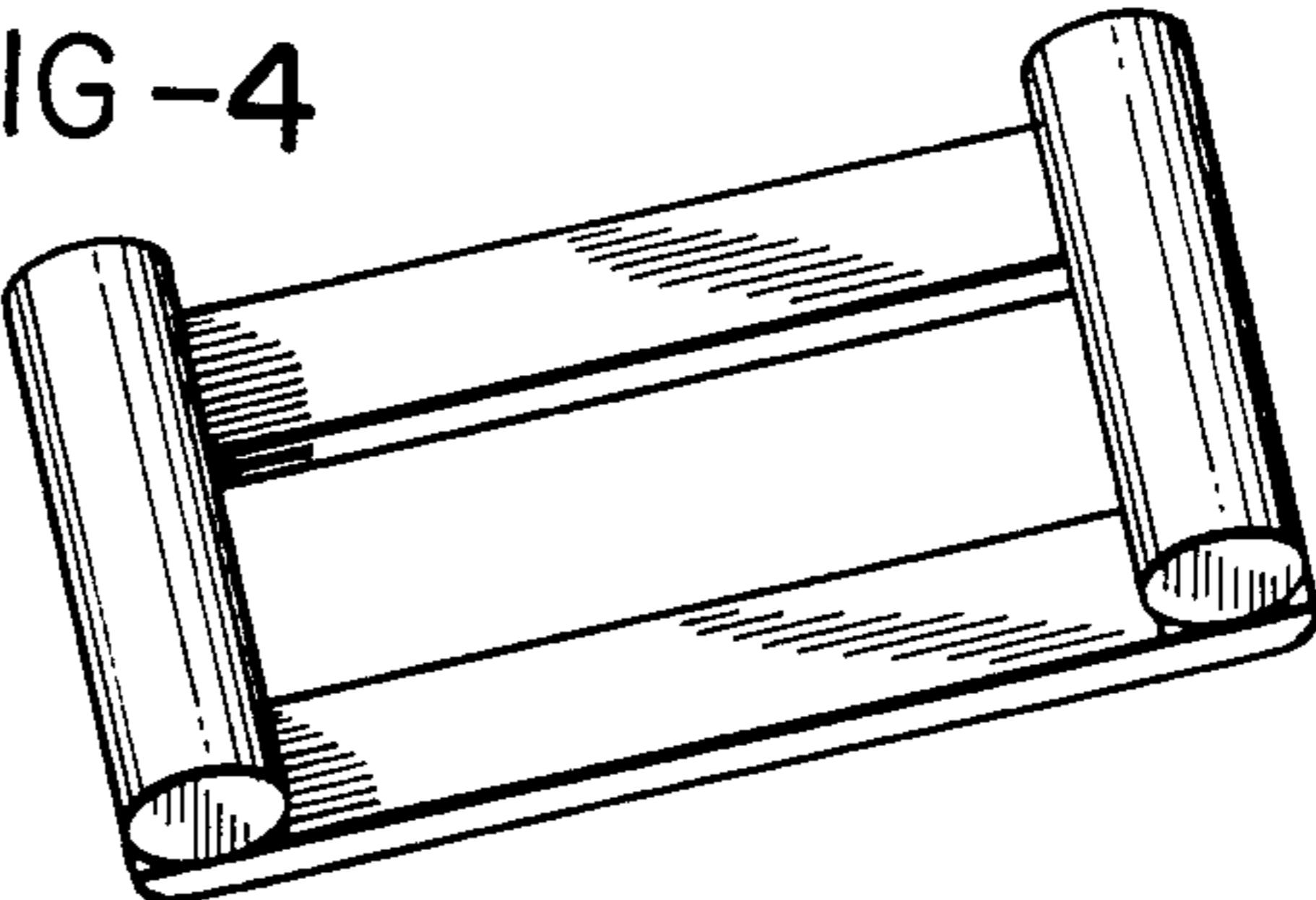


FIG-5

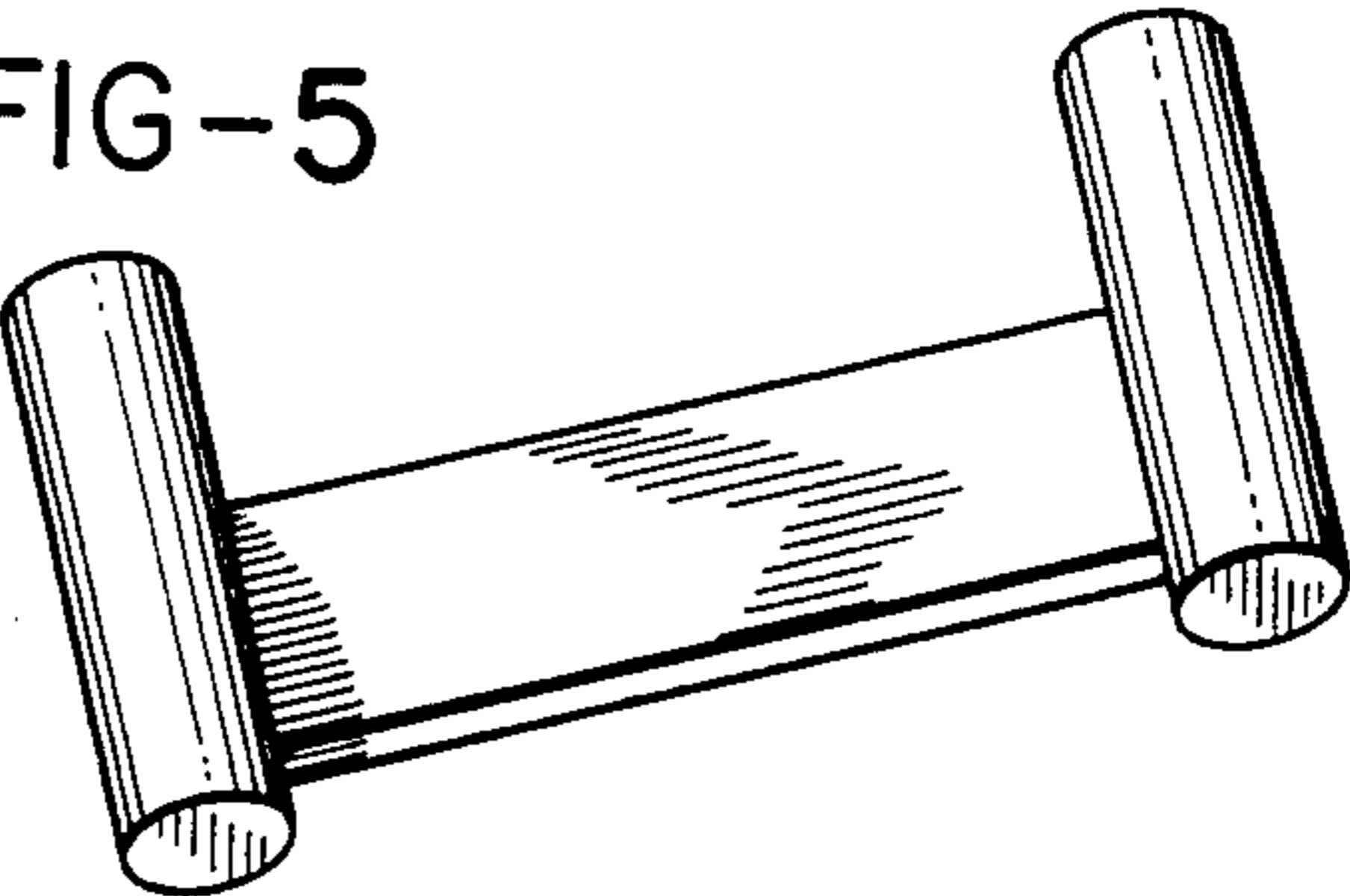


FIG-1

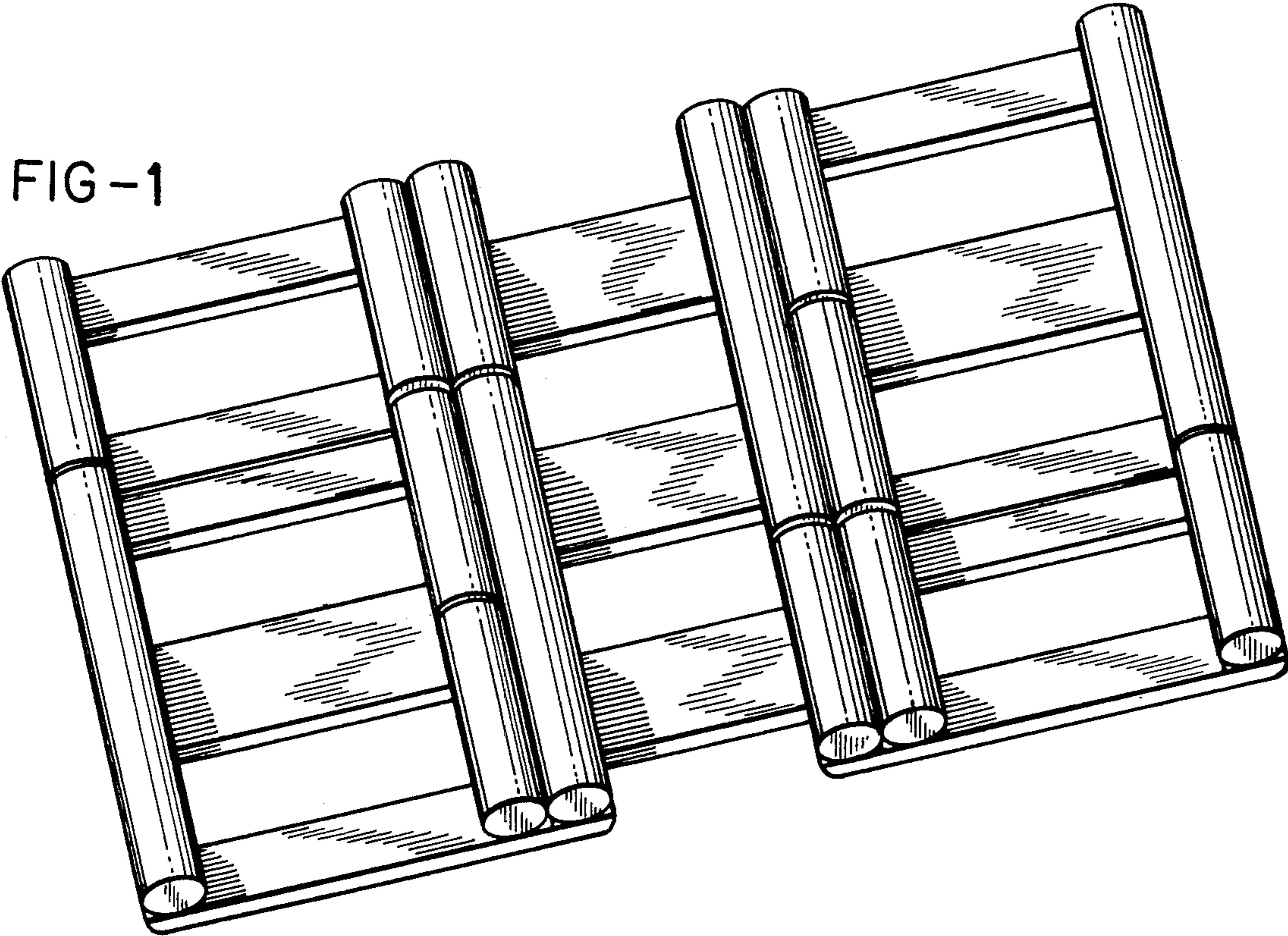


FIG - 2

