

[54] **MESSAGE HOLDER**

[76] Inventor: **Wilbert W. Redmer**, 71 Northeast
 11th Way, Deerfield Beach, Fla.
 33441.

[**] Term: **14 Years**

[21] Appl. No.: **681,800**

[22] Filed: **Apr. 30, 1976**

[51] Int. Cl. **19-02; 14-99**

[52] U.S. Cl. **D8/395; D14/59;**
D24/99; D19/90; D19/91

[58] Field of Search **D19/88, 91, 90; D8/395;**
24/67.11, 173 AS, 81 HS, 85 A; 211/50, 89,
69.8, 113, 119.13; D24/99

[56] **References Cited**

U.S. PATENT DOCUMENTS

D. 199,828	12/1964	Regan	D19/88
216,657	6/1879	Cochrane	24/67.11
895,324	8/1908	Albrecht	24/67.11

3,168,954	2/1965	Herrmann	D19/91 X
3,946,878	3/1976	Stoveken et al.	211/89

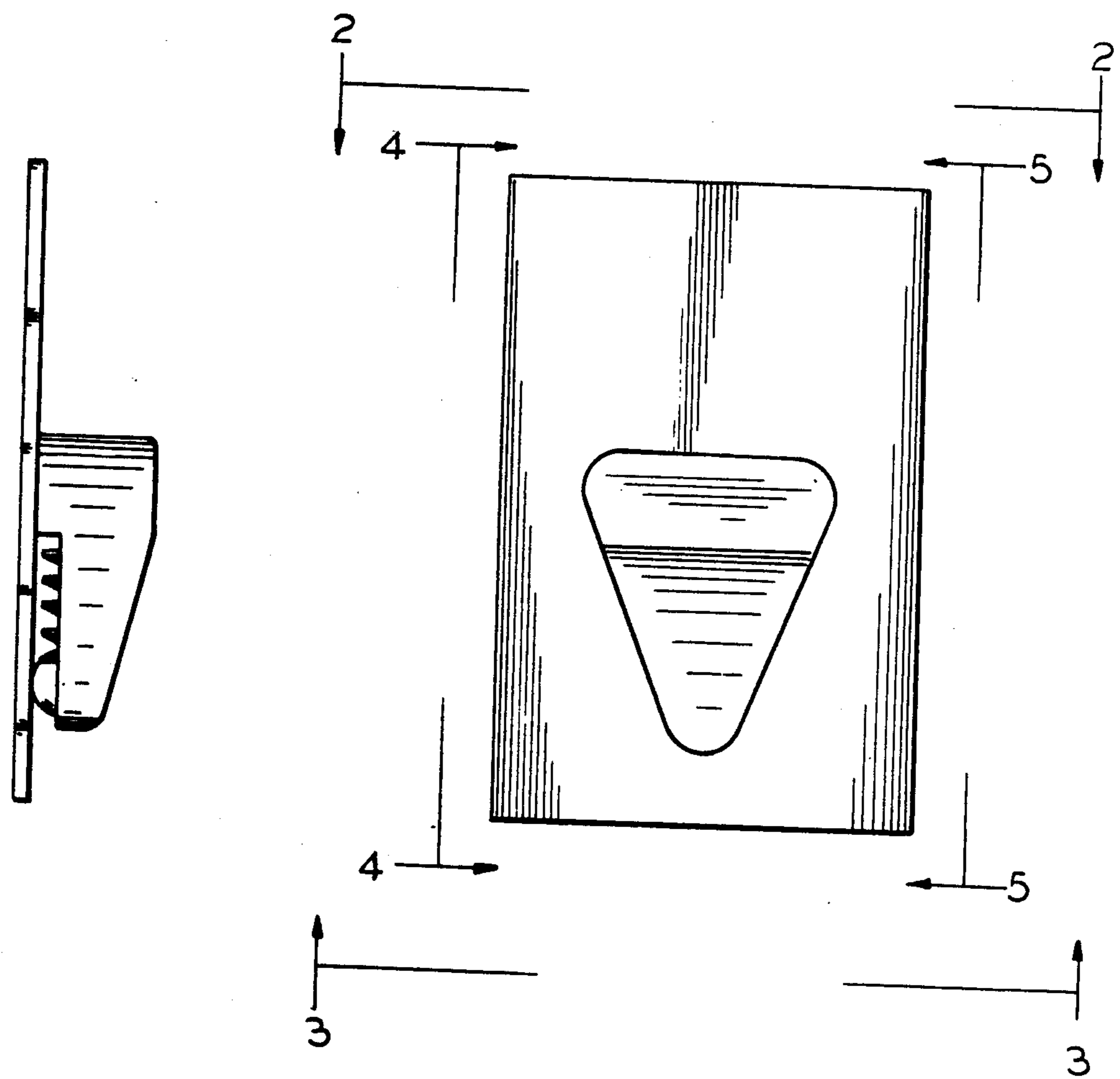
Primary Examiner—Bernard Ansher
Attorney, Agent, or Firm—Charles A. Laff

[57] **CLAIM**

The ornamental design for a message holder, as shown.

DESCRIPTION

FIG. 1 is a plan view showing the front of the message holder;
 FIG. 2 is an elevation view of the top of the message holder, looking down upon FIG. 1 from the plane of line 2—2;
 FIG. 3 is an elevation view of the bottom of the message holder, looking up upon FIG. 1, from the plane of line 3—3;
 FIG. 4 is an elevation view of the left side of the message holder, looking upon FIG. 1, from the plane of line 4—4;
 FIG. 5 is an elevation view of the right side of the message holder looking at FIG. 1 from the plane of line 5—5; and
 FIG. 6 is a plan view of the rear of the message holder.



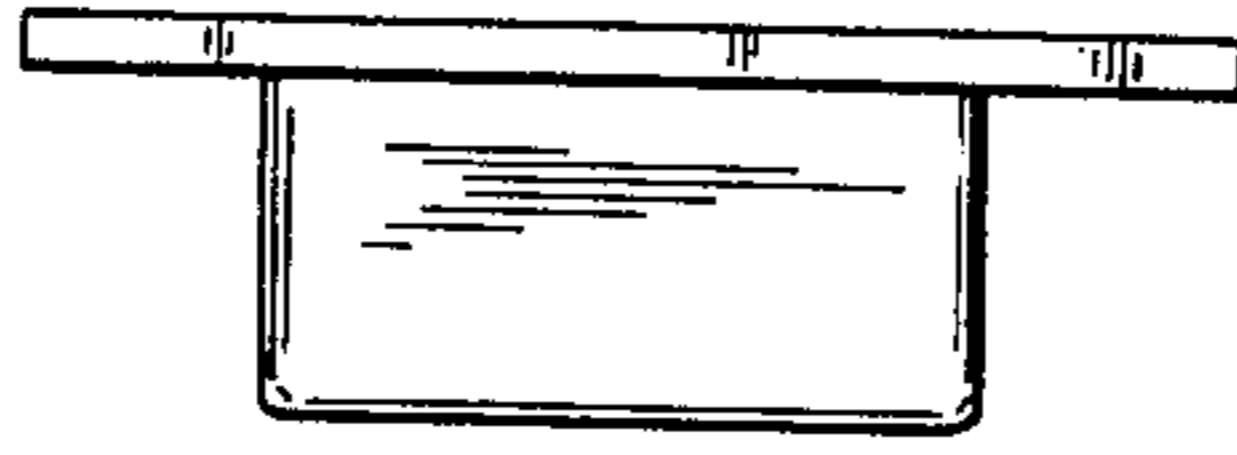


FIG. 2

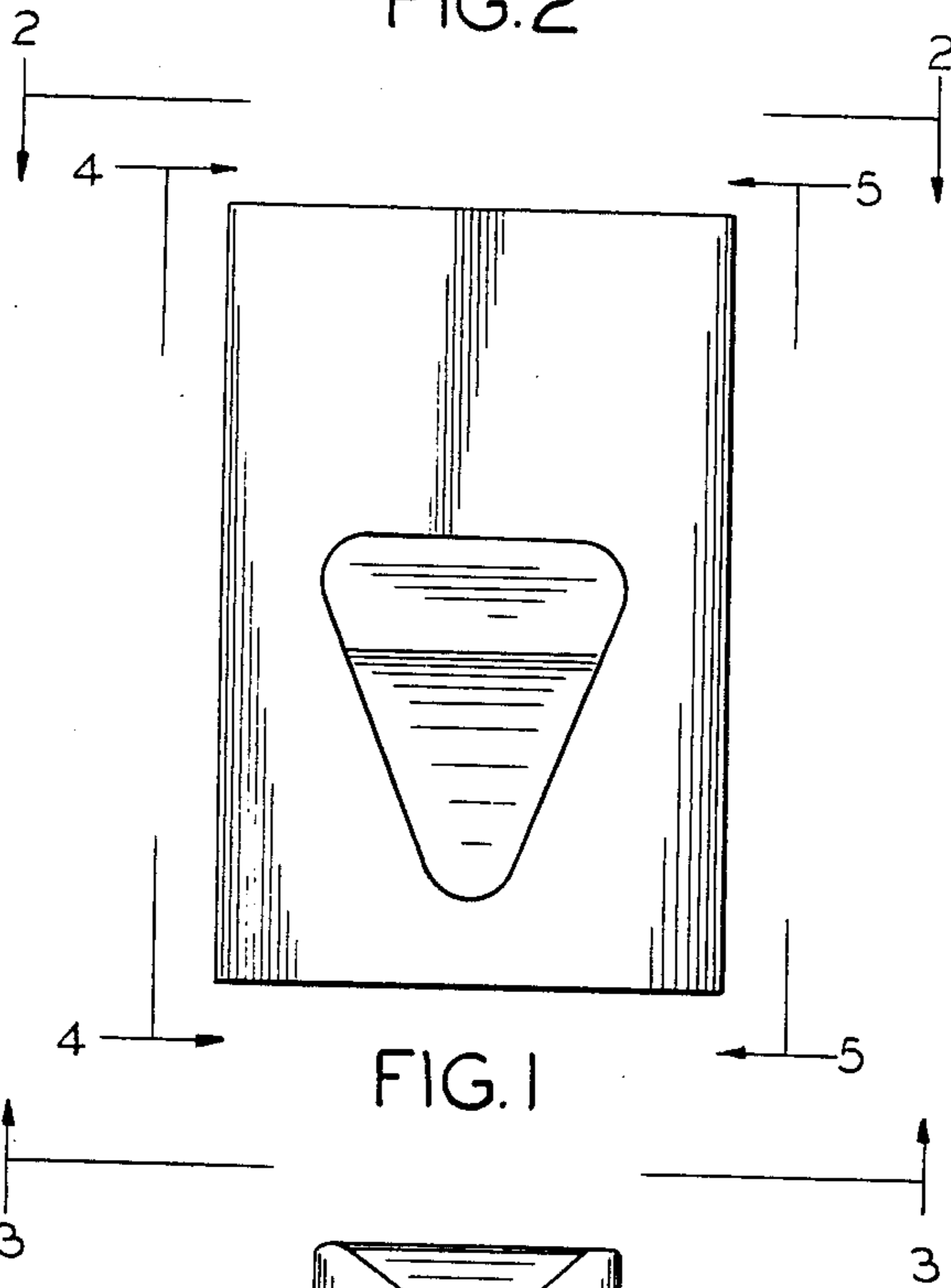


FIG. 1

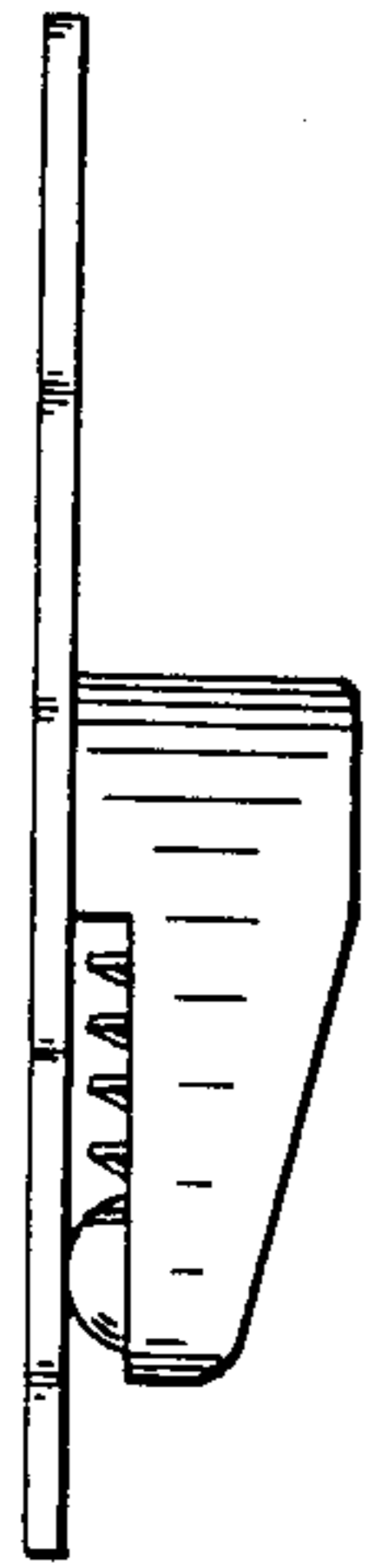


FIG. 4

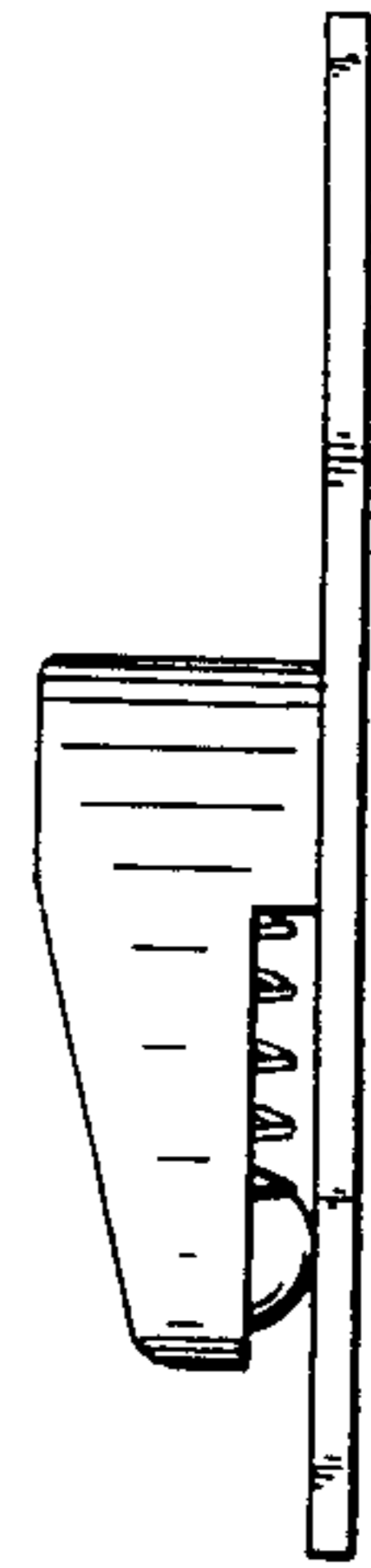


FIG. 5

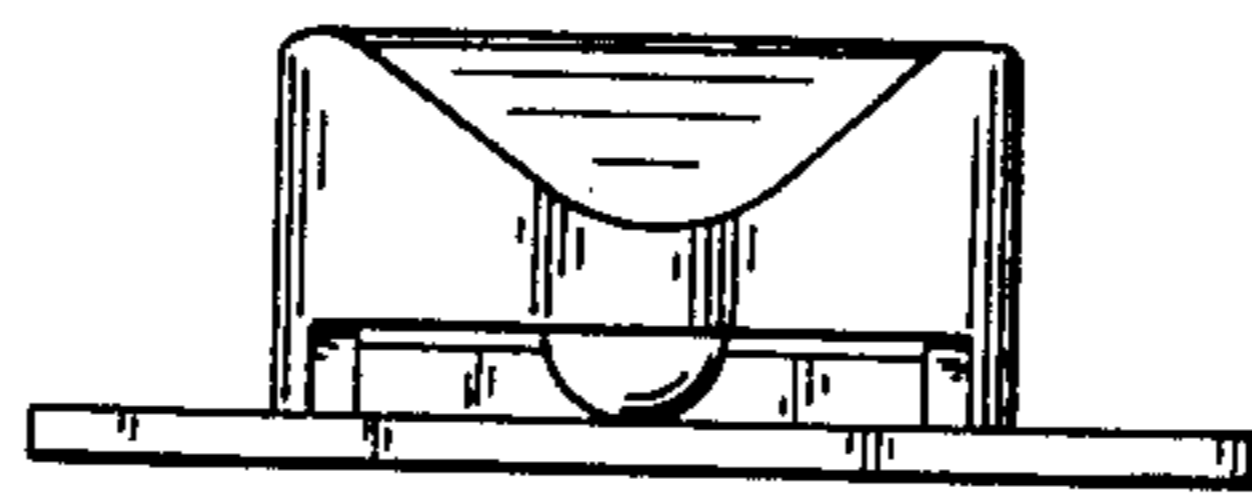


FIG. 3

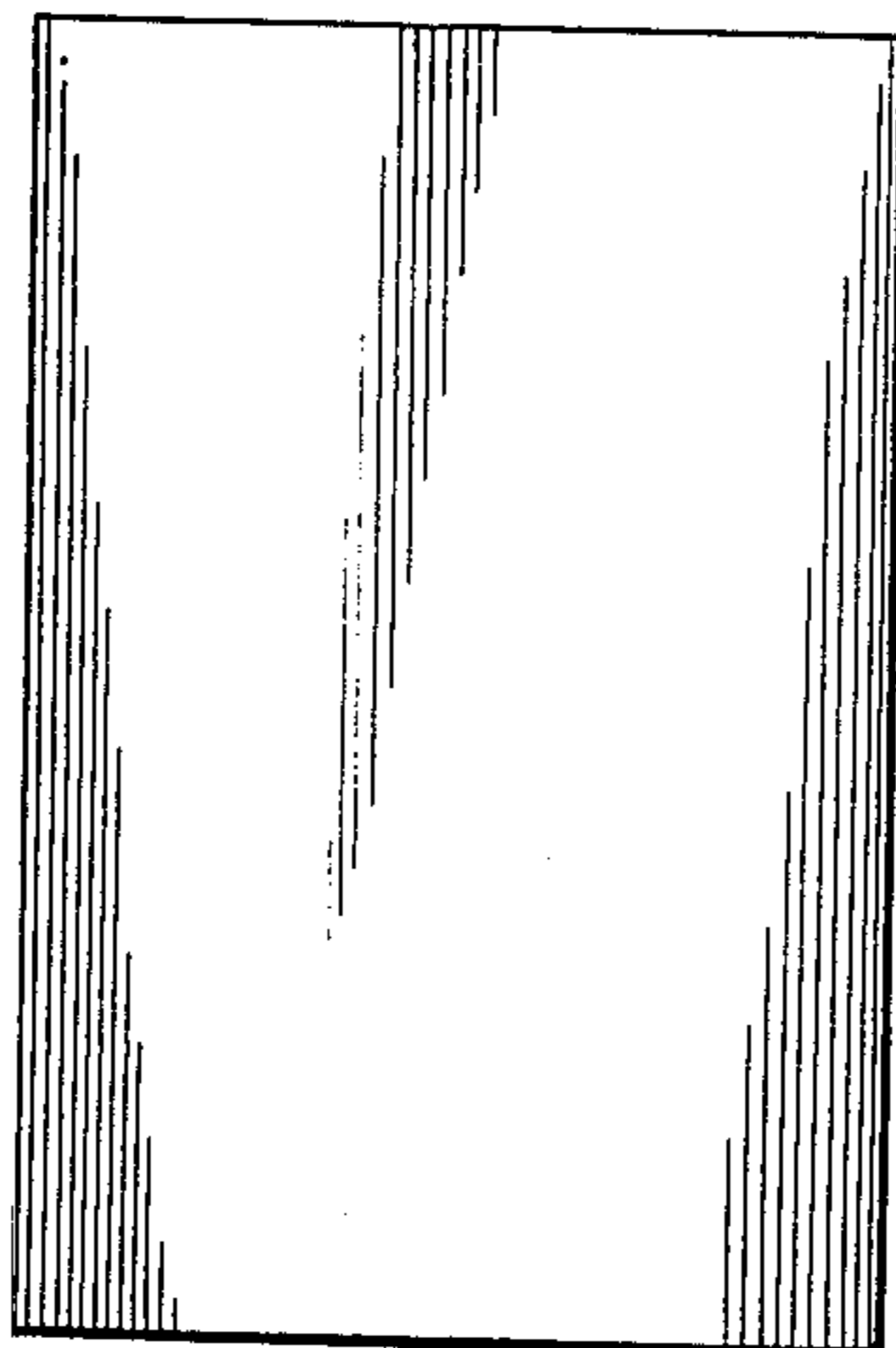


FIG. 6