

[54] **REINFORCEMENT BRACKET**
 [75] Inventor: **Genshi Taniwaki, Kumamoto, Japan**
 [73] Assignee: **Kongo Co., Ltd., Kumamoto, Japan**
 [**] Term: **14 Years**
 [21] Appl. No.: **781,494**
 [22] Filed: **Mar. 25, 1977**
 [51] Int. Cl. **D8-08**
 [52] U.S. Cl. **D8/354**
 [58] Field of Search **D8/354, 362, 366, 371, D8/373, 376, 380, 381, 382; 248/248, 247**

[56] **References Cited**

U.S. PATENT DOCUMENTS

D. 47,283	5/1915	Eagan	D8/380
D. 226,650	4/1973	Kennedy	D8/380 X
D. 244,006	4/1977	van der Ley	D8/366
3,966,056	6/1976	Larson	248/247 X

FOREIGN PATENT DOCUMENTS

4,276 of	1907	United Kingdom	248/248
----------	------	----------------	-------	---------

12,107 of 1907 United Kingdom 248/248

Primary Examiner—A. Hugo Word
Attorney, Agent, or Firm—Eric H. Waters

[57] **CLAIM**

The ornamental design for a reinforcement bracket, as shown and described.

DESCRIPTION

FIG. 1 is a front elevational view of a reinforcement bracket showing my new design, FIG. 2 is a rear elevational view thereof, FIG. 3 is a top plan view thereof, FIG. 4 is a right side elevational view thereof, FIG. 5 is a bottom plan view thereof, FIG. 6 is a left side elevational view thereof, FIG. 7 is a top, front and right side perspective view thereof, FIG. 8 is a top, rear and left side perspective view thereof, and FIG. 9 is a top, front and right side perspective view thereof.

The element of shelf, shown in broken lines in FIG. 9, are included for illustrative purposes only.

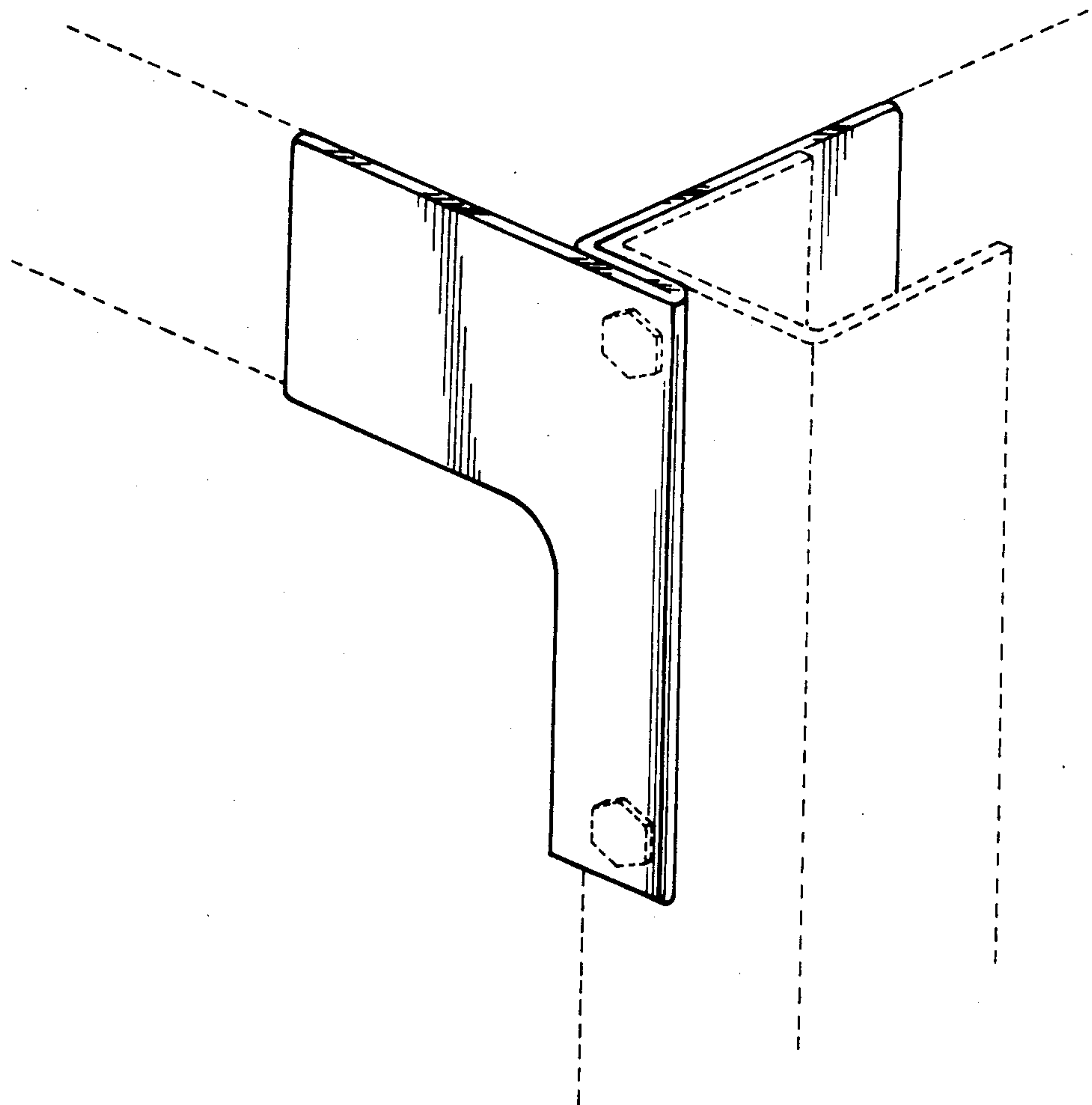


FIG. 1

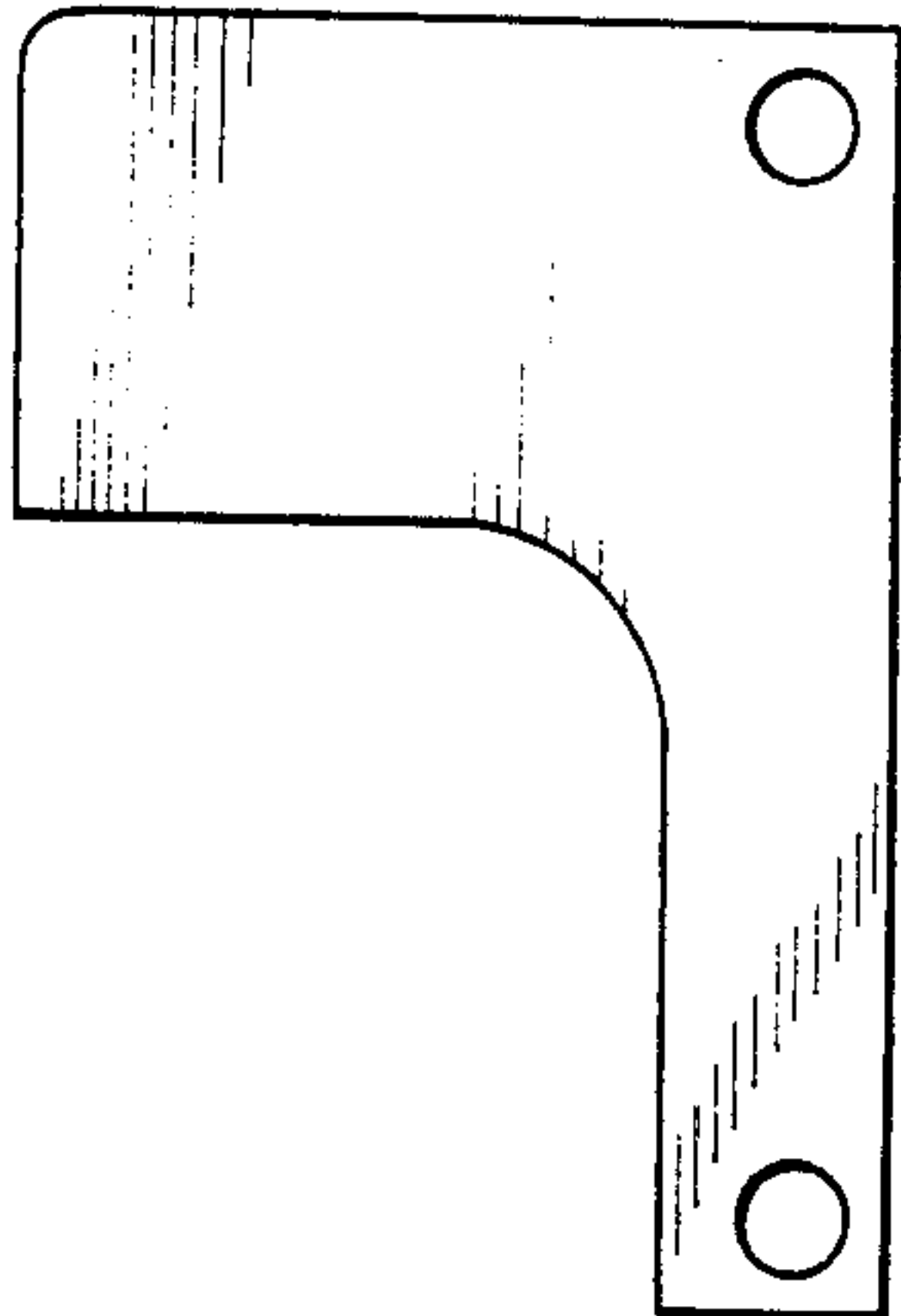


FIG. 2

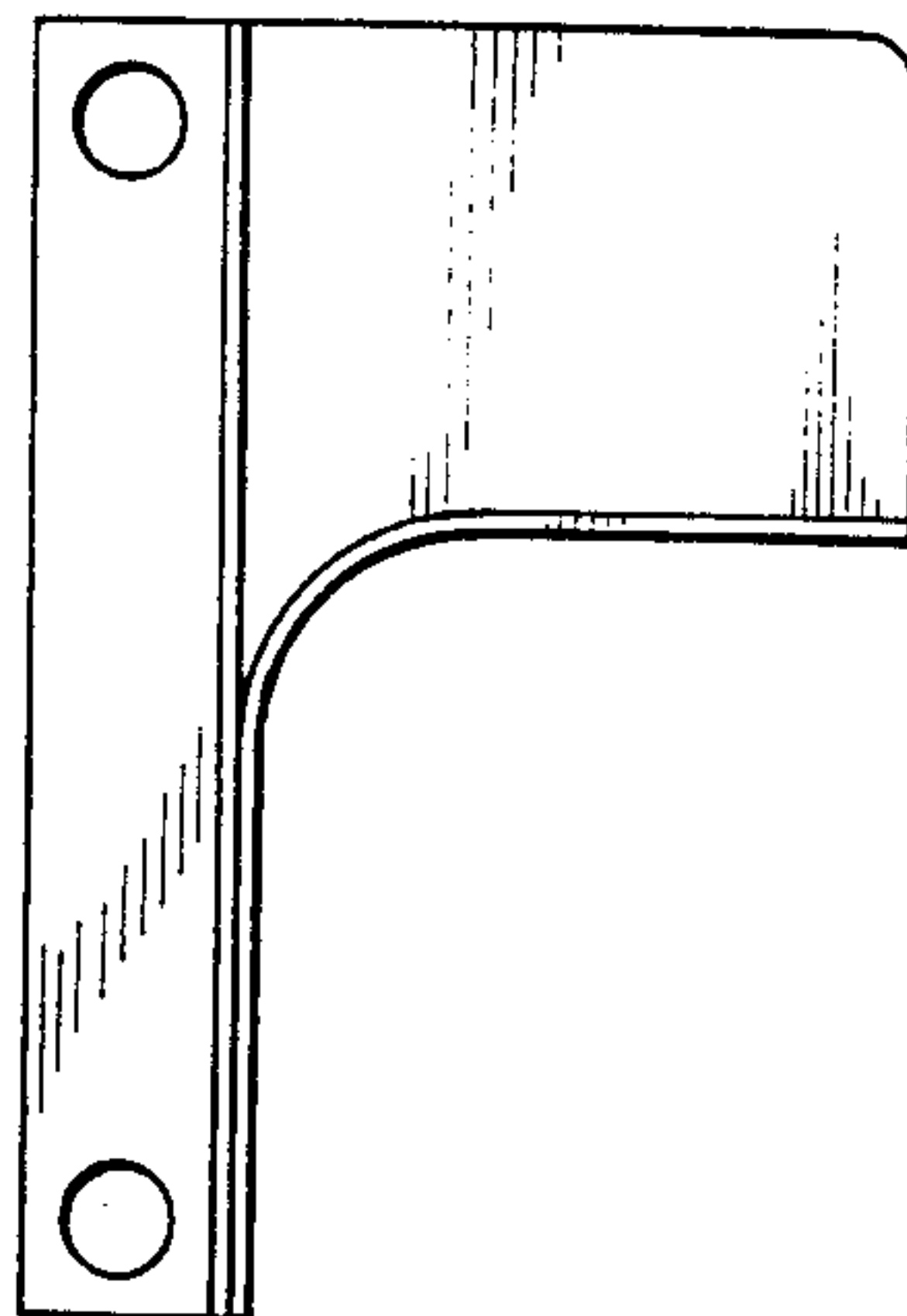


FIG. 3

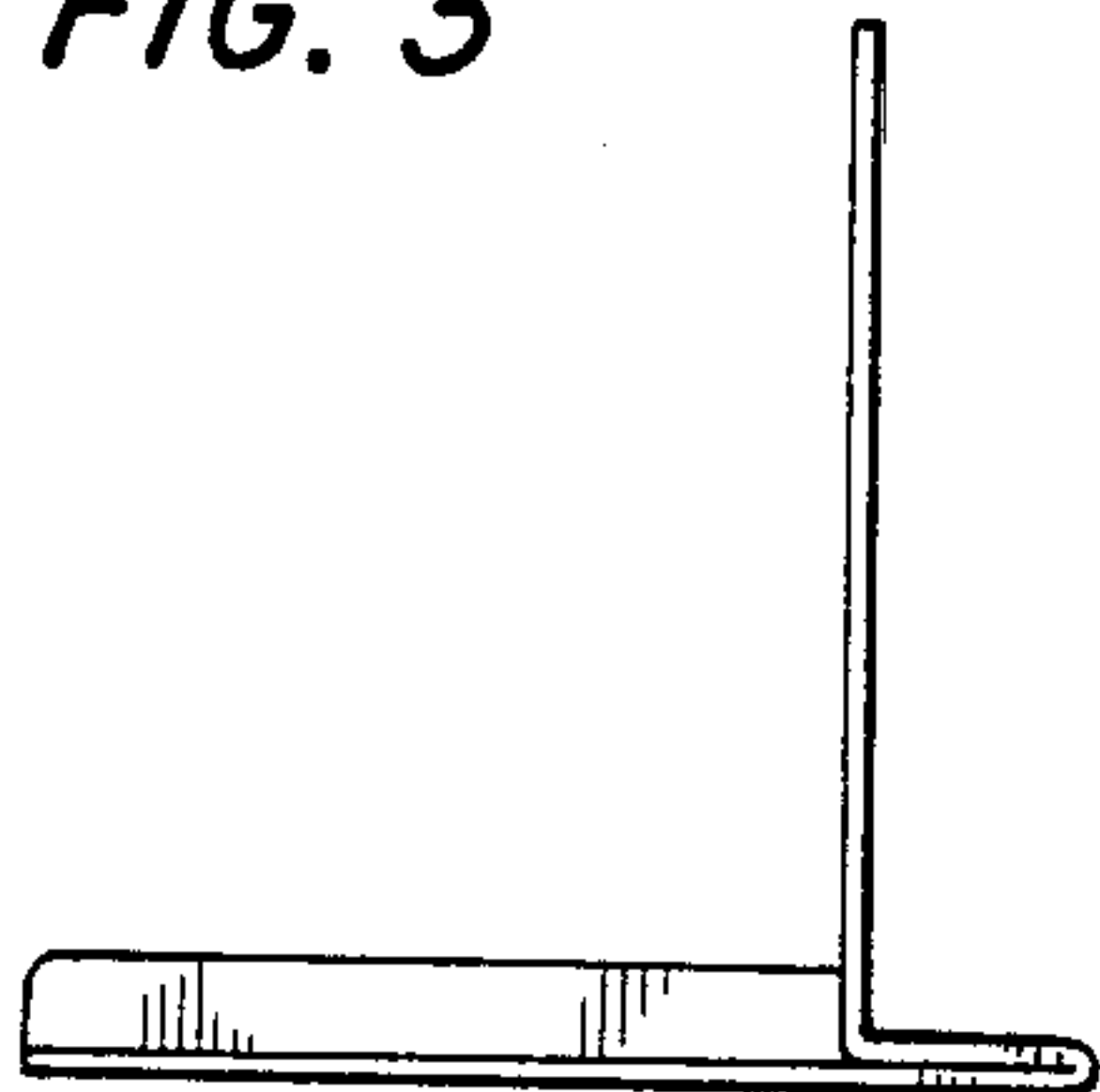


FIG. 4

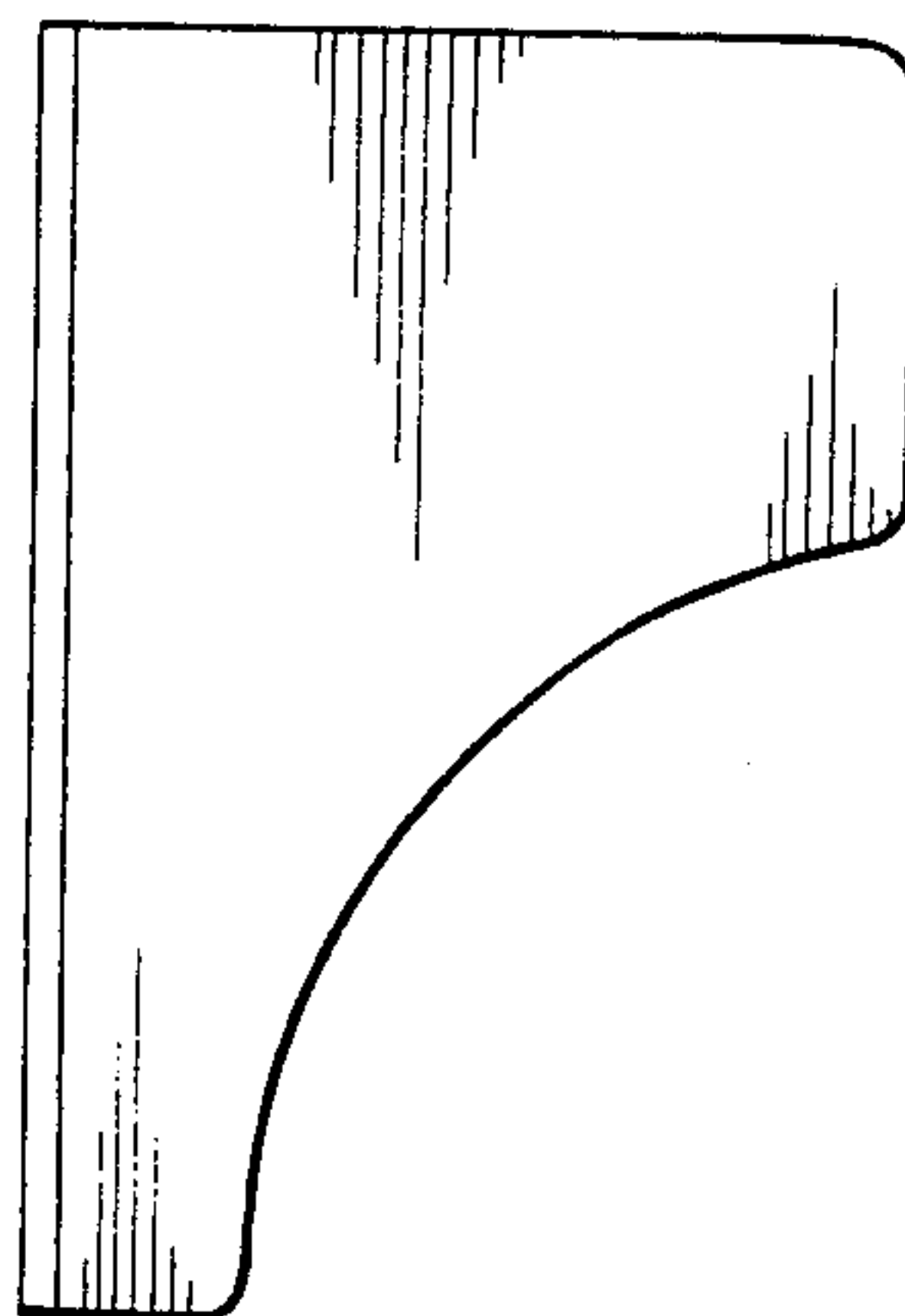


FIG. 5

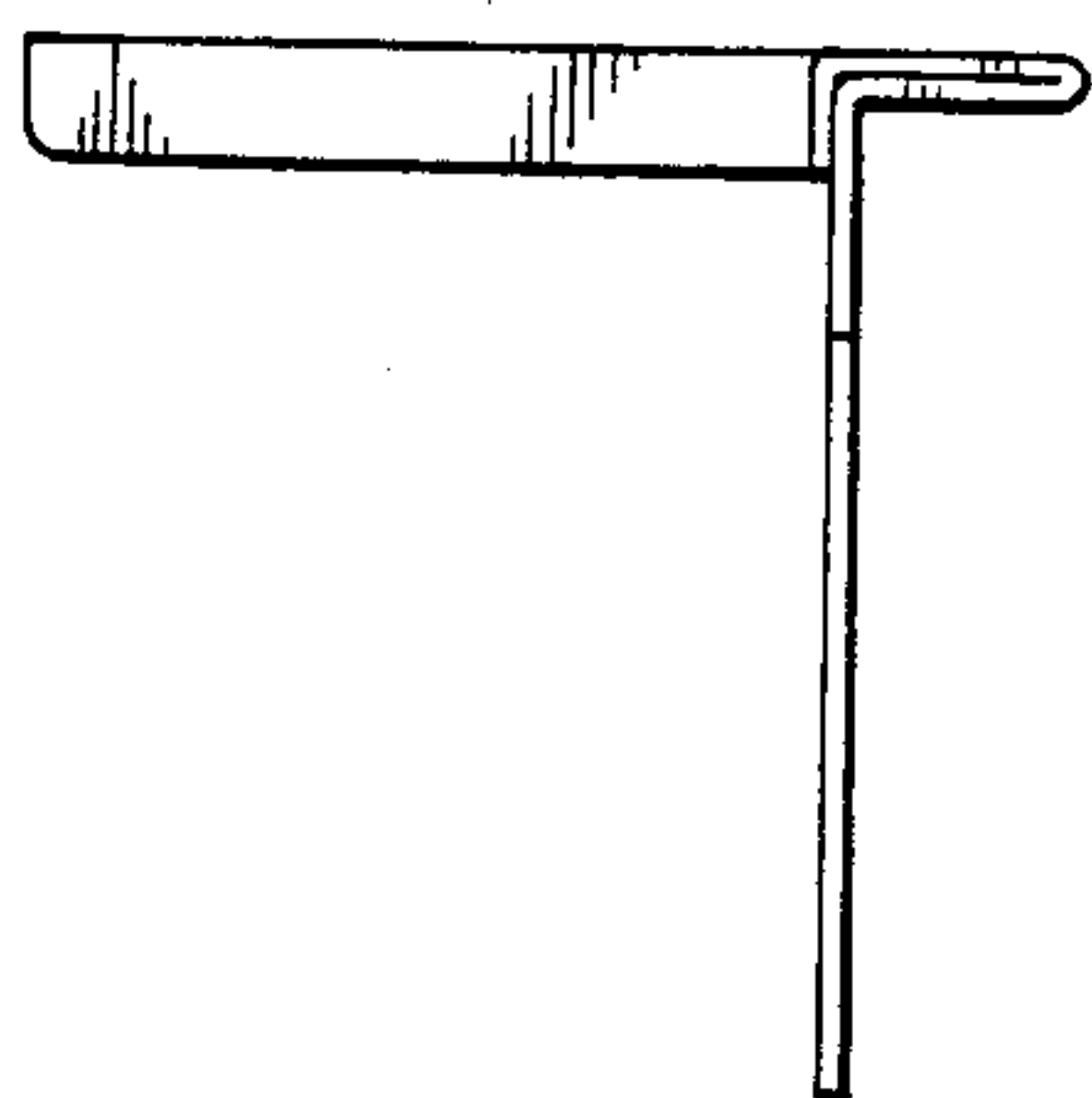


FIG. 6

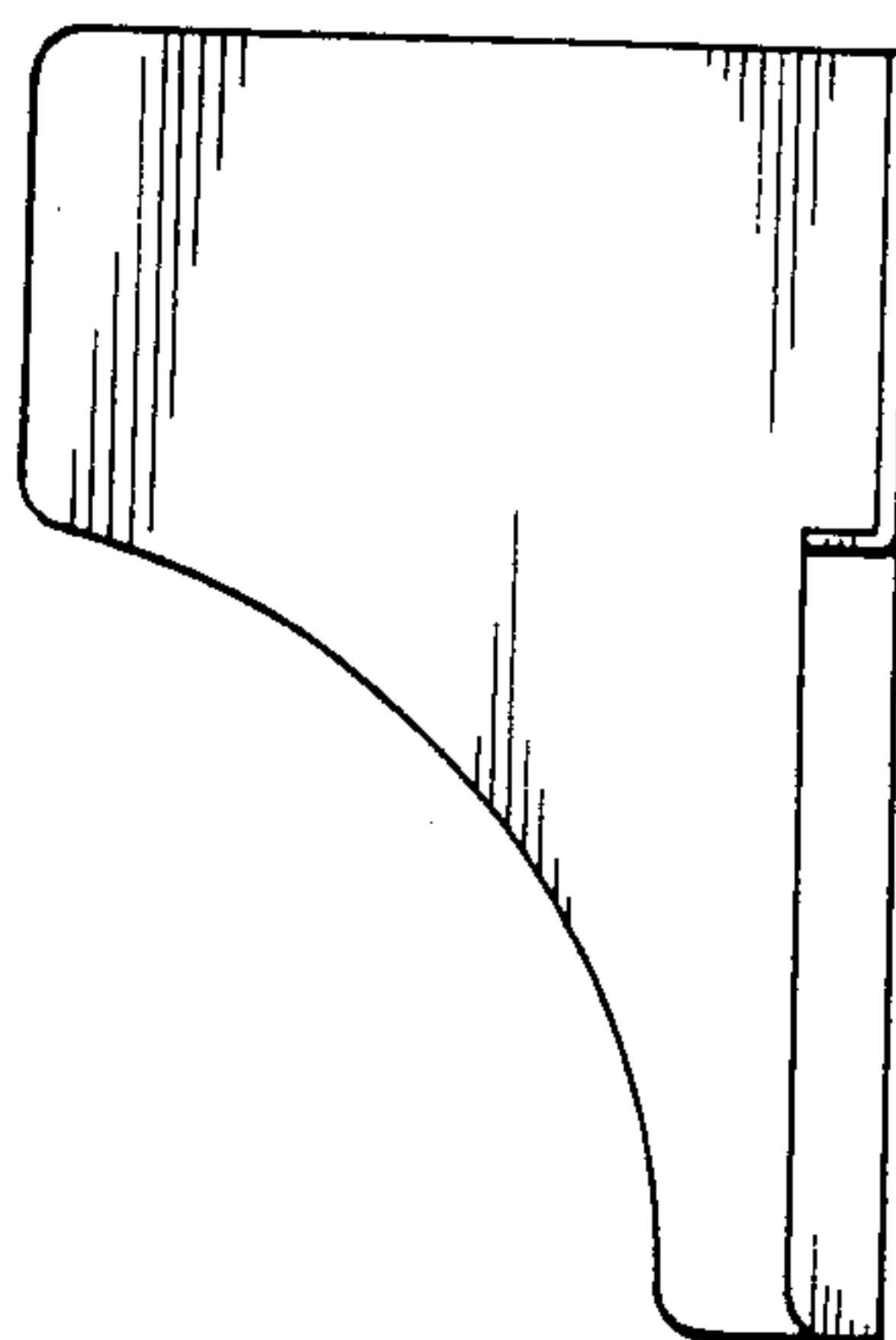


FIG. 7

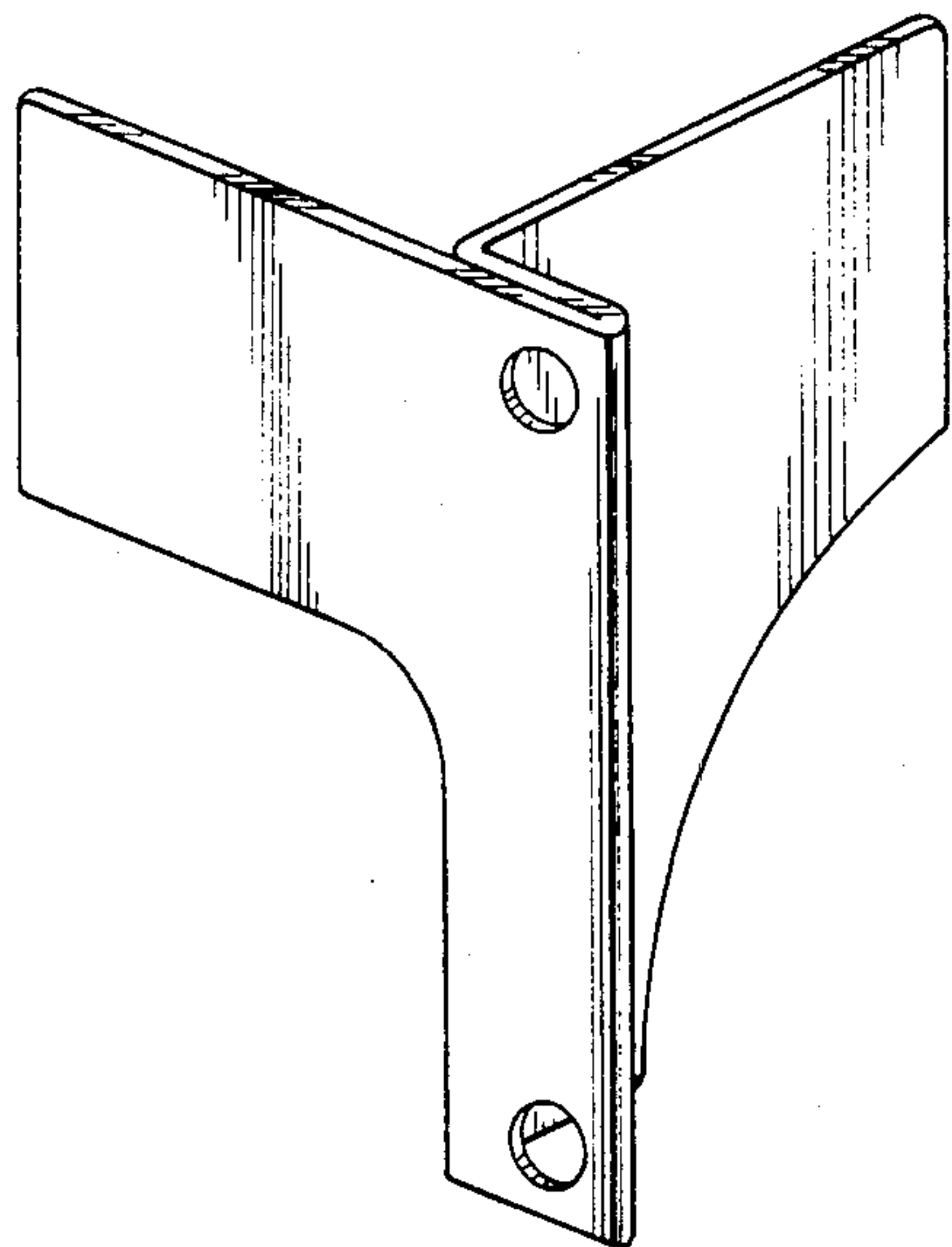


FIG. 8

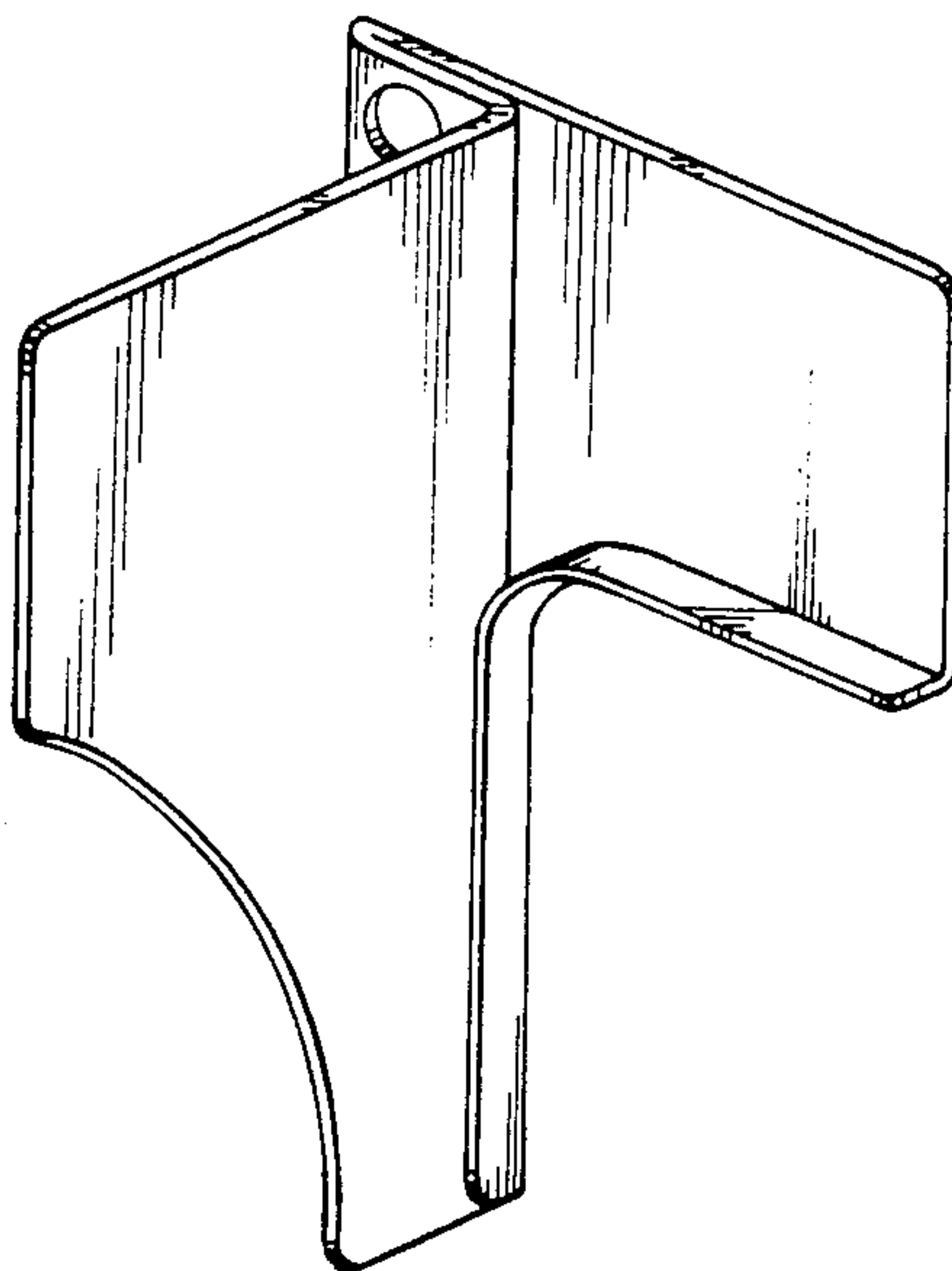


FIG. 9

