

[54] IMPACT WRENCH

[75] Inventors: Robert D. Roth, Utica; Raymond J. Schaedler, Hartford, both of N.Y.

[73] Assignee: Chicago Pneumatic Tool Company, New York, N.Y.

[**] Term: 14 Years

[21] Appl. No.: 769,708

[22] Filed: Feb. 17, 1977

[51] Int. Cl. D8-05

[52] U.S. Cl. D8/61

[58] Field of Search D8/61; 81/57

[56]

References Cited

U.S. PATENT DOCUMENTS

D. 168,215 11/1952 Doeden D8/61
D. 176,846 2/1956 Fischer et al. D8/61

OTHER PUBLICATIONS

Skil 1973 Tool Catalog I-113, p. 45, air impact wrench Model 1108 at bottom right of page.

Primary Examiner—Alan P. Douglas

Attorney, Agent, or Firm—Stephen J. Rudy

[57]

CLAIM

The ornamental design for an impact wrench, as shown and described.

DESCRIPTION

FIG. 1 is a perspective left and top view of an impact wrench embodying the design of our invention; and FIG. 2 is a perspective right and bottom side view of the same.

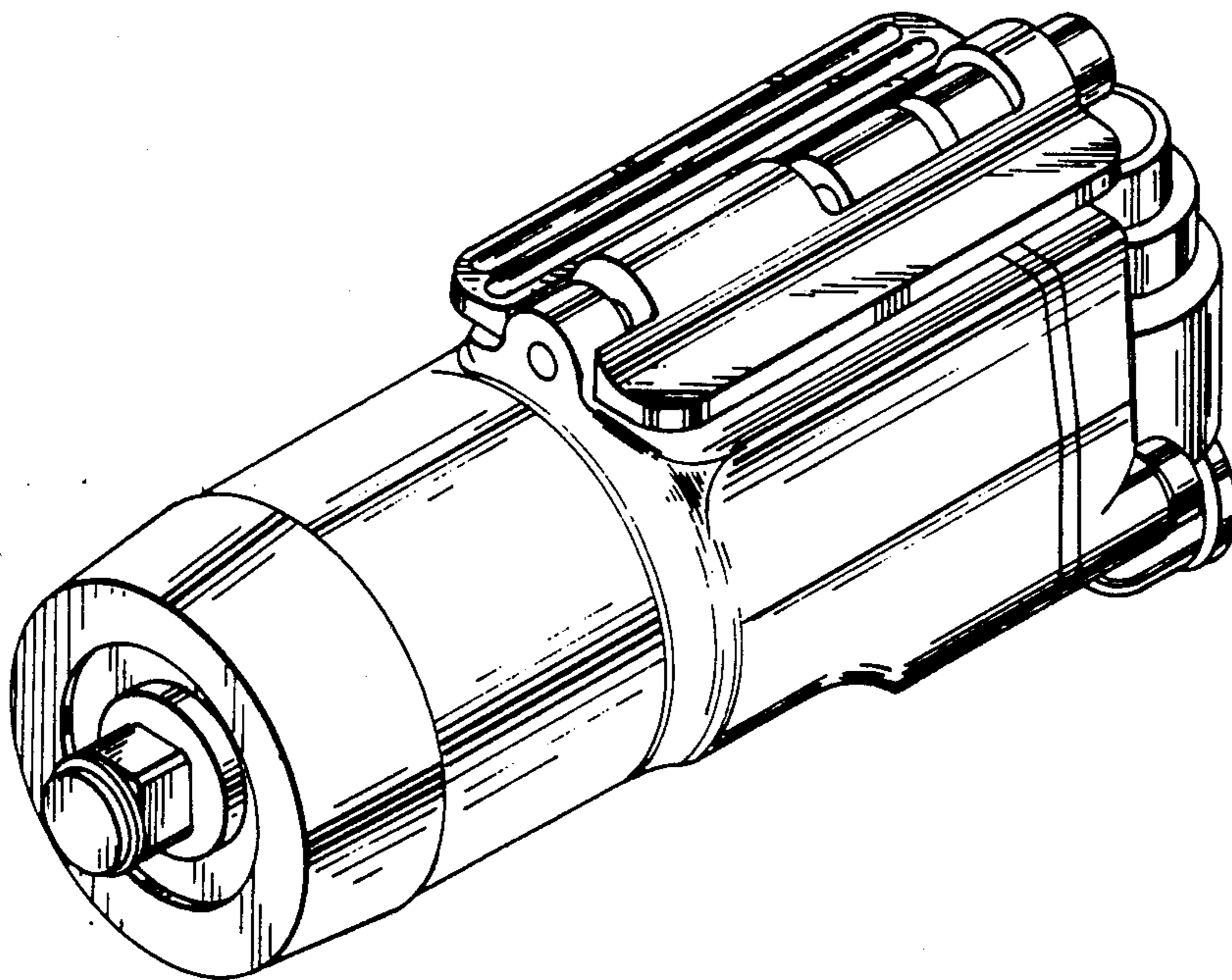


FIG. 1

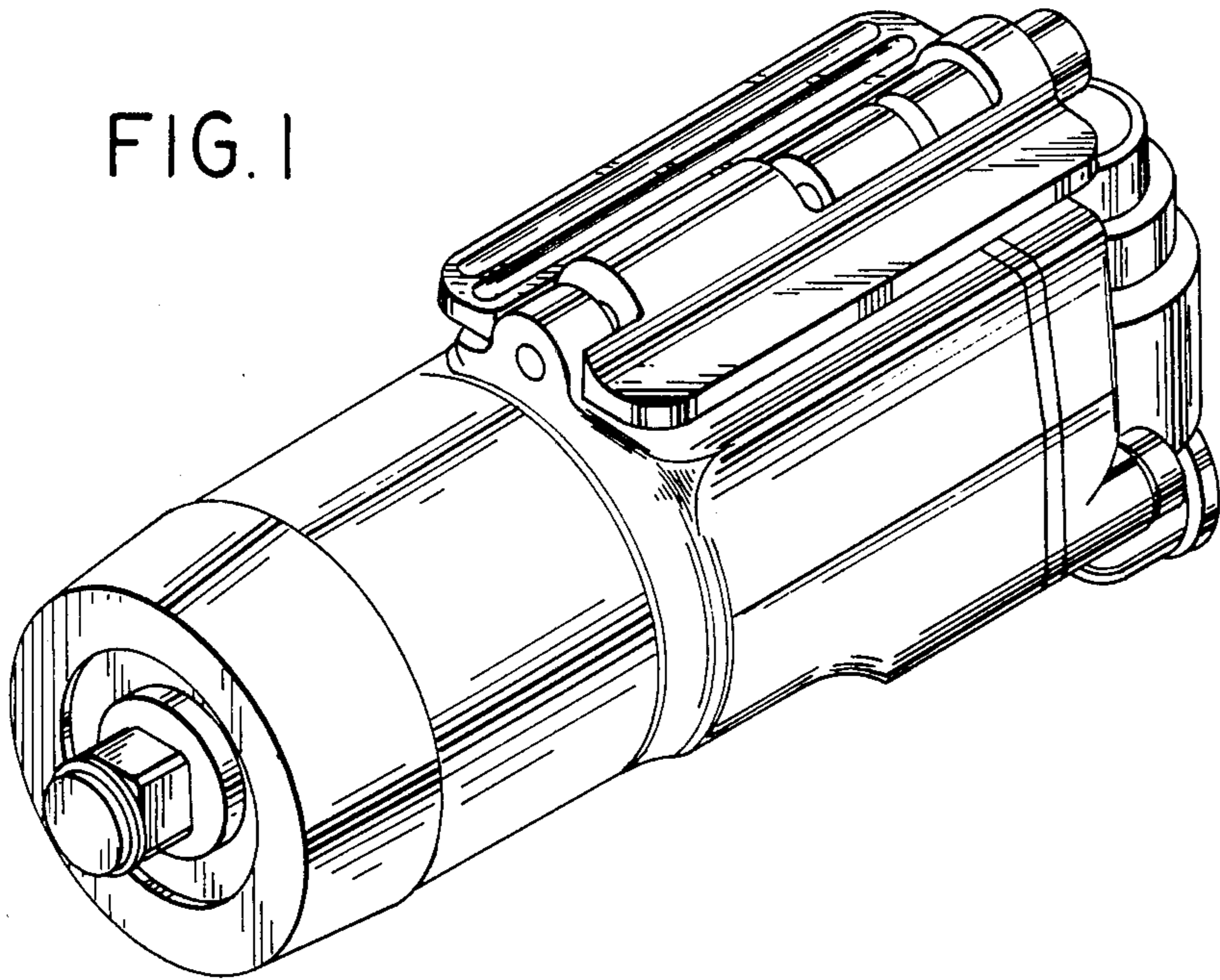


FIG. 2

