

[54] FIRE GRATE

[76] Inventor: Norman F. Dacey, Box 545, Port Hope, Ontario, Canada, L1A 3Z4

[\*\*] Term: 14 Years

[21] Appl. No.: 790,067

[22] Filed: Apr. 22, 1977

[30] Foreign Application Priority Data

Apr. 15, 1977 [CA] Canada ..... 15-04-77-4

[51] Int. Cl. .... D7-08

[52] U.S. Cl. .... D7/207

[58] Field of Search ..... D7/206-213; 216/164, 165

[56] References Cited

U.S. PATENT DOCUMENTS

Re. 28,586 10/1975 Dahlquist ..... D6/165 X

D. 195,494	6/1963	Buchanan .....	D7/207
D. 222,940	2/1972	Eaves .....	D7/207
D. 235,727	7/1975	Parzialo .....	D7/207
2,414,033	1/1947	Flaacke .....	126/164
2,985,165	5/1961	Peterson et al. ....	126/165

OTHER PUBLICATIONS

Institutions, Nov. 1958, p. 35, "Andirons", item.

Primary Examiner—James R. Largen

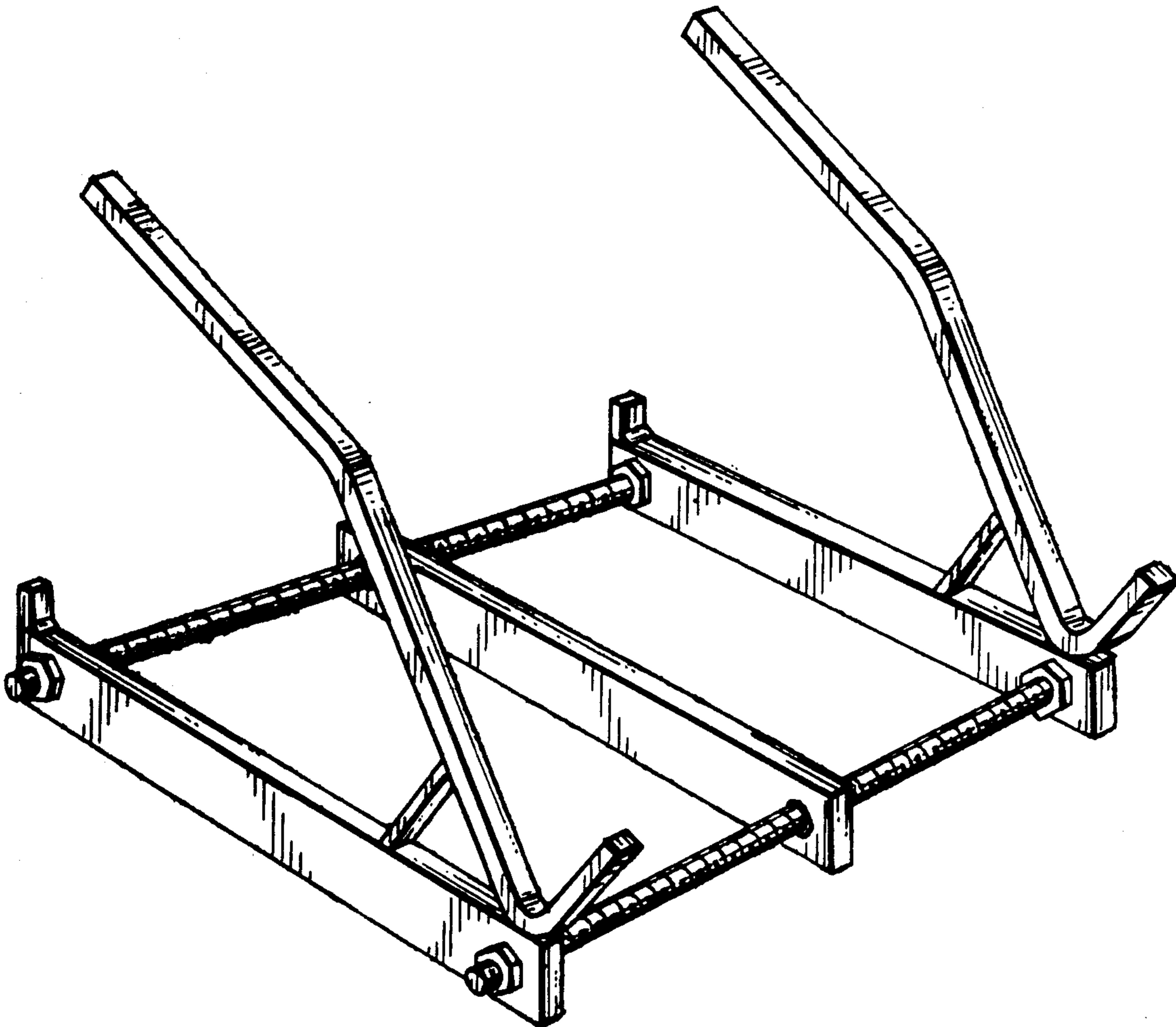
Attorney, Agent, or Firm—R. D. McKenzie

[57] CLAIM

The ornamental design for a fire grate, substantially as shown.

DESCRIPTION

FIG. 1 is a perspective view taken from the top, rear and one side of a fire showing my new design; and FIG. 2 is a perspective view taken from the bottom, rear and one side thereof.



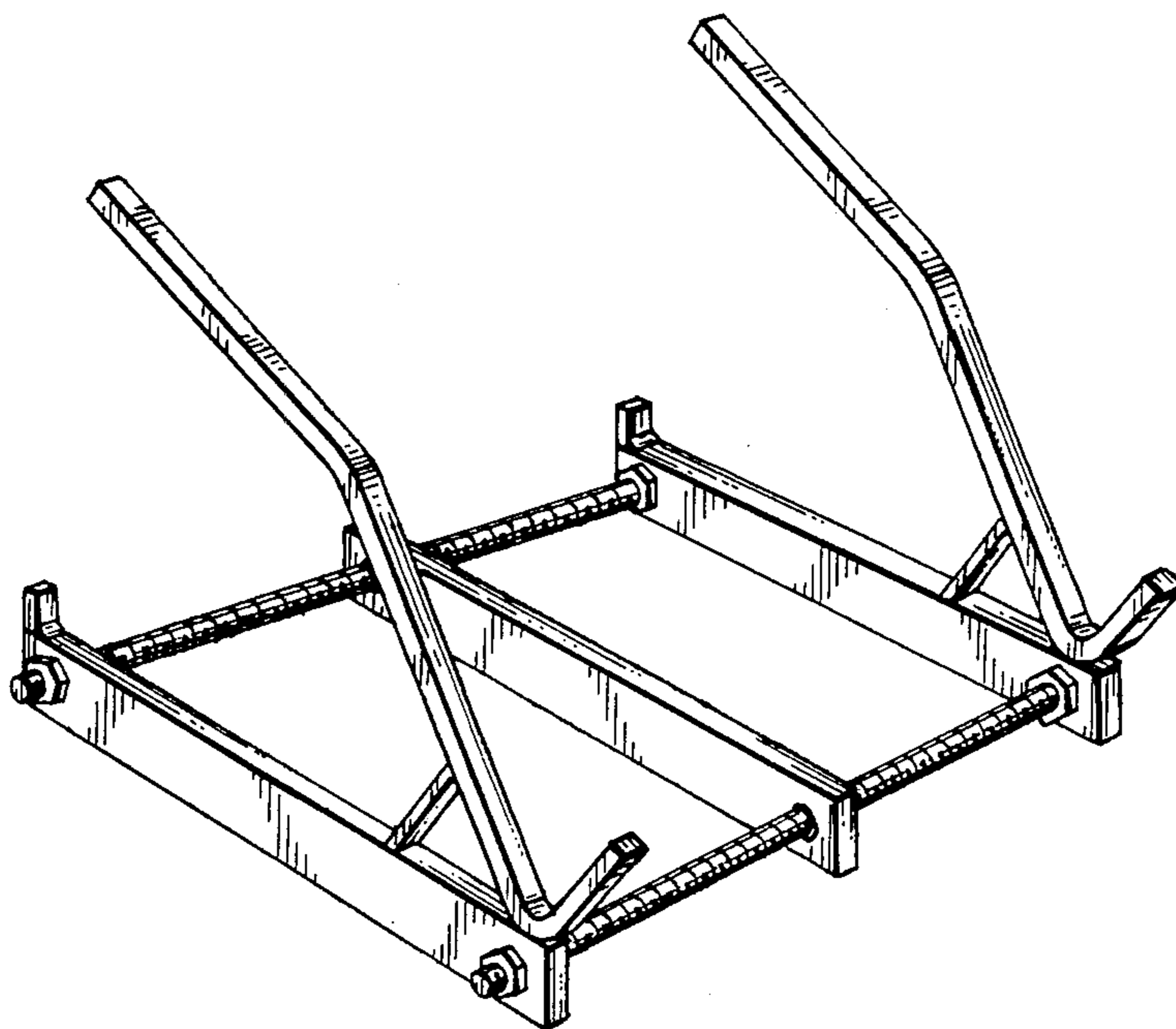


FIG. 1.

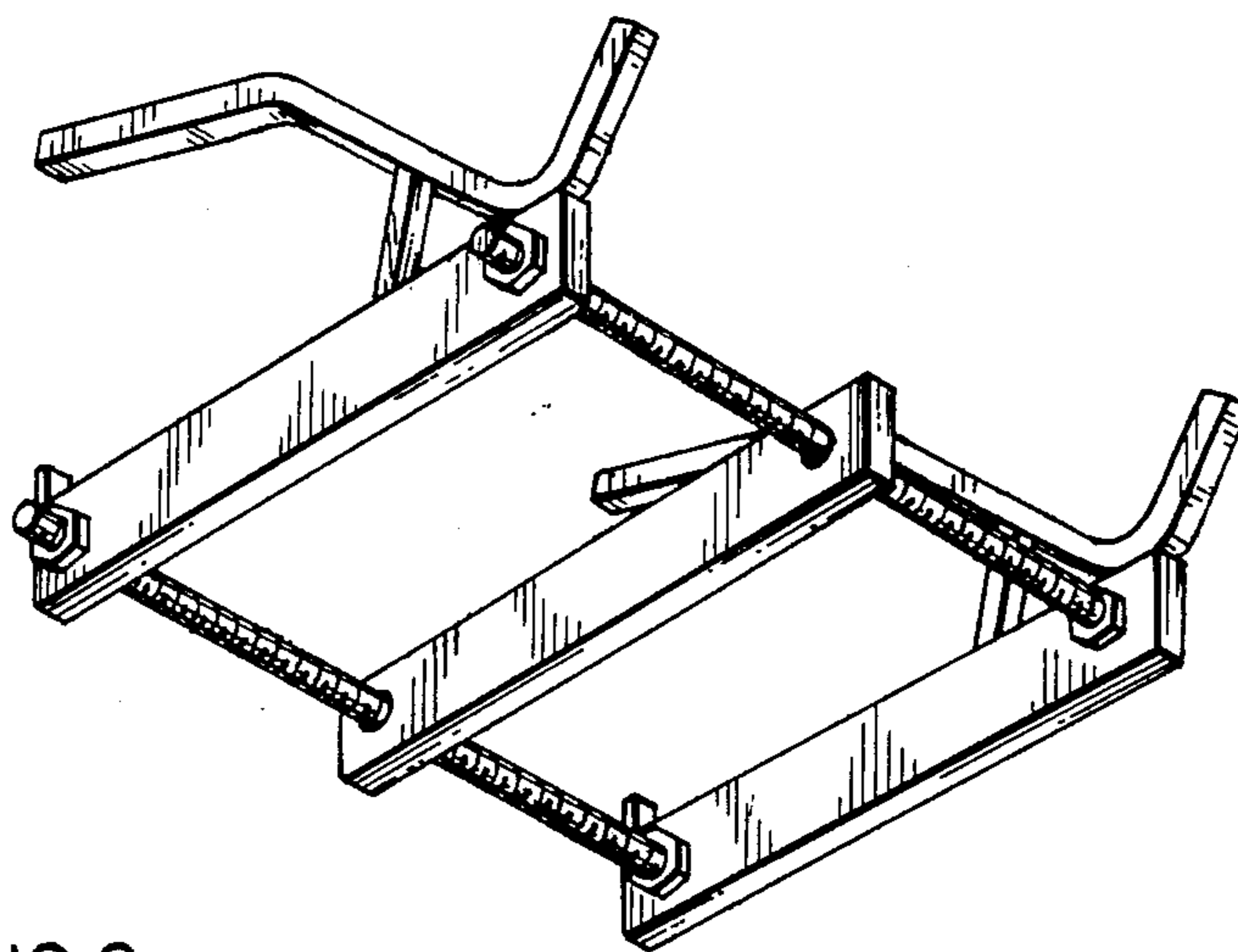


FIG. 2.