

[54] RETRACTABLE SHOE CLEANER

2,857,173 10/1958 Benander 280/164 A
3,740,072 6/1973 Veith 280/164 A

[76] Inventor: Victor K. Futami, 319 N. Vancouver Ave., Los Angeles, Calif. 90022

Primary Examiner—Wallace R. Burke
Assistant Examiner—Catherine Kemper
Attorney, Agent, or Firm—Warren L. Patton

[**] Term: 14 Years

[21] Appl. No.: 768,374

[57] CLAIM

[22] Filed: Feb. 14, 1977

The ornamental design for a retractable shoe cleaner, substantially as shown and described.

[51] Int. Cl. D7—05; D12—16

[52] U.S. Cl. D7/182; D12/203

[58] Field of Search D7/182; D12/203;
15/112, 236 R, 236 A, 237, 238, 239, 161, 215;
280/164 A; 296/1 F

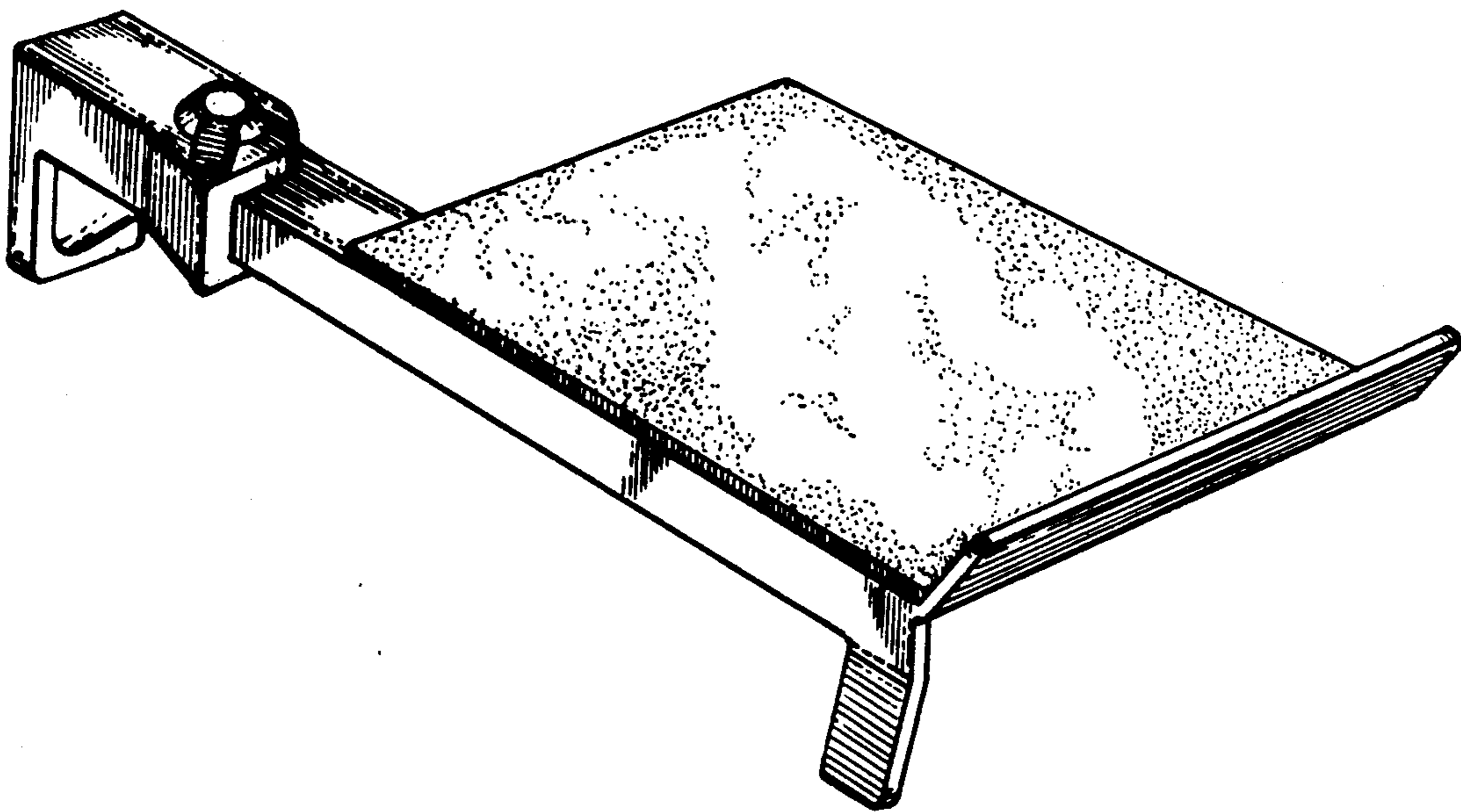
DESCRIPTION

FIG. 1 is a top perspective view of a retractable shoe cleaner, showing my new design;
FIG. 2 is a right side elevational view thereof;
FIG. 3 is a rear elevational view thereof;
FIG. 4 is a bottom plan view thereof, shown in the extended position;
FIG. 5 is a bottom plan view thereof, shown in the retracted position.

[56] References Cited

U.S. PATENT DOCUMENTS

1,316,689 9/1919 Cox 280/164 A



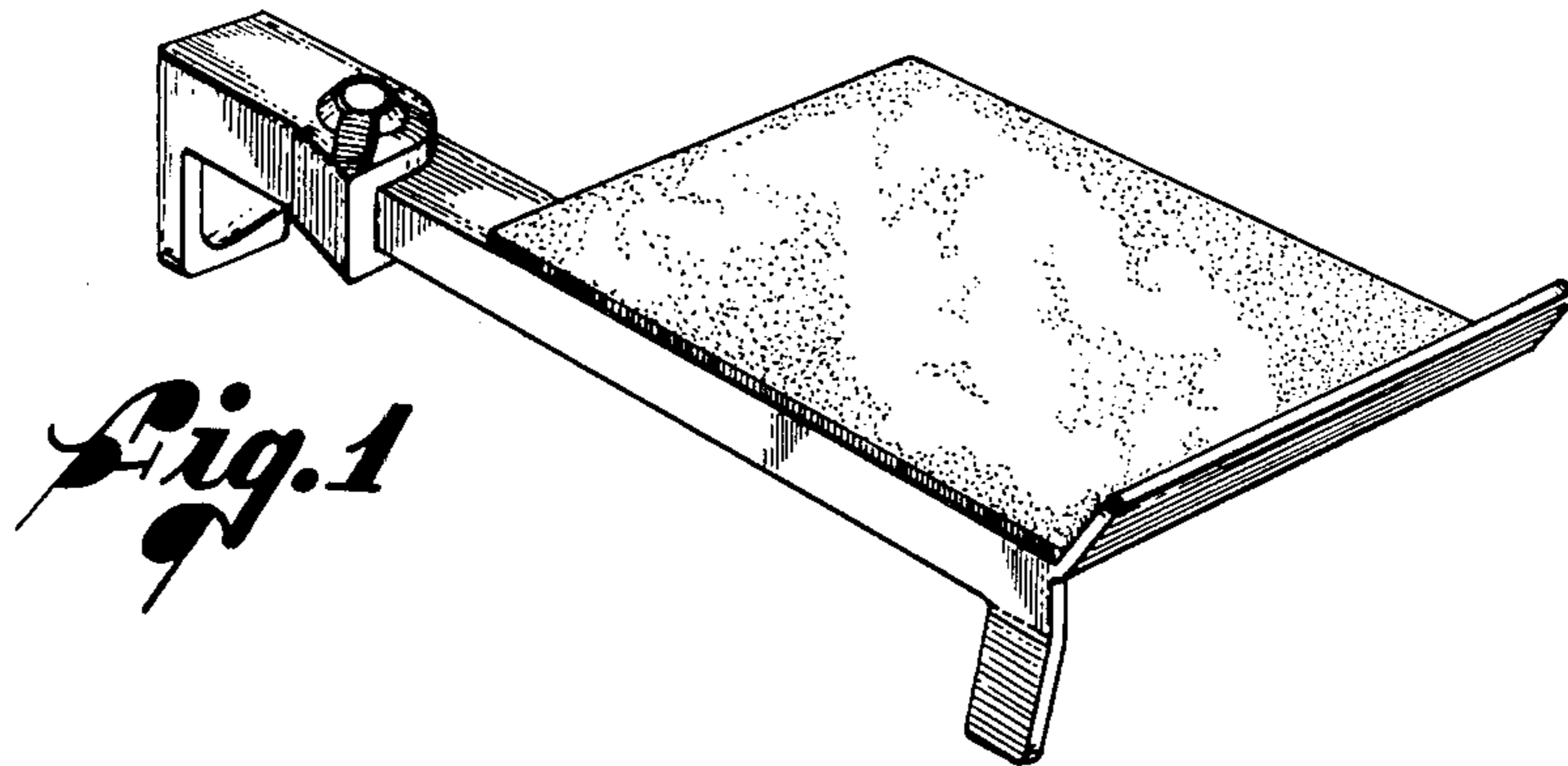


Fig. 2

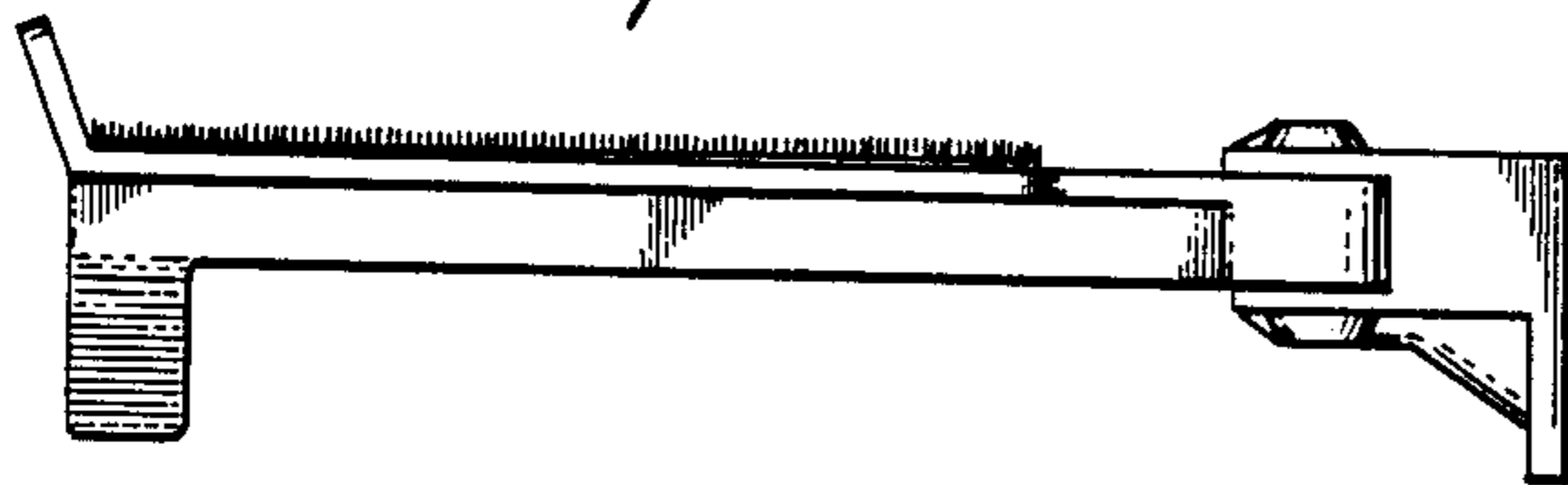


Fig. 3

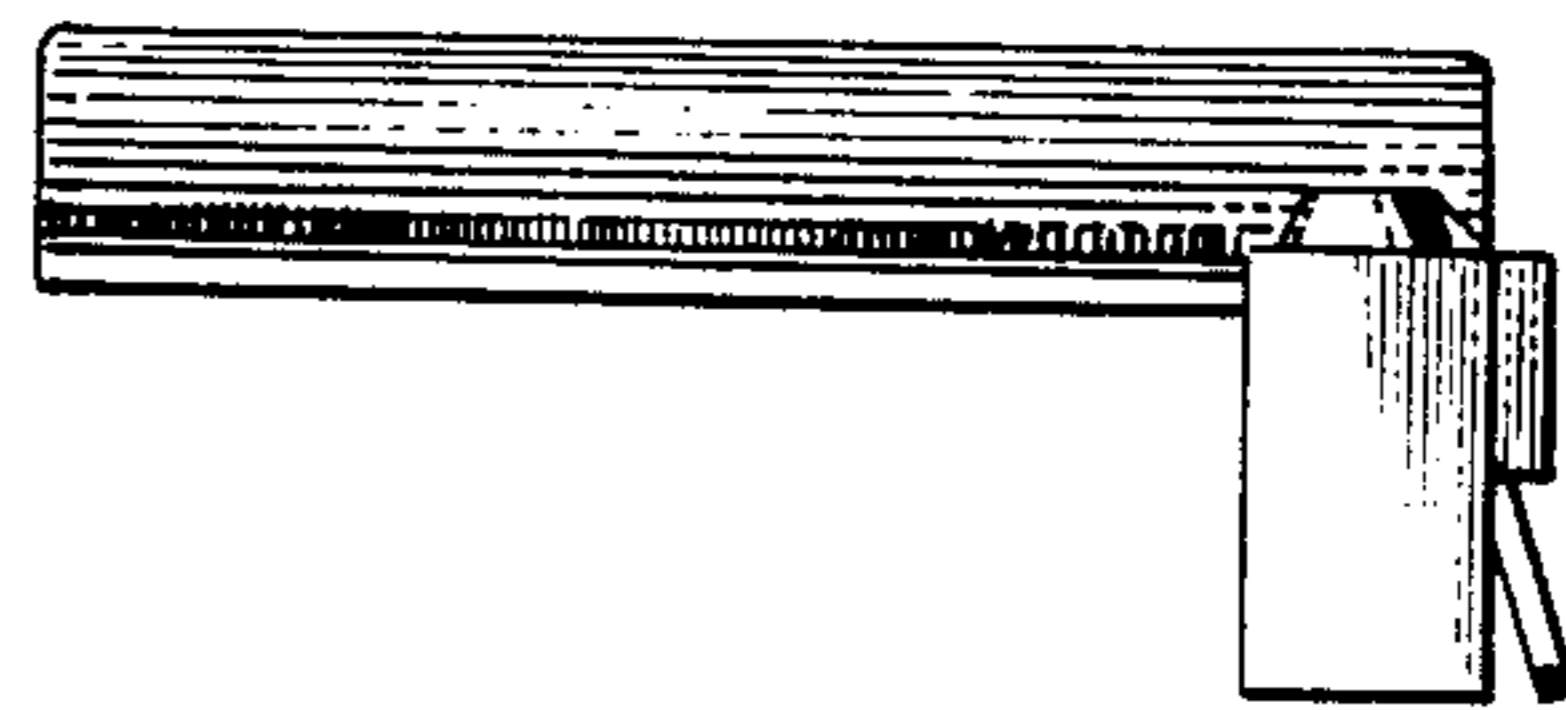


Fig. 4

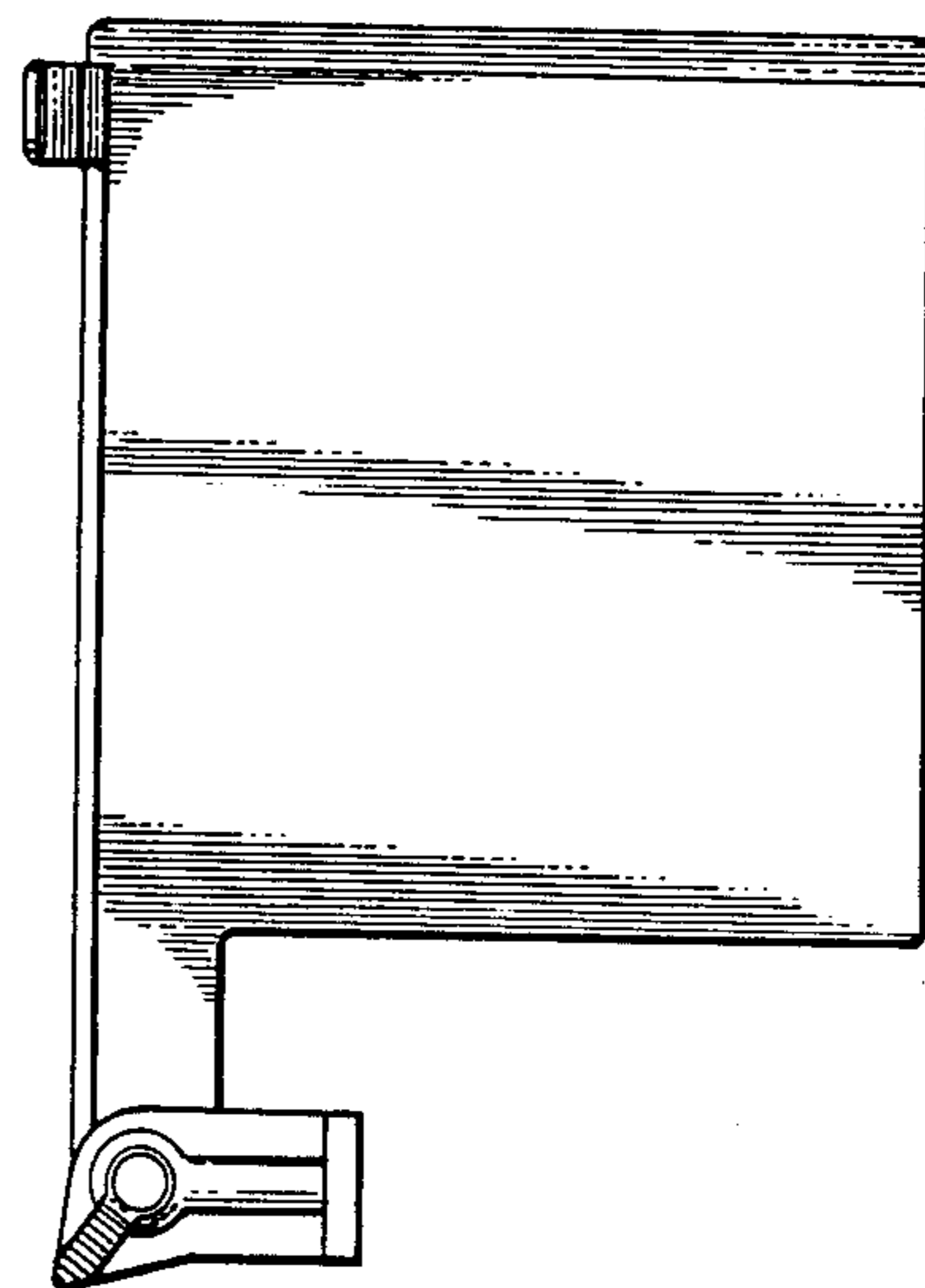
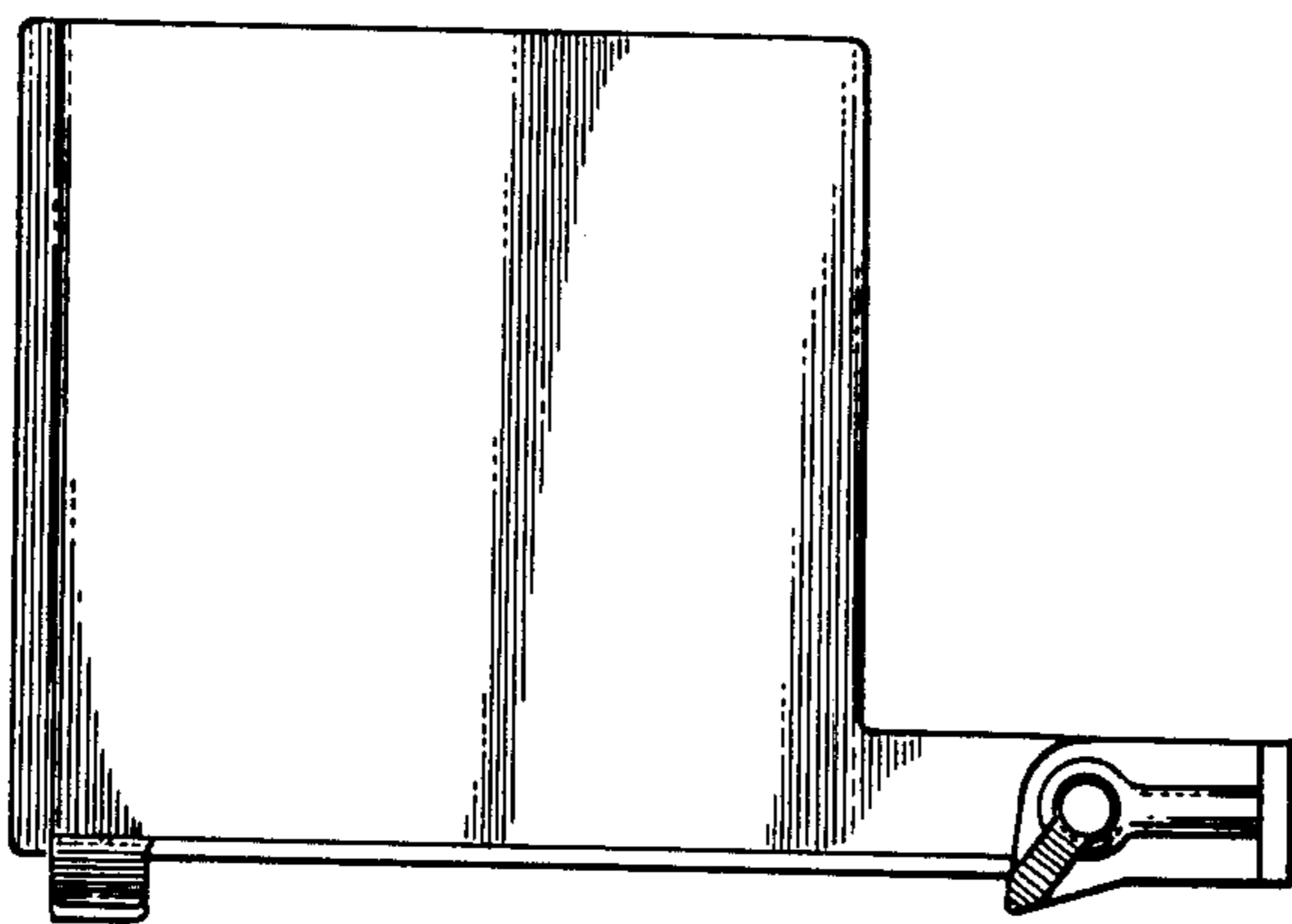


Fig. 5